

Item	Part No.	Description
1	YAJ15-30.01	Cover
2	YAJ301.14	O-Ring, (Ex: 170.01 In: 164.77 Cs: 2.62)
3	YAJ15-30.03	Oil Tank
5	YAJ15-30.05	Dustproof Ring

Item	Part No.	Description
6	YAJ15-30.06	Guide Ring
7	PCDM3600V2P07	O-Ring, (Ex: 105.08 In: 98.02 Cs: 3.53)
8	YAJ15-30.08	Outer Sleeve
9	YAJ15-30.09	O-Ring, (Ex: 106.51 In: 101.27 Cs: 2.62)

**NOTE:** It is our policy to continually improve products and as such we reserve the right to alter data, specifications and component parts without prior notice. There may be alternative versions of this product, please contact us should you require this information.

**IMPORTANT:** No liability is accepted for incorrect use of product. Spare parts must be fitted by a competent person

**WARRANTY:** Guarantee is 12 months from purchase date, proof of which will be required for any claim.



Parts Information:  
Air Operated Jack 30tonne Telescopic  
Model No: YAJ15-30

Item	Part No.	Description
10	YAJ15-30.10	Lock Ring
11	YAJ15-30.11	Dustproof Ring
12	YAJ15-30.12	Guide Ring
13	YAJ15-30.13	Inner Sleeve
14	YAJ15-30.14	Seal Ring
15	YAJ15-30.15	Guide Ring
16	YAJ15-30.16	Top Cover
17	YAJ15-30.17	Piston
18	YAJ15-30.18	Spring Washer
19	YAJ15-30.19	Seal Ring
20	YAJ15-30.20	Guide Ring
21	YAJ15-30.21	Base
22	YAJ15-30.22	Foam Pad
23	YAJ15-30.23	Screw
24	YAJ15-30.24	Screw
25	YAJ15-30.25	O-Ring
26	YAJ15-30.26	Protecting Cover
27	YAJ15-30.27	Protecting Cover
28	YAJ15-30.28	Retaining Ring
29	YAJ15-30.29	O-Ring
30	YAJ15-30.30	End Cover
31	YAJ15-30.31	Inner Sleeve
32	YAJ15-30.32	O-Ring
33	YAJ15-30.33	U-Ring
34	YAJ15-30.34	Piston
35	YAJ15-30.35	Elbow
36	YAJ15-30.36	Air Cylinder
37	YAJ15-30.37	Rubber Cap
38	YAJ15-30.38	Oe Seal
39	YAJ15-30.39	Piston
40	YAJ15-30.40	Spacer
41	YAJ15-30.41	Plunger Rod
42	YAJ15-30.42	Spring
43	YAJ15-30.43	Oil Pump

Item	Part No.	Description
44	YAJ15-30.44	Seal
45	YAJ15-30.45	Spacer
46	YAJ15-30.46	Guide Bushing
47	YAJ15-30.47	O-Ring
48	YAJ15-30.48	O-Ring
49	YAJ15-30.49	Lock Ring
50	YAJ15-30.50	Spacer
51	YAJ15-30.51	Seal
52	YAJ15-30.52	Lock Ring
53	YAJ15-30.53	Pump Block
54	YAJ15-30.54	O-Ring
55	YAJ15-30.55	Lock Ring
56	YAJ15-30.56	Retaining Ring
57	YAJ15-30.57	T-Piece
58	YAJ15-30.58	O-Ring
59	YAJ15-30.59	End Cover
60	YAJ15-30.60	O-Ring
61	YAJ15-30.61	Oil Drain Piston
62	YAJ15-30.62	Oil Drain Bolt
63	YAJ15-30.63	Valve Screw
64	YAJ15-30.64	Lock Ring
65	YAJ15-30.65	O-Ring
66	YAJ15-30.66	Steel Ball
67	YAJ15-30.67	Steel Ball Seat
68	YAJ15-30.68	Spring
69	YAJ15-30.69	Lock Ring
70	YAJ15-30.70	O-Ring
71	YAJ15-30.71	Spring
72	YAJ15-30.72	Drain Valve
73	YAJ15-30.73	Spring
74	YAJ15-30.74	Steel Ball
75	YAJ15-30.75	Bushing
76	YAJ15-30.76	Lock Ring
77	YAJ15-30.77	O-Ring

**NOTE:** It is our policy to continually improve products and as such we reserve the right to alter data, specifications and component parts without prior notice. There may be alternative versions of this product, please contact us should you require this information.

**IMPORTANT:** No liability is accepted for incorrect use of product. Spare parts must be fitted by a competent person

**WARRANTY:** Guarantee is 12 months from purchase date, proof of which will be required for any claim.

Sealey Group, Kempson Way, Suffolk Business Park, Bury St Edmunds, Suffolk. IP32 7AR



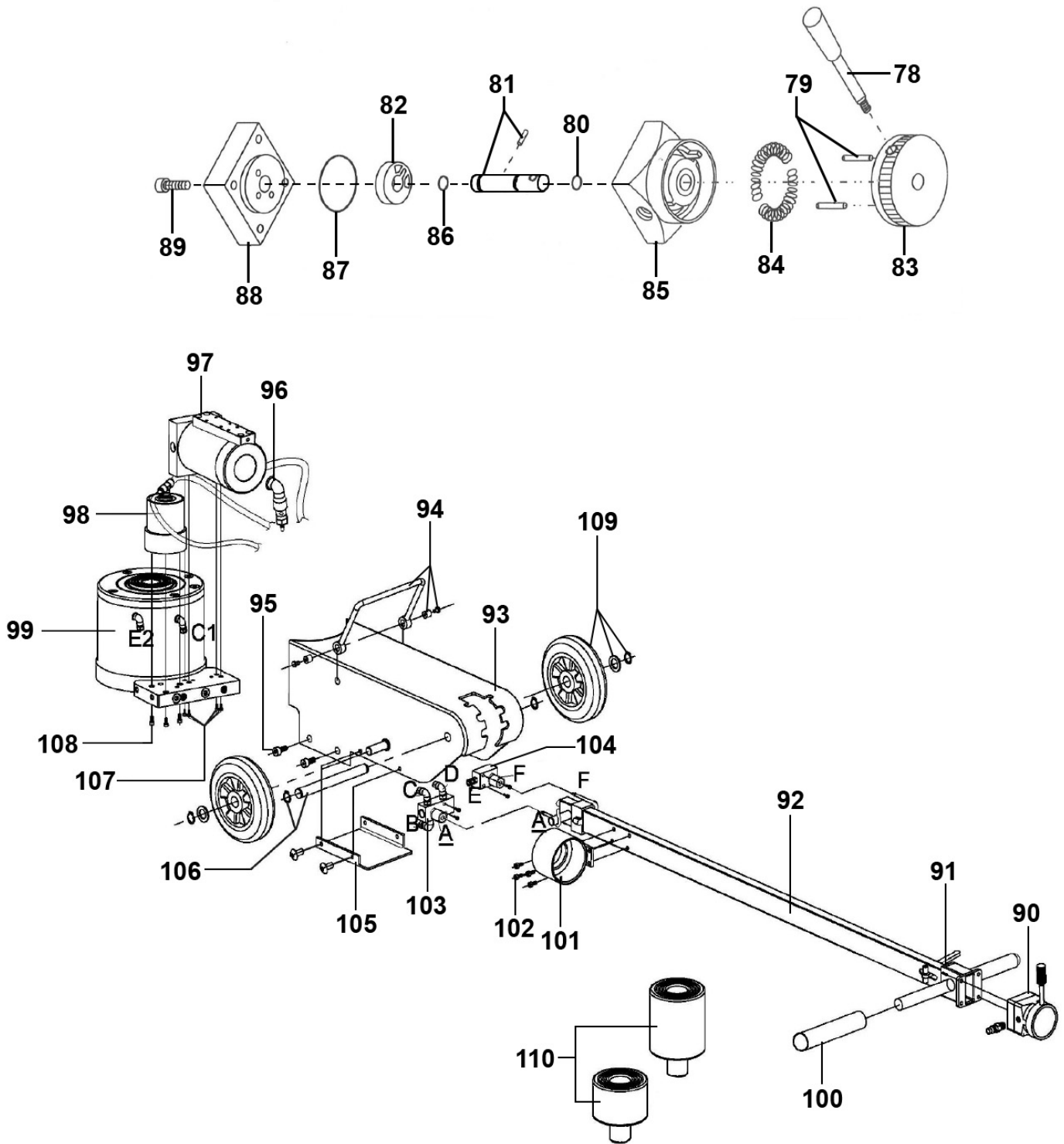
01284 757500



sales@sealey.co.uk



www.sealey.co.uk



Item	Part No.	Description
78	YAJ15-30.78	Handle
79	YAJ15-30.79	Straight Pin
80	YAJ15-30.80	O-Ring
81	YAJ15-30.81	Spindle (C/w Pin)

Item	Part No.	Description
82	YAJ15-30.82	Valve Base
83	YAJ20-40.83	Cap For Air Switch
84	YAJ15-30.84	Spring Dia 9.4mm
85	YAJ15-30.85	Valve Body

**NOTE:** It is our policy to continually improve products and as such we reserve the right to alter data, specifications and component parts without prior notice. There may be alternative versions of this product, please contact us should you require this information.

**IMPORTANT:** No liability is accepted for incorrect use of product. Spare parts must be fitted by a competent person

**WARRANTY:** Guarantee is 12 months from purchase date, proof of which will be required for any claim.



Parts Information:  
**Air Operated Jack 30tonne Telescopic**  
**Model No: YAJ15-30**

Item	Part No.	Description
86	YAJ15-30.86	O-Ring
87	SA661.11	O-Ring, (Ex: 38.21 In: 34.65 Cs: 1.78)
88	YAJ15-30.88	Valve Base
89	YAJ15-30.89	Screw
90	YAJ15-30.90	Air Switch (Up/Down)
91	YAJ15-30.91	Screw
92	YAJ301.V2-HC	Handle Complete
93	YAJ15-30.93	Tank Body
94	YAJ15-30.94	Lifting Handle Set
95	YAJ15-30.95	Screw
96	YAJ15-30.96	Elbow
97	YAJ15-30.97	Pump Ass'y
98	YAJ15-30.98	Oil Drain Valve Ass'y

Item	Part No.	Description
99	YAJ15-30.99	Oil Cylinder Ass'y
100	YAJ15-30.100	Handle Grip
101	YAJ15-30.101	Adaptor Holder
102	YAJ15-30.102	Screw
103	YAJ15-30.103	Circuit Block
104	YAJ15-30.104	Circuit Block
105	YAJ15-30.105	Bottom Cover
106	YAJ15-30.106	Wheel Axle: Solid, Black, C/w Circlips
107	YAJ15-30.107	Screw
108	YAJ15-30.108	Screw
109	YAJ15-30.109	Wheel (C/w Fixings)
110	YAJ20-40DC.99	Adaptors (45mm & 75mm)

**NOTE:** It is our policy to continually improve products and as such we reserve the right to alter data, specifications and component parts without prior notice. There may be alternative versions of this product, please contact us should you require this information.

**IMPORTANT:** No liability is accepted for incorrect use of product. Spare parts must be fitted by a competent person

**WARRANTY:** Guarantee is 12 months from purchase date, proof of which will be required for any claim.

**Sealey Group**, Kempson Way, Suffolk Business Park, Bury St Edmunds, Suffolk. IP32 7AR



01284 757500



sales@sealey.co.uk



www.sealey.co.uk