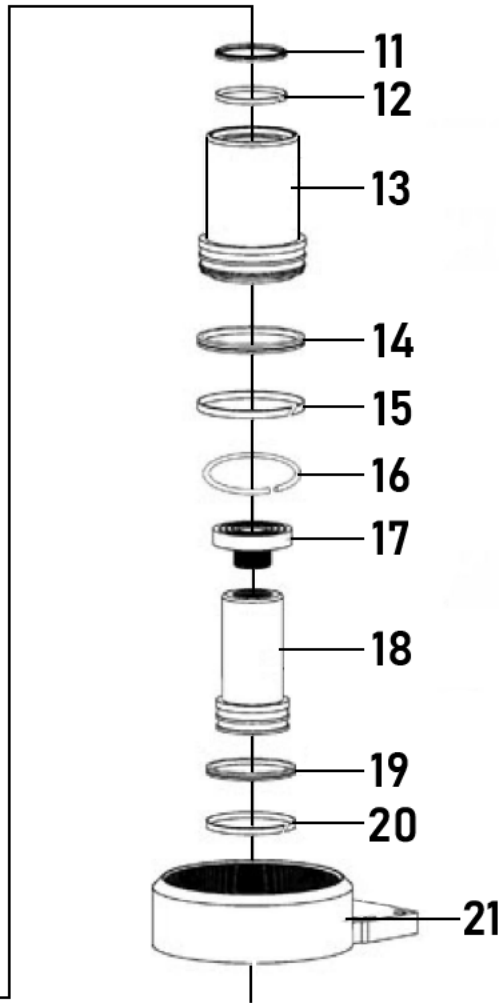
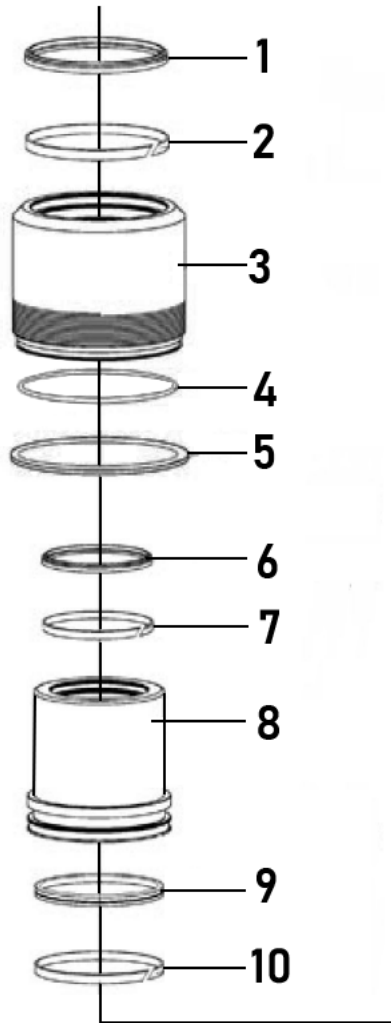




Parts Information:  
**Air Operated Jack 10-40tonne Telescopic -  
 Long Reach/Low Entry  
 Model No: YAJ10-40LELR**



Item	Part No.	Description
1	YAJ1040LEL.01	Dustproof Ring
2	YAJ1040LEL.02	Guide Ring
3	YAJ1040LEL.03	Outer Sleeve
4	YAJ1040LEL.04	O-Ring, (Ex: 140 In: 132.94 Cs: 3.53)
5	YAJ1040LEL.05	Locking Ring
6	YAJ1040LEL.06	Dustproof Ring
7	YAJ1040LEL.07	Guide Ring
8	YAJ1040LEL.08	Inner Sleeve
9	YAJ1040LEL.09	Xtp Seal
10	YAJ1040LEL.10	Guide Ring
11	YAJ1040LEL.11	Dustproof Ring

Item	Part No.	Description
12	YAJ1040LEL.12	Guide Ring
13	YAJ1040LEL.13	Inner Sleeve
14	YAJ1040LEL.14	Xtp Seal
15	YAJ1040LEL.15	Guide Ring
16	YAJ1040LEL.16	Spring Washer
17	YAJ1040LEL.17	Top Cover
18	YAJ1040LEL.18	Piston
19	YAJ1040LEL.19	Xtp Seal
20	YAJ1040LEL.20	Guide Ring
21	YAJ1040LEL.21	Basement (Inc Outer Sleeve YAJ1040LEL203)

**NOTE:** It is our policy to continually improve products and as such we reserve the right to alter data, specifications and component parts without prior notice. There may be alternative versions of this product, please contact us should you require this information.

**IMPORTANT:** No liability is accepted for incorrect use of product. Spare parts must be fitted by a competent person

**WARRANTY:** Guarantee is 12 months from purchase date, proof of which will be required for any claim.

**Sealey Group**, Kempson Way, Suffolk Business Park, Bury St Edmunds, Suffolk. IP32 7AR



01284 757500

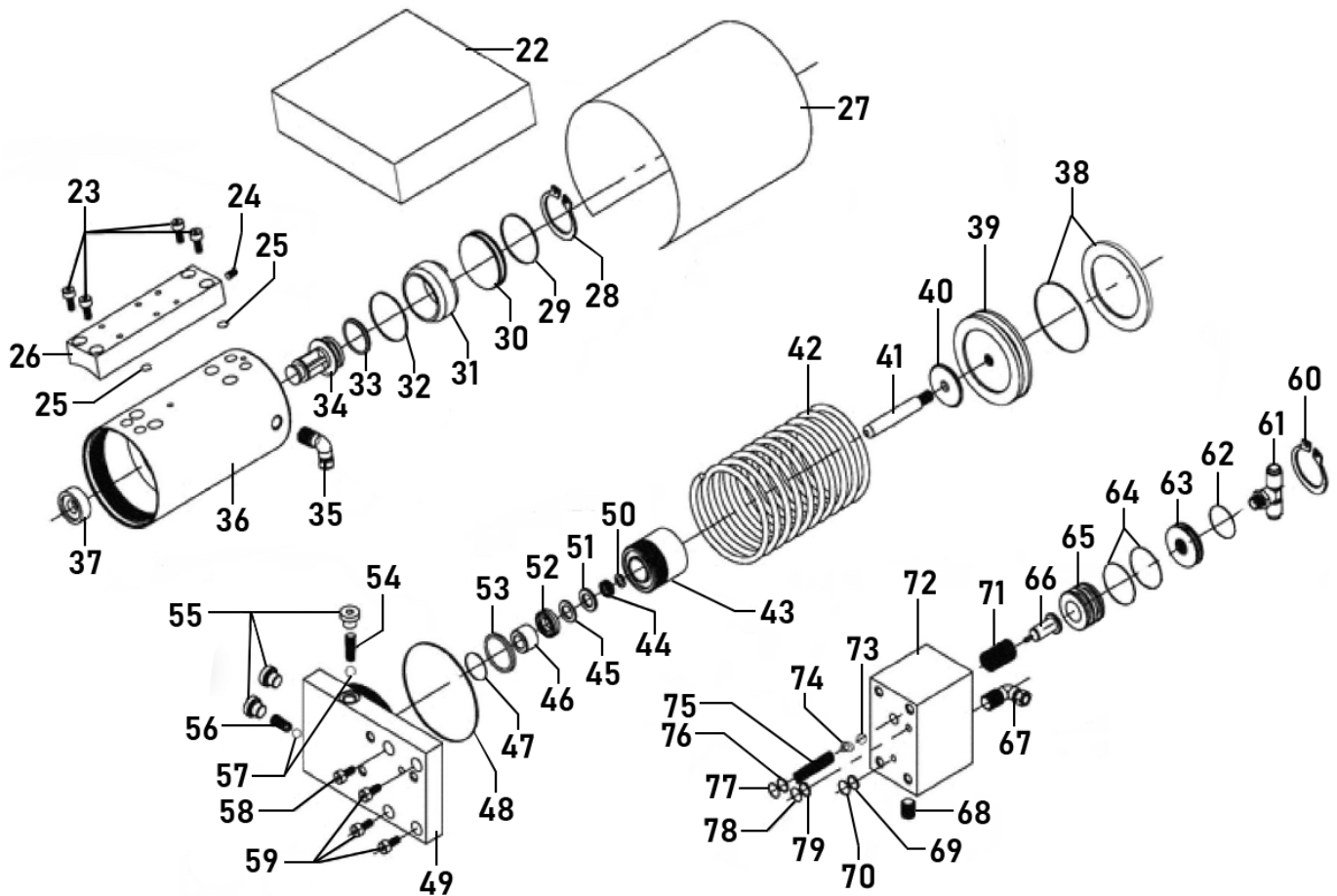


sales@sealey.co.uk



www.sealey.co.uk

Parts Information:  
**Air Operated Jack 10-40tonne Telescopic -  
 Long Reach/Low Entry  
 Model No: YAJ10-40LELR**



Item	Part No.	Description
22	YAJ1040LEL.22	Foam Pad
23	YAJ1040LEL.23	Screws
24	YAJ1040LEL.24	Screws
25	YAJ1040LEL.25	O-Ring
26	YAJ1040LEL.26	Protecting Cover
27	YAJ1040LEL.27	Protecting Cover
28	YAJ1040LEL.28	Retaining Ring
29	YAJ1040LEL.29	O-Ring
30	YAJ1040LEL.30	End Cover
31	YAJ1040LEL.31	Inner Sleeve
32	YAJ1040LEL.32	O-Ring
33	YAJ1040LEL.33	U Ring
34	YAJ1040LEL.34	Piston
35	YAJ1040LEL.35	Elbow
36	YAJ1040LEL.36	Air Cylinder
37	YAJ1040LEL.37	Rubber Cap
38	YAJ1040LEL.38	Oe Seal
39	YAJ1040LEL.39	Piston
40	YAJ1040LEL.40	Spacer

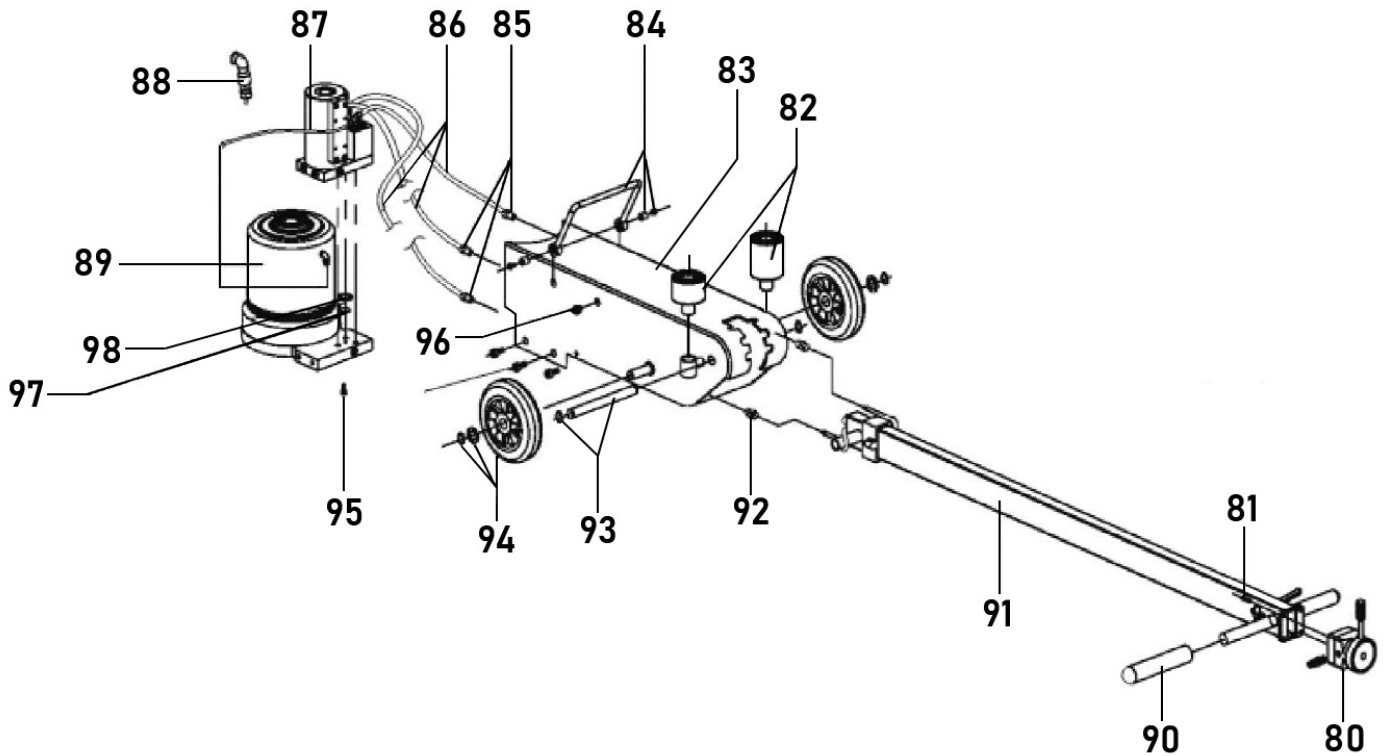
Item	Part No.	Description
41	YAJ1040LEL.41	Plunger Rod
42	YAJ1040LEL.42	Spring
43	YAJ1040LEL.43	Plunger Bushing
44	YAJ1040LEL.44	B3 Seal
45	YAJ1040LEL.45	Spacer
46	YAJ1040LEL.46	Guide Bushing
47	YAJ1040LEL.47	O-Ring
48	YAJ1040LEL.48	O-Ring
49	YAJ1040LEL.49	Check Valve
50	YAJ1040LEL.50	Locking Ring
51	YAJ1040LEL.51	Spacer
52	YAJ1040LEL.52	B3 Seal
53	YAJ1040LEL.53	Locking Ring
54	YAJ1040LEL.54	Spring
55	YAJ1040LEL.55	Screw
56	YAJ1040LEL.56	Spring
57	YAJ1040LEL.57	Steel Ball
58	YAJ1040LEL.58	Screw
59	YAJ1040LEL.59	Screw

**NOTE:** It is our policy to continually improve products and as such we reserve the right to alter data, specifications and component parts without prior notice. There may be alternative versions of this product, please contact us should you require this information.

**IMPORTANT:** No liability is accepted for incorrect use of product. Spare parts must be fitted by a competent person

**WARRANTY:** Guarantee is 12 months from purchase date, proof of which will be required for any claim.

Parts Information:  
**Air Operated Jack 10-40tonne Telescopic -  
 Long Reach/Low Entry  
 Model No: YAJ10-40LELR**



Item	Part No.	Description
60	YAJ1040LEL.60	Clamp Spring
61	YAJ1040LEL.61	T-Piece
62	YAJ1040LEL.62	O-Ring
63	YAJ1040LEL.63	End Cover
64	YAJ1040LEL.64	O-Ring
65	YAJ1040LEL.65	Oil Drain Piston
66	YAJ1040LEL.66	Oil Drain Bolt
67	YAJ1040LEL.67	Tie In
68	YAJ1040LEL.68	Screw
69	YAJ1040LEL.69	Locking Ring
70	YAJ1040LEL.70	O-Ring
71	YAJ1040LEL.71	Spring
72	YAJ1040LEL.72	Oil Drain Valve
73	YAJ1040LEL.73	Steel Ball
74	YAJ1040LEL.74	Screw
75	YAJ1040LEL.75	Spring
76	YAJ1040LEL.76	Locking Ring
77	YAJ1040LEL.77	O-Ring
78	YAJ1040LEL.78	Locking Ring
79	YAJ1040LEL.79	O-Ring

Item	Part No.	Description
80	YAJ1040LEL.80	Air Switch (Up/Down) Lever Action
81	YAJ1040LEL.81	Screw
82	YAJ20-40DC.99	Adaptors (45mm & 75mm)
83	YAJ1040LEL.83	Tank Body
84	YAJ1040LEL.84	Lifting Handle Sets
85	YAJ1040LEL.85	Tie In
86	YAJ1040LEL.86	Air Pipe And Oil Pipe
87	YAJ1040LEL.87	Pump Assembly
88	YAJ1040LEL.88	Tie In
89	YAJ1040LEL.89	Oil Cylinder Assembly
90	YAJ20-40LR.86	Handle Grip
91	YAJ1040LEL.91	Handle
92	YAJ1040LEL.92	Tie In
93	YAJ1040LEL.93	Axle
94	YAJ1040LEL.94	Wheel
95	YAJ1040LEL.95	Screw
96	YAJ1040LEL.96	Screw
97	YAJ1040LEL.97	O-Ring
98	YAJ1040LEL.98	Locking Ring
--	YAJ20-40.78	Handle (Not Shown)

**NOTE:** It is our policy to continually improve products and as such we reserve the right to alter data, specifications and component parts without prior notice. There may be alternative versions of this product, please contact us should you require this information.

**IMPORTANT:** No liability is accepted for incorrect use of product. Spare parts must be fitted by a competent person

**WARRANTY:** Guarantee is 12 months from purchase date, proof of which will be required for any claim.