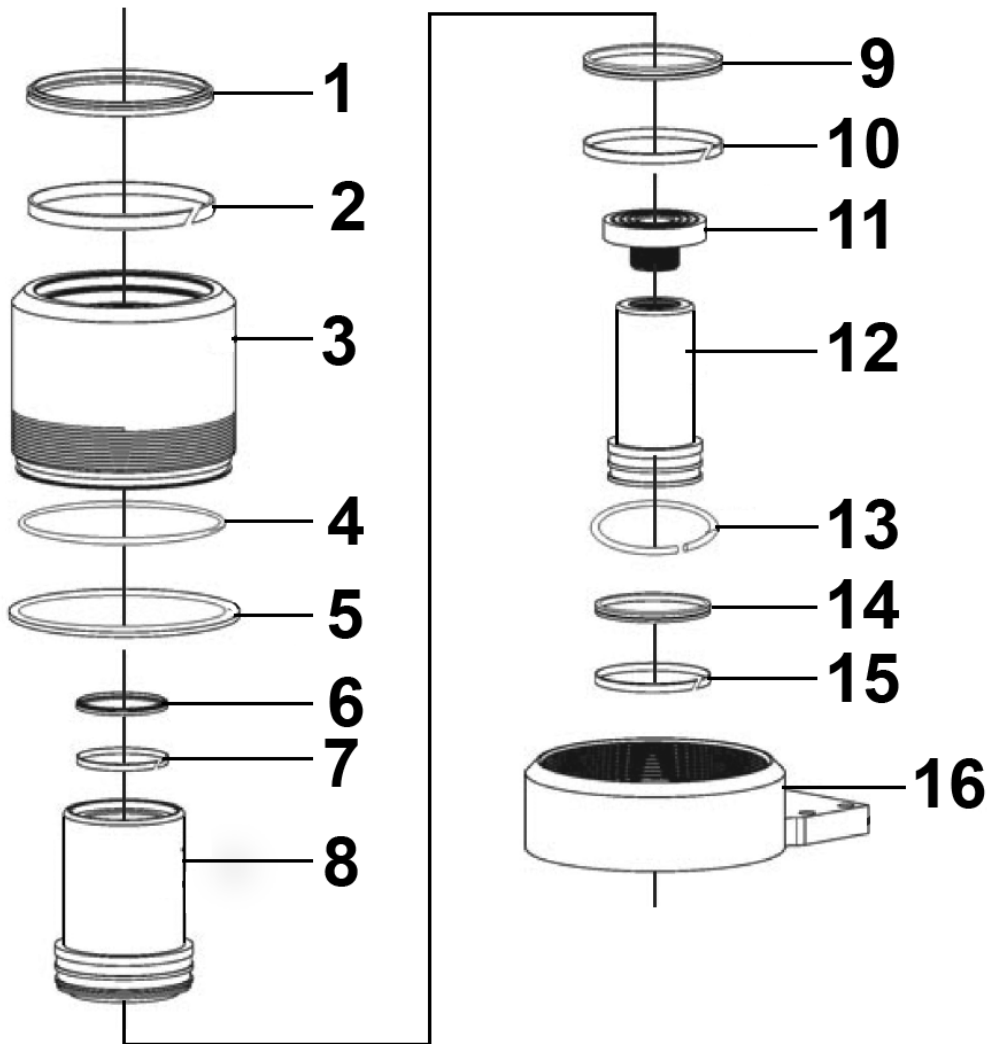




Parts Information:
Air Operated Jack 10-25tonne Telescopic - Long Reach
Model No: YAJ10-25LR



Item	Part No.	Description
1	YAJ10-25LR.01	Dustproof Ring
2	YAJ10-25LR.02	Guide Ring
3	YAJ10-25LR.03	Outer Sleeve
4	YAJ15-30LE.04	O-Ring, (Ex: 130.48 In: 123.42 Cs: 3.53)
5	YAJ10-25LR.05	Locking Ring
6	YAJ10-25LR.06	Dustproof Ring
7	YAJ10-25LR.07	Guide Ring
8	YAJ10-25LR.08	Inner Sleeve

Item	Part No.	Description
9	YAJ10-25LR.09	Seal Ring
10	YAJ10-25LR.10	Guide Ring
11	YAJ10-25LR.11	Top Cover
12	YAJ10-25LR.12	Piston
13	YAJ10-25LR.13	Spring Washer
14	YAJ10-25LR.14	Seal Ring
15	YAJ10-25LR.15	Guide Ring
16	YAJ10-25LR.16	Base

NOTE: It is our policy to continually improve products and as such we reserve the right to alter data, specifications and component parts without prior notice. There may be alternative versions of this product, please contact us should you require this information.

IMPORTANT: No liability is accepted for incorrect use of product. Spare parts must be fitted by a competent person

WARRANTY: Guarantee is 12 months from purchase date, proof of which will be required for any claim.

Sealey Group, Kempson Way, Suffolk Business Park, Bury St Edmunds, Suffolk. IP32 7AR



01284 757500

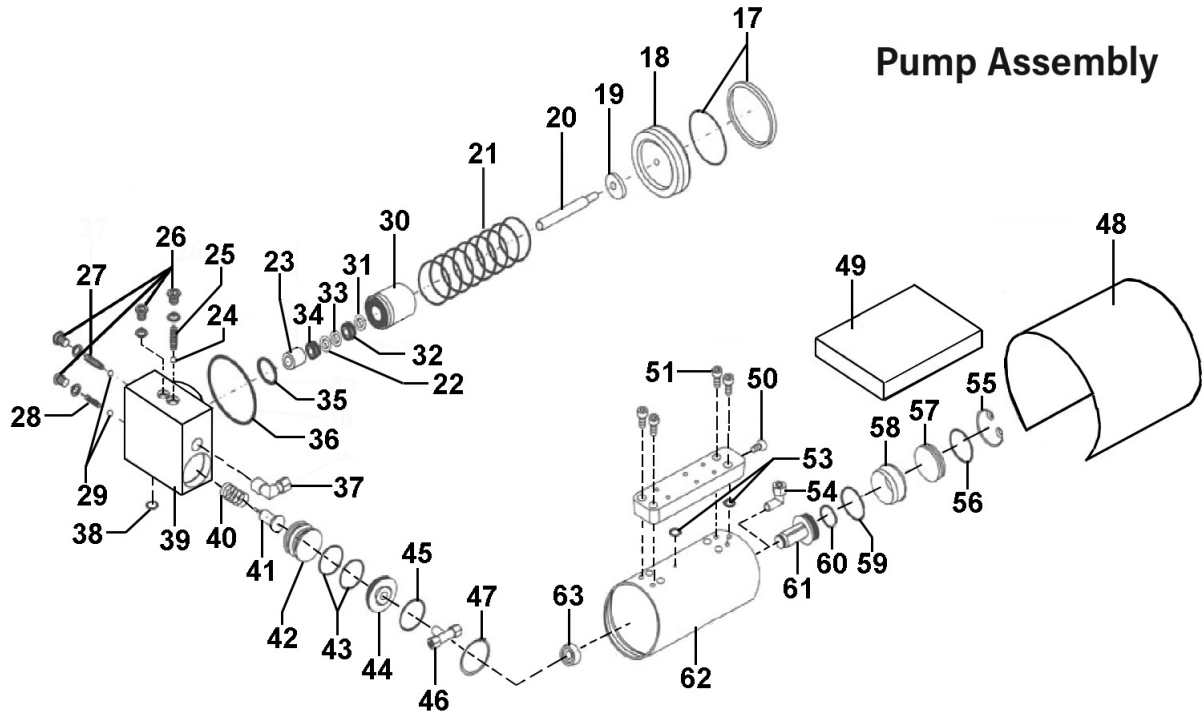


sales@sealey.co.uk



www.sealey.co.uk

Parts Information:
Air Operated Jack 10-25tonne Telescopic - Long Reach
Model No: YAJ10-25LR



Pump Assembly

Item	Part No.	Description
17	YAJ10-25LR.17	Oe Seal
18	YAJ10-25LR.18	Piston
19	YAJ10-25LR.19	Spacer
20	YAJ10-25LR.20	Plunger Rod
21	YAJ10-25LR.21	Spring
22	YAJ10-25LR.22	Spacer
23	YAJ10-25LR.23	Guide Sleeve
24	YAJ10-25LR.24	Steel Ball
25	YAJ10-25LR.25	Spring
26	YAJ10-25LR.26	Screw
27	YAJ10-25LR.27	Spring
28	YAJ10-25LR.28	Spring
29	YAJ10-25LR.29	Steel Ball
30	YAJ10-25LR.30	Oil Pump
31	YAJ10-25LR.31	Lock Ring
32	YAJ10-25LR.32	Seal
33	YAJ10-25LR.33	Spacer
34	YAJ10-25LR.34	Seal
35	HVLP3000G.03	O-Ring, (Ex: 33.48 In: 28.24 Cs: 2.62)
36	YAJ10-25LR.36	O-Ring, (Ex: 80.98 In: 76.67 Cs: 2.16)
37	YAJ10-25LR.37	Elbow
38	DH03.V2-39	O-Ring, (Ex: 12.81 In: 9.25 Cs: 1.78)
39	YAJ10-25LR.39	Pump Block
40	YAJ10-25LR.40	Spring

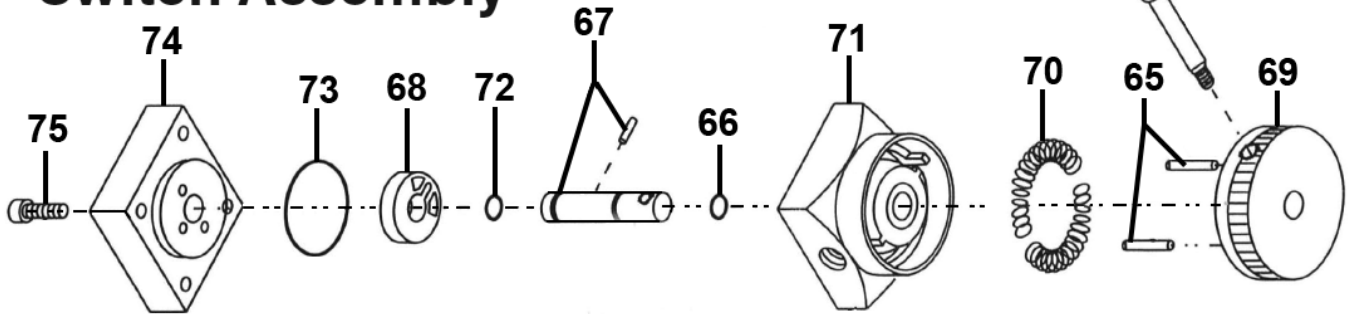
Item	Part No.	Description
41	YAJ10-25LR.41	Oil Drain Bolt
42	YAJ10-25LR.42	Oil Drain Piston
43	YAJ10-25LR.43	O-Ring, (Ex: 41.78 In: 31.12 Cs: 5.33)
44	YAJ10-25LR.44	End Cover
45	YAJ10-25LR.45	O-Ring
46	YAJ10-25LR.46	T-Piece
47	YAJ10-25LR.47	Retaining Ring
48	YAJ10-25LR.48	Protecting Cover
49	YAJ10-25LR.49	Foam Pad
50	YAJ10-25LR.50	Screw
51	YAJ10-25LR.51	Screw
52	YAJ10-25LR.52	Protecting Cover
53	SA695.13	O-Ring, (Ex: 16.01 In: 10.77 Cs: 2.62)
54	YAJ10-25LR.54	Elbow
55	YAJ10-25LR.55	Retaining Ring
56	YAJ30H.J47	O-Ring, (Ex: 44.58 In: 39.34 Cs: 2.62)
57	YAJ10-25LR.57	End Cover
58	YAJ10-25LR.58	Inner Sleeve
59	YAJ30H.J47	O-Ring, (Ex: 44.58 In: 39.34 Cs: 2.62)
60	YAJ10-25LR.60	Seal Ring
61	YAJ10-25LR.61	Piston
62	YAJ10-25LR.62	Air Cylinder
63	YAJ10-25LR.63	Rubber Cap

NOTE: It is our policy to continually improve products and as such we reserve the right to alter data, specifications and component parts without prior notice. There may be alternative versions of this product, please contact us should you require this information.

IMPORTANT: No liability is accepted for incorrect use of product. Spare parts must be fitted by a competent person

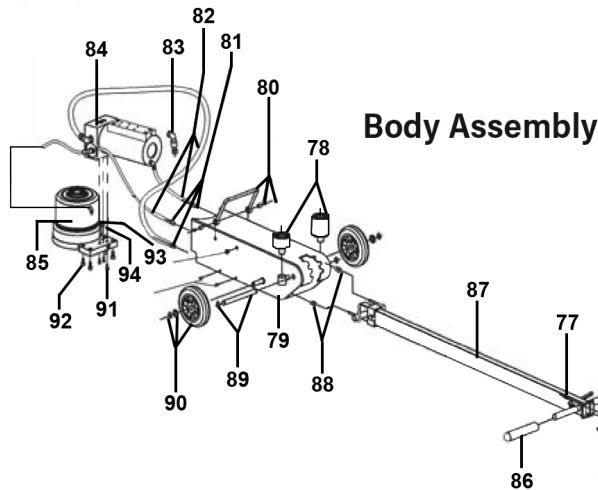
WARRANTY: Guarantee is 12 months from purchase date, proof of which will be required for any claim.

Switch Assembly



Item	Part No.	Description
64	YAJ10-25LR.64	Handle
65	YAJ10-25LR.65	Straight Pin
66	YAJ10-25LR.66	O-Ring
67	YAJ10-25LR.67	Spindle (c/w Pin)
68	YAJ10-25LR.68	Valve Base
69	YAJ10-25LR.69	Switch Cap

Item	Part No.	Description
70	YAJ10-25LR.70	Spring
71	YAJ10-25LR.71	Valve Body
72	YAJ10-25LR.72	O-Ring
73	YAJ10-25LR.73	O-Ring
74	YAJ10-25LR.74	Valve Base
75	YAJ10-25LR.75	Screw



Body Assembly

Item	Part No.	Description
76	YAJ10-25LR.76	Air Switch (Up/Down) Lever Action
77	YAJ10-25LR.77	Screw
78	YAJ20-40DC.99	Adaptors (45mm & 75mm)
79	YAJ10-25LR.79	Tank Body
80	YAJ10-25LR.80	Lifting Handle Set
81	YAJ10-25LR.81	Hose Adaptor
82	YAJ10-25LR.82	Pipe & Oil Hose(Pipe 4x6x1000mm)(Hose 14x 360mm)
83	YAJ10-25LR.83	Elbow
84	YAJ10-25LR.84	Pump Ass'y
85	YAJ10-25LR.85	Oil Cylinder Ass'y
86	YAJ10-25LR.86	Handle Grip

Item	Part No.	Description
87	YAJ10-25LR.87	Handle
88	YAJ10-25LR.88	Screw
89	YAJ10-25LR.89	Wheel Axle
90	YAJ10-25LR.90	Wheel (c/w Fixing)
91	YAJ10-25LR.91	Screw
92	YAJ10-25LR.92	Screw
93	YAJ10-25LR.93	O-Ring
94	YAJ10-25LR.94	Lock Ring
--	YAJ10-25LR.95	Air Hose Coupling (5.5mm) (Not Shown)
--	YAJ10-25LR.95A	Air Hose Coupling (4mm) (Not Shown)
--	YAJ10-25LR.82A	Air Pipe & Oil Hose(Pipe 1000mm x 5.5mm) Hose 355mm (Not Shown)

NOTE: It is our policy to continually improve products and as such we reserve the right to alter data, specifications and component parts without prior notice. There may be alternative versions of this product, please contact us should you require this information.

IMPORTANT: No liability is accepted for incorrect use of product. Spare parts must be fitted by a competent person

WARRANTY: Guarantee is 12 months from purchase date, proof of which will be required for any claim.