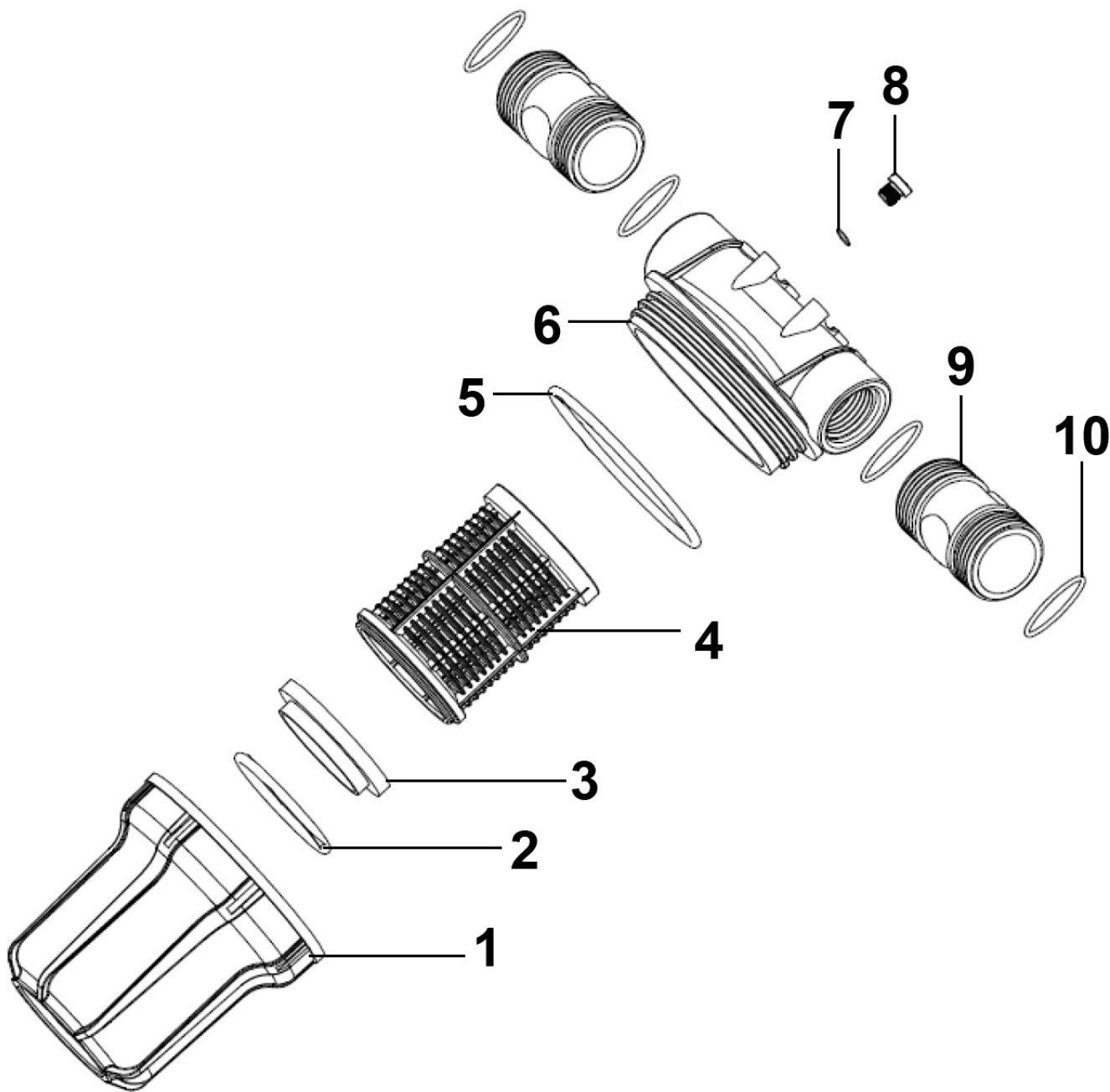




Parts Information:
Inlet Filter for Surface Mounting Pumps 1L
Model No: WPF1



Item	Part No.	Description
1	WP10516602	Cup 1ltr
2	WP05101617	O-Ring (Ex; 66mm In; 56mm Cs; 5mm)
3	WP01901623	Cover Cap
4	WP01901622	Filter Cover
5	WP05101615	O-Ring (Ex; 108mm In; 100mm Cs; 4mm)

Item	Part No.	Description
6	WP01101606	Lid
7	WP05101602	O-Ring
8	WP07705601	Drain Bolt
9	WP06601009	Connector (Double Thread)
10	WP05101639	O-Ring

NOTE: It is our policy to continually improve products and as such we reserve the right to alter data, specifications and component parts without prior notice. There may be alternative versions of this product, please contact us should you require this information.

IMPORTANT: No liability is accepted for incorrect use of product. Spare parts must be fitted by a competent person

WARRANTY: Guarantee is 12 months from purchase date, proof of which will be required for any claim.

Sealey Group, Kempson Way, Suffolk Business Park, Bury St Edmunds, Suffolk. IP32 7AR



01284 757500



01284 703534



sales@sealey.co.uk



www.sealey.co.uk