

NOTE: It is our policy to continually improve products and as such we reserve the right to alter data, specifications and component parts without prior notice. There may be alternative versions of this product, please contact us should you require this information.

IMPORTANT: No liability is accepted for incorrect use of product. Spare parts must be fitted by a competent person

WARRANTY: Guarantee is 12 months from purchase date, proof of which will be required for any claim.



Parts Information:
**Submersible Water Butt Pump 50L/min
230V
Model No: WPB50A.V2**

Item	Part No.	Description
1	WP08701001	Power Cable
2	WP014010011	Float Switch 10A 250V
3	WP00202041	Handle
4	WP845I	Self Tapping Screw ST4.2 x 32mm
5	WP845H	Self Tapping Screw ST4.2 x 18mm
6	WP01101018	Cover Plate
8	WP00301035	Rear Pump Casing
9	WP07802021	Screw
9A	WP05101079	O-Ring (6.46 x 3.44 x 1.51)
10	WP02701016	Outlet Connector
11	WP05201033	Cable Sheath
12	WP05602005	Cable Buckle
13	WP08401025	Capacitor 4µF
14	WP05501001	Cable Grip
15	WP07802018	Self-Tapping Screw
16	WP02602004	Aluminum Rear Cover
16A	WP05202003	Wire Sheath
16B	WP934A	Washer
16C	WP08601001	Wire
16D	WP04102027	Plate
16E	WP86224	Washer
16F	WP818	Screw M4 x 8mm
17	WP03801001	Wave Washer
18	B/6201ZZ	Bearing
19	WP0230103032	Rotor
20	WP02202202	Stator
21	WP02005011	Bushing Ring

Item	Part No.	Description
22	WP03802023	Washer
23	WP05102002	Sealing Ring (12 x 24 x 4.5 x 17)
24	WP04204001	Aluminum Bushing
25	WP05101052	O-Ring
26	WP02501051	Front Cover
26A	WP06101007	Mechanical Seal
26B	RE231.18	External Circlip 10.8mm ID
27	WP05101010	O-Ring (102.10 x 91.44 x 5.33)
28	WP00403060	Main Pump Casing
28A	SA355.V2-24	O-Ring (31.88 x 26.64 x 2.62)
28B	WP3087	Steel Ball
29	WP845L	Self Tapping Screw ST4.2 x 50mm
31	WP00904089	Impeller
32	WP05101263	O-Ring
33	WP00502011	Inner Base
34	WP845O	Self Tapping Screw ST4.2 x 45mm
35	WP01901002	Filter
36	WP00601055	Base
38	WP00701019	Baseplate
39	WP03901012	Support
40	WP04105011	Cover
41	WP04101001	Safety Press Line Cap
42	WP03203012	Rubber Clip
43	WP08501001	Cable Tie
--	WP05201036	Cable Sheath (Not Shown)
--	WP05602008	Cable Buckle (Not Shown)
--	WP04101003	Safety Press Line Cap (Not Shown)

NOTE: It is our policy to continually improve products and as such we reserve the right to alter data, specifications and component parts without prior notice. There may be alternative versions of this product, please contact us should you require this information.

IMPORTANT: No liability is accepted for incorrect use of product. Spare parts must be fitted by a competent person

WARRANTY: Guarantee is 12 months from purchase date, proof of which will be required for any claim.

Sealey Group, Kempson Way, Suffolk Business Park, Bury St Edmunds, Suffolk. IP32 7AR



01284 757500



01284 703534

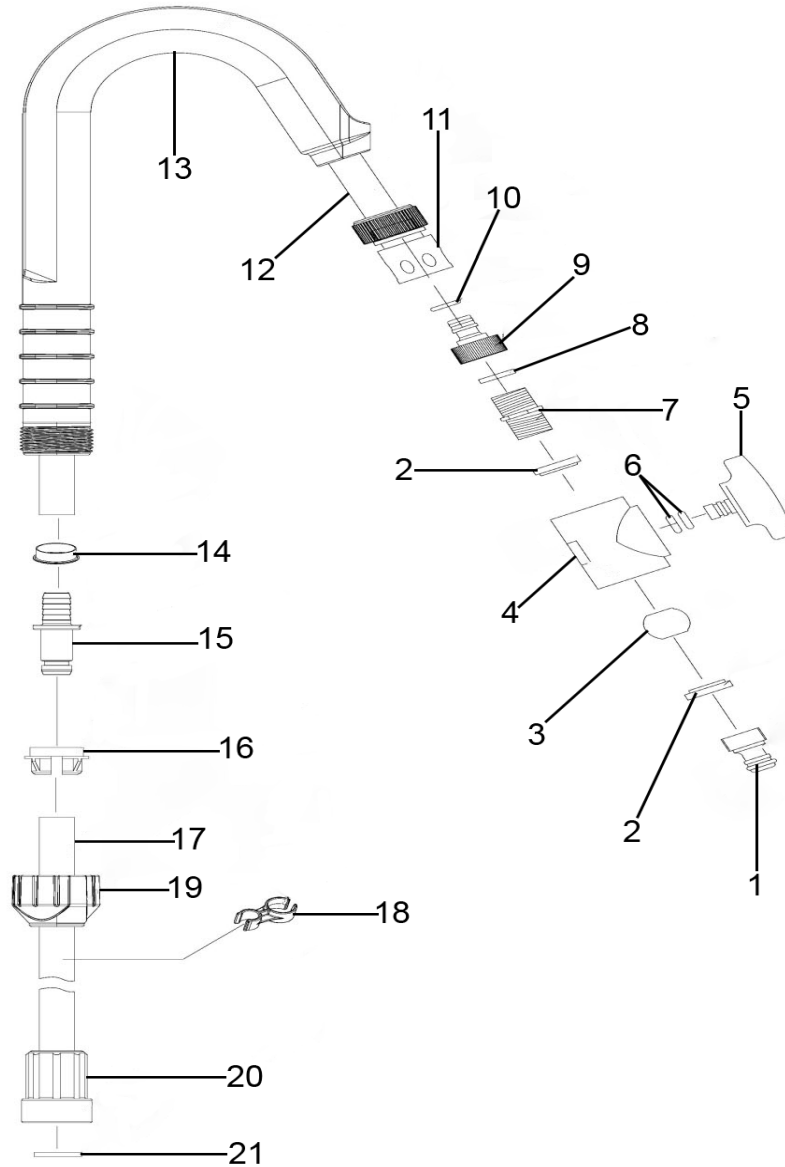


sales@sealey.co.uk



www.sealey.co.uk

Parts Information:
Submersible Water Butt Pump 50L/min
230V
Model No: WPB50A.V2



Item	Part No.	Description
1	WP06603003	Valve Connector
2	WP03202003	Seal Washer
3	WP01504001	Valve Disc
4	WP01503001	Valve Body
5	WP06401001	Knob
6	SA802.23	O-Ring (9.63 x 6.07 x 1.78)
7	WP03005001	Plastic Connector
8	WP05101204	O-Ring
9	WP06603001	Quick Connector (F)
10	WP05101001	O-Ring
11	WP06603013	Quick Connector Kit

Item	Part No.	Description
12	WP02001036	Tube
13	WP02801007	Elbow
14	WP04301033	Bushing
15	WP02722001	Joint
16	WP05602013	Buckle
17	WP02002036	Aluminium Straight Pipe
18	WP01201003	Clip
19	WP06401012	Knob
20	WP06602002	Aluminium Tube Connector (F)
21	WP03202006	Seal Washer
--	WP06602001	Aluminium tube connector (M)(Not Shown)

NOTE: It is our policy to continually improve products and as such we reserve the right to alter data, specifications and component parts without prior notice. There may be alternative versions of this product, please contact us should you require this information.

IMPORTANT: No liability is accepted for incorrect use of product. Spare parts must be fitted by a competent person

WARRANTY: Guarantee is 12 months from purchase date, proof of which will be required for any claim.