

Item	Part No.	Description
1	WP05101027	O-Ring (24,15 x 17,09 x 3,53)
2	WP04301002	Seal Bushing
3	WP02003005	Connecting Hose
4	WP01407001	Mechanical Pressure Switch 1.5-2.9 Bar
5	WP07401001	Brass Fitting
6	WP07901003	Valve Cover
9	WP01601001A	Pressure Gauge

Item	Part No.	Description
10	WP04006004	Pressure Tank
11	WP01809001	Cable
12	WP5789	Bolt M8 x 30mm
13	SN8.S	Steel Nut M8
--	WP00703004	Base plate (Not Shown)
--	WP01801013	Outlet Elbow Connector (Not Shown)

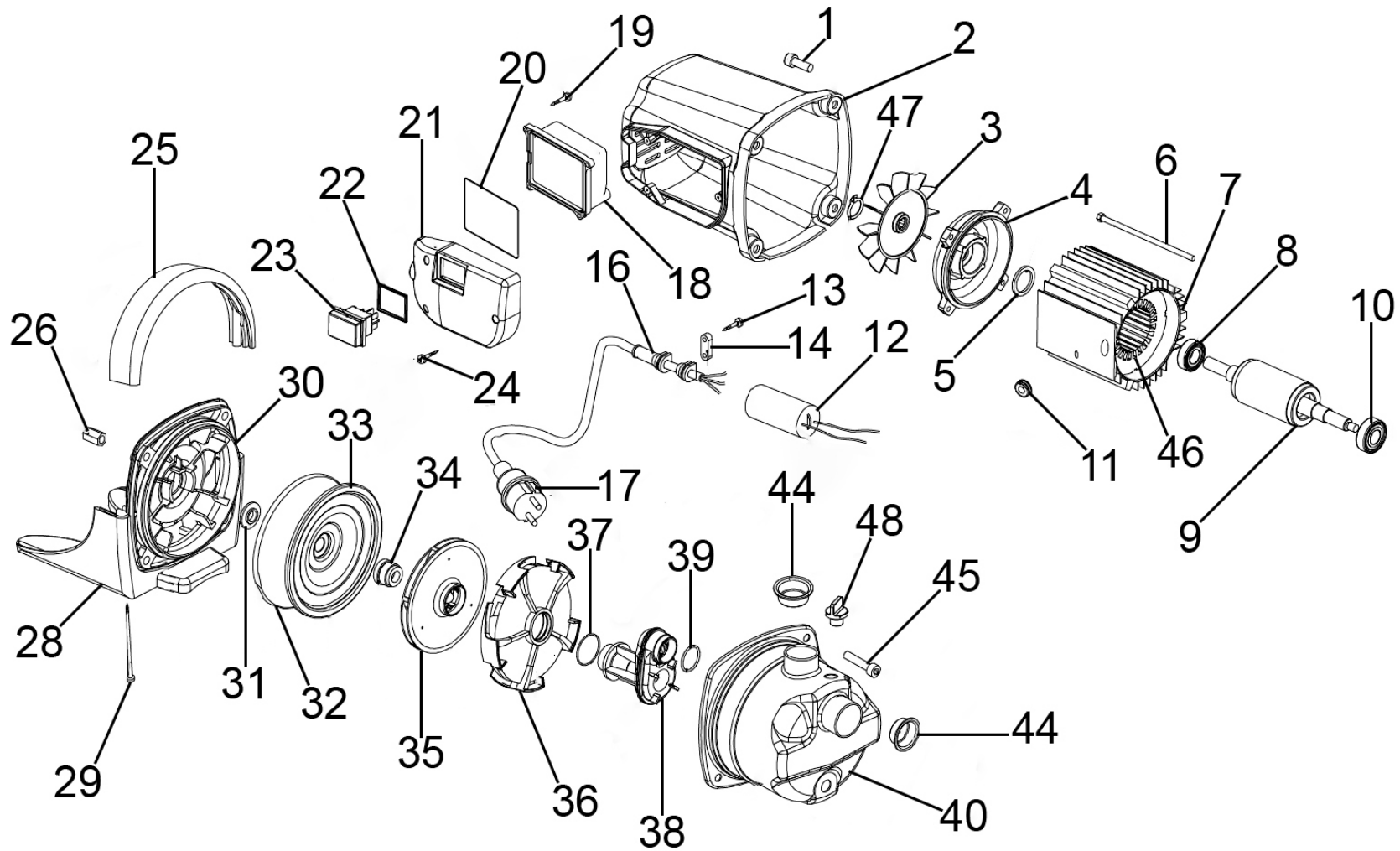
NOTE: It is our policy to continually improve products and as such we reserve the right to alter data, specifications and component parts without prior notice. There may be alternative versions of this product, please contact us should you require this information.

IMPORTANT: No liability is accepted for incorrect use of product. Spare parts must be fitted by a competent person

WARRANTY: Guarantee is 12 months from purchase date, proof of which will be required for any claim.



Parts Information:
Surface Mounting Booster Pump Stainless Steel 62ltr/min 230V
Model No: WPB062S



NOTE: It is our policy to continually improve products and as such we reserve the right to alter data, specifications and component parts without prior notice.

There may be alternative versions of this product, please contact us should you require this information.

IMPORTANT: No liability is accepted for incorrect use of product. Spare parts must be fitted by a competent person

WARRANTY: Guarantee is 12 months from purchase date, proof of which will be required for any claim.

Sealey Group, Kempson Way, Suffolk Business Park, Bury St Edmunds, Suffolk. IP32 7AR



01284 757500



01284 703534



sales@sealey.co.uk



www.sealey.co.uk



Parts Information:
Surface Mounting Booster Pump Stainless Steel 62ltr/min 230V
Model No: WPB062S

Item	Part No.	Description
1	WP70812	Screw M8 x 12mm
2	WP03401001	Motor Cover
3	WP03501001	Fan
4	WP02603002	Rear Cover
5	WP03801001	Wave Washer
6	WP5780A	Bolt M5 x 145mm
7	WP02402004	Aluminum Casing
8	B/6201ZZ	Bearing
9	WP02303005	Rotor
10	B/6202ZZ	Bearing
11	WP05202010	Wire Sheath
12	WP08401001A	Capacitor 20µF
13	WP07802015	Self-Tapping Screw
14	WP05501003	Cable Grip
15	WP05201007	Cable Grip
16	WP05201020	Cable Grip
17	WP08703004	Power Cable
18	WP07101002	Waterproof Cover
19	WP07802028	Self-Tapping Screw
20	WP05101025	O-Ring
21	WP04501001	Side Cover
22	WP03203001	Sealing washer
23	WP01405007	Switch, Power Rocker 12A 250V (c/w Cover)

Item	Part No.	Description
24	WP845D	Self-Tapping Screw ST3.5 x 20mm
25	WP00201005	Handle
26	WP07601001	Hex Nut
28	WP00605001	Base
29	WP845E	Self-Tapping Screw ST4.2 x 113mm
30	WP02504007	Front Cover
31	WP05901001	Bushing
32	WP05101024	O-Ring (143.18 x 136.12 x 3.53)
33	WP04902005	Sealing Pad
34	WP06102002	Mechanical Seal
35	WP00904008	Impeller
36	WP03601018	Diffuser Plate Kit
37	SA355.V2-24	O-Ring (31.88 x 26.64 x 2.62)
38	WP05003002	Diffuser
39	WP05101030	O-Ring (31.85 x 26.40 x 2.73)
40	WP03302001	Pump Head
44	WP04701001	Dust Cover
45	WP70820	Screw M8 x 20mm
46	WP02206005	Stator
47	RE231.18	External Circlip 10.8mm ID
48	WP07901003	Valve Cover
--	WP05101087	O-ring (17.94 x 12.17 x 2.89)(Not Shown)

NOTE: It is our policy to continually improve products and as such we reserve the right to alter data, specifications and component parts without prior notice. There may be alternative versions of this product, please contact us should you require this information.

IMPORTANT: No liability is accepted for incorrect use of product. Spare parts must be fitted by a competent person

WARRANTY: Guarantee is 12 months from purchase date, proof of which will be required for any claim.

Sealey Group, Kempson Way, Suffolk Business Park, Bury St Edmunds, Suffolk. IP32 7AR



01284 757500



01284 703534



sales@sealey.co.uk



www.sealey.co.uk