

Item	Part No.	Description
1	WP05101133	O-Ring
2	WP02003005	Connecting Hose
3	WP01407018	Mechanical Pressure Switch (1.3 - 2.6 bar)
4	WP07401001	Brass Fitting
5	WP07901003	Valve Cover
6	WP05101087	O-Ring (17.94 x 12.17 x 2.89)
8	WP01601001A	Pressure Gauge

Item	Part No.	Description
9	WP04006002	Pressure Tank
10	WP01801001	Cable
11	WP5789A	Bolt M8 x 40mm
12	SN8.S	Steel Nut M8
--	WP1601001	Handle (Not Shown)
--	WP01801013	Outlet Elbow Connector (Not Shown)

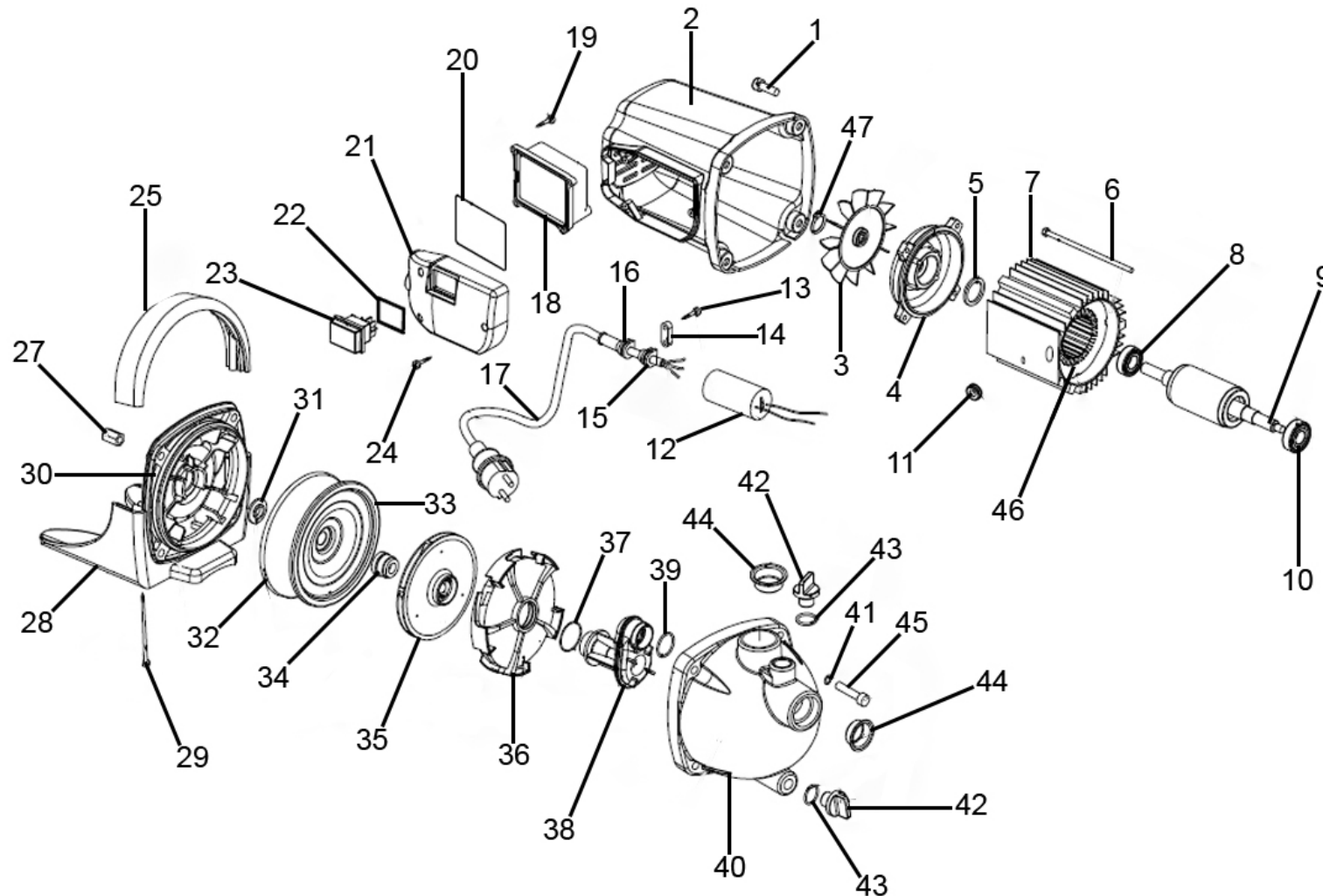
NOTE: It is our policy to continually improve products and as such we reserve the right to alter data, specifications and component parts without prior notice. There may be alternative versions of this product, please contact us should you require this information.

IMPORTANT: No liability is accepted for incorrect use of product. Spare parts must be fitted by a competent person

WARRANTY: Guarantee is 12 months from purchase date, proof of which will be required for any claim.



Parts Information:
Lifting Booster Pump 50L/min 230V
Model No: WPB050



NOTE: It is our policy to continually improve products and as such we reserve the right to alter data, specifications and component parts without prior notice.

There may be alternative versions of this product, please contact us should you require this information.

IMPORTANT: No liability is accepted for incorrect use of product. Spare parts must be fitted by a competent person

WARRANTY: Guarantee is 12 months from purchase date, proof of which will be required for any claim.

Sealey Group, Kempson Way, Suffolk Business Park, Bury St Edmunds, Suffolk. IP32 7AR



01284 757500



01284 703534



sales@sealey.co.uk



www.sealey.co.uk



Parts Information:
Pumping Booster Pump 50L/min 230V
Model No: WPB050

Item	Part No.	Description
1	WP70812	Screw M8 x 12mm
2	WP03401001	Motor Cover
3	WP03501001	Fan
4	WP02603002	Rear Cover
5	WP03801001	Wave Washer
6	WP5780	Bolt M5 x 125mm
7	WP02402002	Aluminium Casing
8	B/6201ZZ	Bearing
9	WP02303001420	Rotor
10	B/6202ZZ	Bearing
11	WP05202010	Wire Sheath
12	WP0840100112	Capacitor 12µf
13	WP07802015	Self-Tapping Screw
14	WP05501003	Cable Grip
15	WP05201007	Cable Grip
16	WP05201020	Cable Grip
17	WP08703004	Power Cable
18	WP07101002	Waterproof Cover
19	WP07802028	Self Tapping Screw
20	WP05101025	O-Ring
21	WP04501001	Side Cover
22	WP03203001	Sealing Washer
23	WP01405007	Switch, Power Rocker 12A 250V (c/w Cover)

Item	Part No.	Description
24	WP845D	Self Tapping Screw ST3.5 x 20mm
25	WP00201005	Handle
27	WP07601001	Hex Nut
28	WP00605001	Base
29	WP845E	Self Tapping Screw ST4.2 x 113mm
30	WP02504005	Front Cover
31	WP05901001	Bushing
32	WP05101024	O-Ring, (143.18 x 136.12 x 3.53)
33	WP04901011	Sealing Pad
34	WP06102002	Mechanical Seal
35	WP00904010	Impeller
36	WP03601018	Diffuser Plate Kit
37	SA355.V2-24	O-Ring (31.88 x 26.64 x 2.62)
38	WP05003024	Diffuser
39	WP05101030	O-Ring (31.85 x 26.40 x 2.73)
40	WP03301012	Pump Head
41	WP9718	Washer
42	WP07902001	Valve Cover
43	WP05101133	O-Ring
44	WP04701001	Dust Cover
45	WP70835	Screw M8 x 35mm
46	WP02206001	Stator
47	RE231.18	External Circlip 10.8mm ID

NOTE: It is our policy to continually improve products and as such we reserve the right to alter data, specifications and component parts without prior notice. There may be alternative versions of this product, please contact us should you require this information.

IMPORTANT: No liability is accepted for incorrect use of product. Spare parts must be fitted by a competent person

WARRANTY: Guarantee is 12 months from purchase date, proof of which will be required for any claim.

Sealey Group, Kempson Way, Suffolk Business Park, Bury St Edmunds, Suffolk. IP32 7AR



01284 757500



01284 703534



sales@sealey.co.uk



www.sealey.co.uk