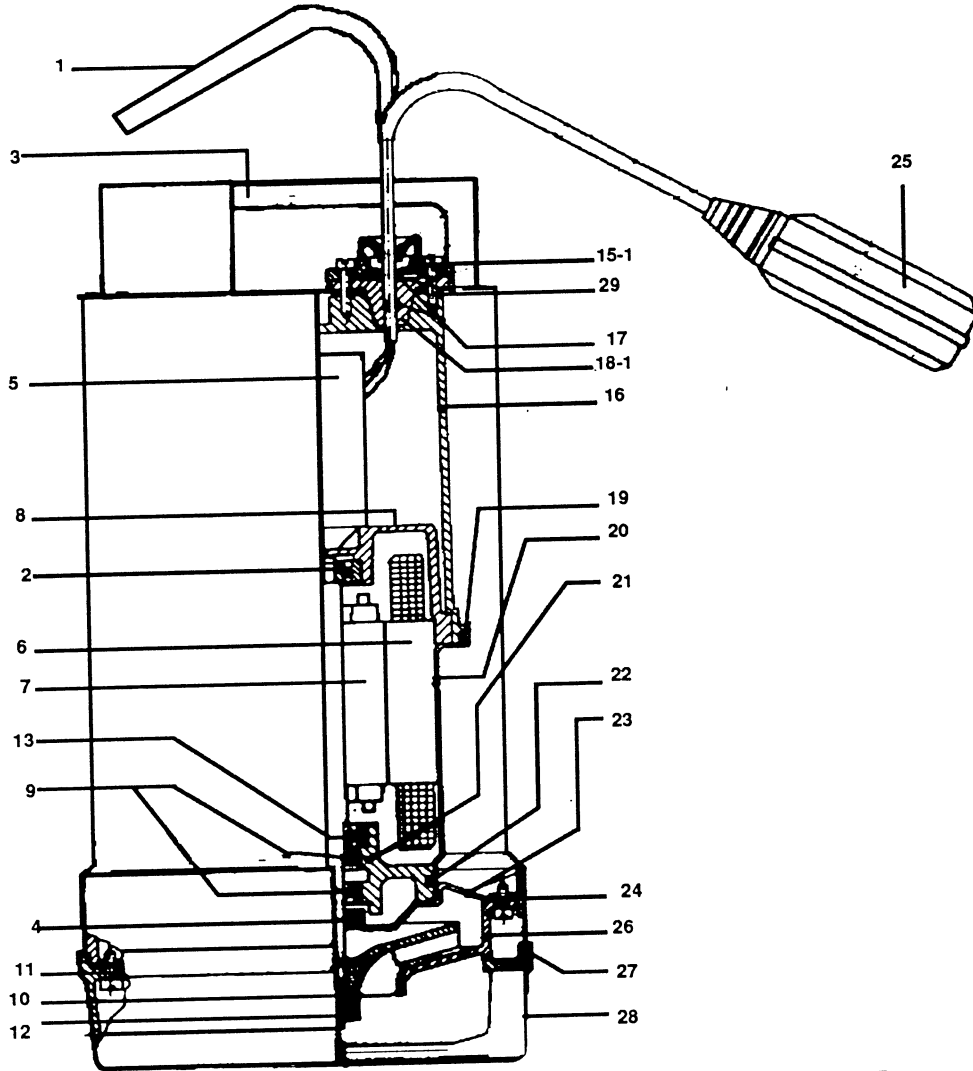


WP70 SUBMERSIBLE PUMP

Original Date:	3/6/92
Issue Date:	27/8/92
Version Number:	1
Date Modified:	



- 01 178/D26221551
- 02 178/C0201001
- 03 178/D26028102
- 04 178/C0301013
- 05 178/C0406049
- 06 178/D60050120
- 07 178/D26011101
- 08 178/D26027901
- 09 178/C0301014
- 10 178/D26027601
- 11 178/C0103068
- 12 178/C0113031
- 13 178/C0201001
- 14 178/D26221901
- 15-1 178/D26221607

- CABLE
- BEARING, UPPER
- HANDLE
- SEAL RING
- CAPACITOR
- STATOR
- SHAFT WITH ROTOR
- COVER, UPPER
- SEAL RINGS
- IMPELLER
- SCREW, BODY
- CIRCLIP
- BEARING, LOWER
- PLATE
- STOP, CABLE

- 16 178/D26027801
- 17 178/D26221701
- 18-1 178/D26221807
- 19 178/C0303036
- 20 178/D26027301
- 21 178/D26028001
- 22 178/C0303039
- 23 178/D26027201
- 24 178/C0103069
- 25 178/D26223401
- 26 178/D26027501
- 27 178/C0303059
- 28 178/D26027701
- 29 178/C0104022

- COVER
- RING
- GLAND, CABLE
- O-RING, UPPER COVER
- CASING, MOTOR
- COVER, LOWER
- O-RING, LOWER COVER
- LANTERN
- SCREWS, LANTERN
- FLOAT [AUTO]
- PUMP
- O-RING, BODY BASE
- BASE
- SCREWS, PLATE

