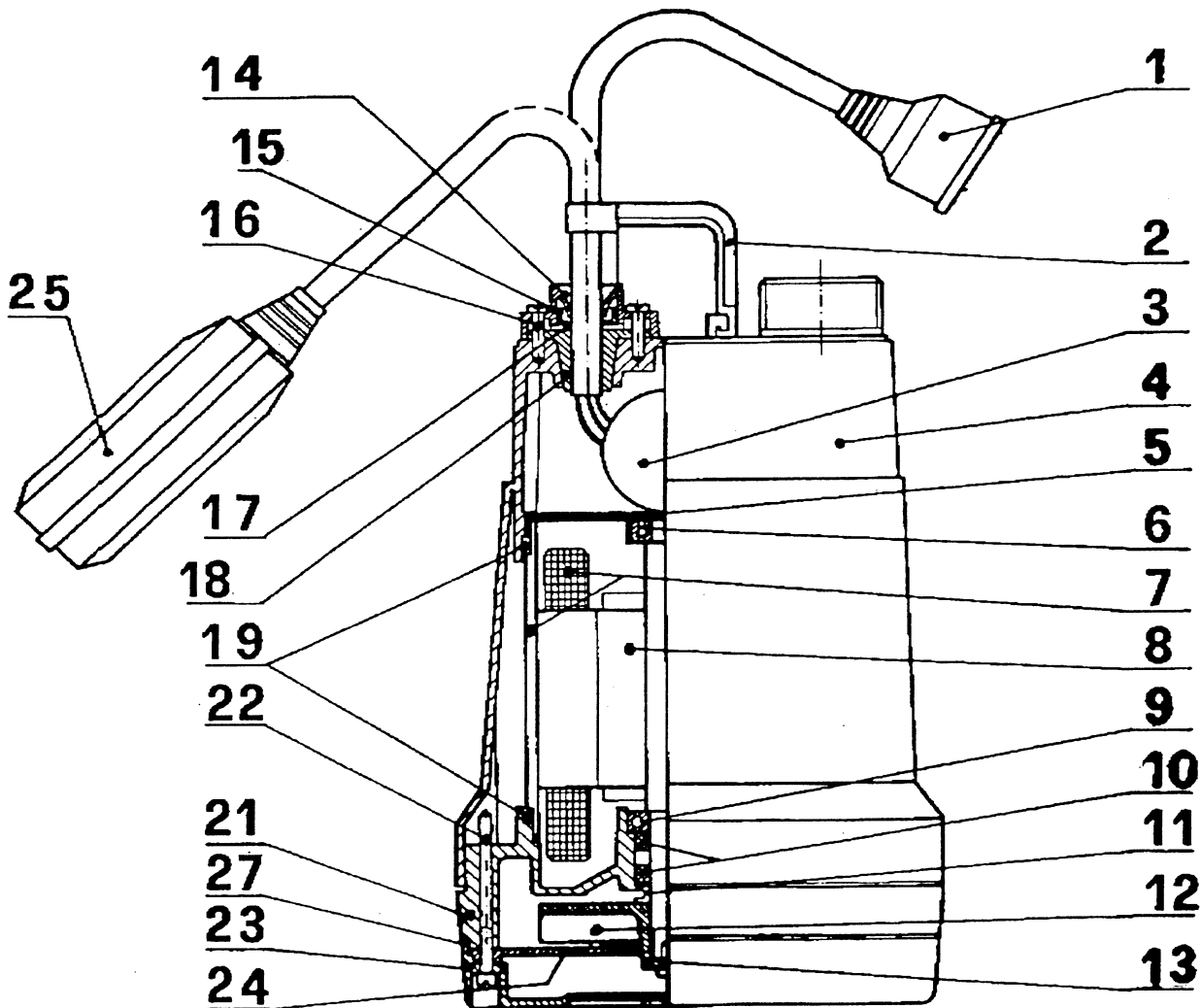


# WP55 SUBMERSIBLE PUMP



01	178/D26221503	CABLE [ WP40 & WP55]	12B	178/D26220701	IMPELLER [WP55]
01A	178/D26221503	CABLE [WP40A & WP55A]	13	178/C01011001	SCREW, IMPELLER
02	178/D26220801	HANDLE	14	178/D26221901	PLATE
03A	178/C0406068	CAPACITOR [WP40]	15	178/D26221605	CABLE STOP
03B	178/C0406069	CAPACITOR [WP55]	16	178/C0104022	SCREW
04	178/D26220002	PUMP CASING	17	178/D26221701	WASHER
05	178/D26221001	COVER	18	178/D26221805	CABLE-GLAND
06	178/C0201001	BEARING	19	178/C0303096	O-RING, MOTOR
07A	178/D26210202	CASING WITH WINDING [ WP40 ]	21	178/D26220101	PUMP/MOTOR BODY
07B	178/D26210201	CASING WITH WINDING [ WP55 ]	22A	178/C0104021	SCREW [WP40]
08A	178/D26210101	SHAFT + ROTOR [WP40]	22B	178/C0104022	SCREW [WP55]
08B	178/D26210001	SHAFT + ROTOR [WP55]	23	178/D26220201	BASE
09	178/C0201009	BEARING	24	178/D26220301	DISC
10	178/C0301014	SEAL RINGS	25	178/D26213401	FLOAT [WP40A & WP55A]
11	178/C0303065	V-RING	26	178/D26025701	PLUG, FLOAT
12A	178/D26220601	IMPELLER [WP40]	27	178/C0303001	O-RING, BODY

**SEALEY**

*Quality*  
**MACHINERY**