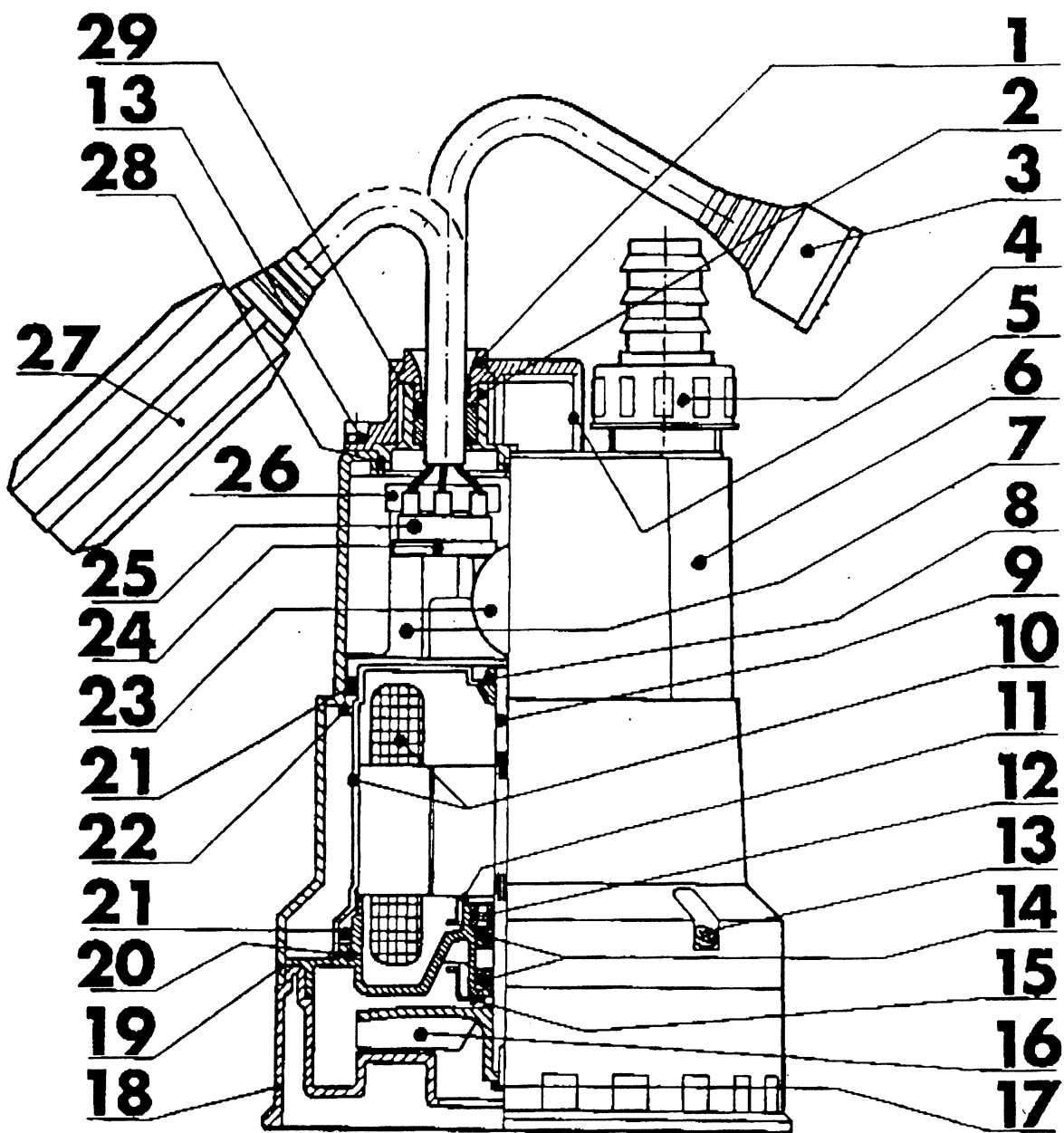


# WP40 SUBMERSIBLE PUMP



- |    |             |                          |    |             |                            |
|----|-------------|--------------------------|----|-------------|----------------------------|
| 1  | 178/2665474 | Stop, Cable H05          | 18 | 178/2665030 | Body                       |
| 2  | 178/2665085 | Cover, Cable             | 19 | 178/2160337 | O-Ring, Body               |
| 3  | 178/2662718 | Cable, H05               | 20 | 178/2662268 | Lower Cover, Pre-Assembled |
| 4a | 178/2667508 | Connector, Hose          | 21 | 178/2183176 | O-Ring, Case               |
| 4b | 178/2667515 | Ring, Connector          | 22 | 178/2665795 | Case, Ring                 |
| 5  | 178/2665696 | Handle                   | 23 | 178/2205687 | Capacitor                  |
| 6  | 178/2665139 | Case, Red                | 24 | 178/2665818 | Holder, Motor Clamp        |
| 7  | 178/2665610 | Capacitor                | 25 | 178/2204024 | Clamp, Motor               |
| 8  | 178/2665504 | Bearing                  | 26 | 178/2665801 | Cover, Motor Clamp         |
| 9  | 178/2662558 | Shaft, Rotor & Bearing   | 27 | 178/2662206 | Float-Switch, External     |
| 10 | 178/2662404 | Case & Stator            | 28 | 178/2180168 | O-Ring, Cable Cover        |
| 11 | 178/2665450 | Reinforcing, Upper Cover | 29 | 178/2665405 | Rubber, Gland H05          |
| 12 | 178/2121017 | Bearing                  |    |             |                            |
| 13 | 178/2021553 | Screw                    |    |             |                            |
| 14 | 178/2141015 | Seal                     |    |             |                            |
| 15 | 178/2665467 | Reinforcing, Lower Cover |    |             |                            |
| 16 | 178/2665924 | Impeller                 |    |             |                            |
| 17 | 178/2021102 | Screw, Impeller          |    |             |                            |

**SEALEY**

*Quality*  
**MACHINERY**