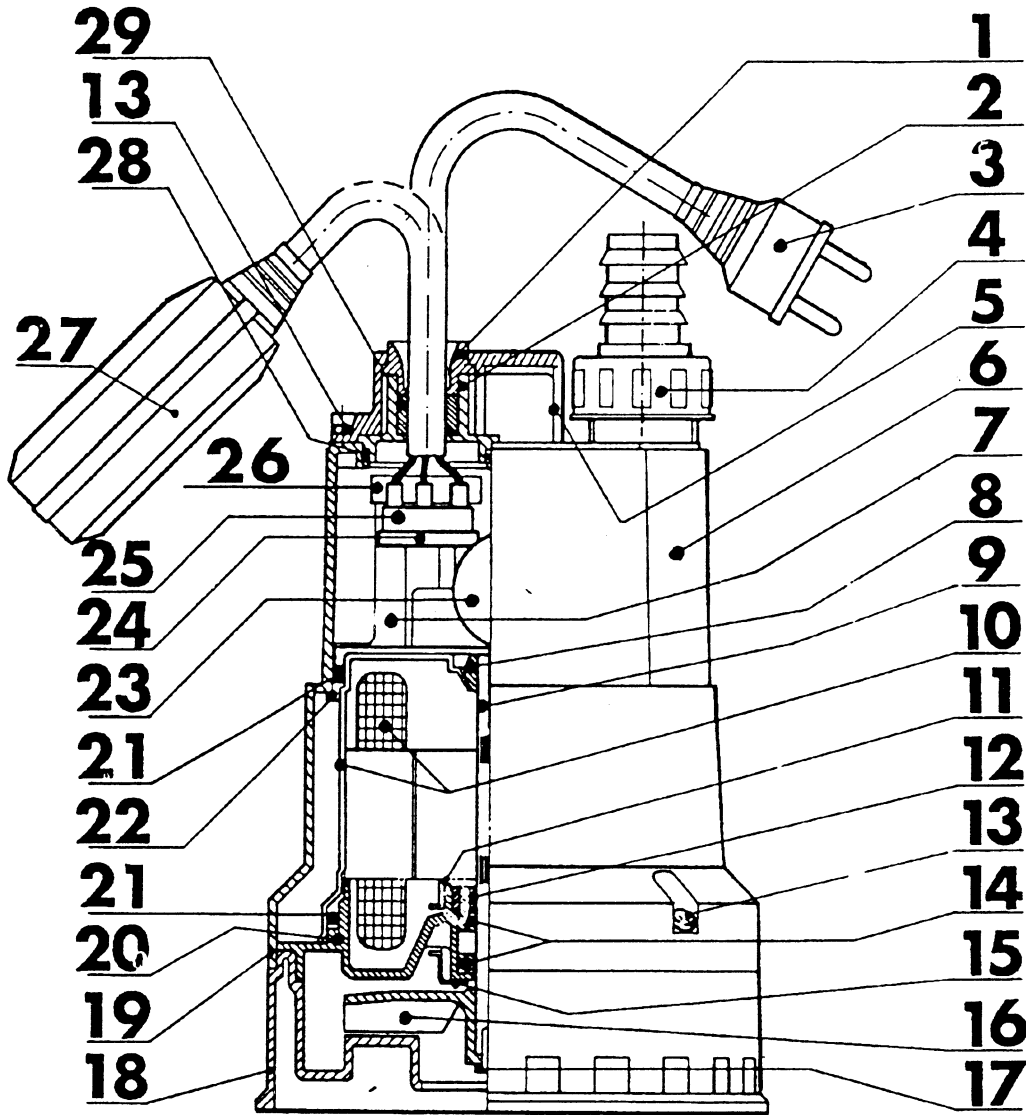


# WP20 PUMP



Index no.	Stock Code	Description
1	178/2665474	Cable Stop
2	178/2665085	Cable Cover
3	178/2662718	Cable
4a	178/2667515	Hose Connector Ring
4b	178/2667508	Hose Connector
5	178/2665696	Handle
6	178/2665139	Case
7	178/2665610	Capacitor
8	178/2665504	Upper Bearing
9	178/2662541	Rotor & Bearing Shaft
10	178/2662350	Case & Stator
11	178/2665450	Upper Cover Rienforcement
12	178/2121017	Lower Bearing
13	178/2021553	Screw
14	178/2141015	Seal

Index no.	Stock Code	Description
15	178/2665467	Lower Cover Rienforcement
16	178/2665900	Impellor
17	178/2021102	Impellor Screw
18	178/2665016	Body
19	178/2160337	O-Ring
20	178/2662268	Lower Cover, pre-assembled
21	178/2183176	O-Ring
22	178/2665795	Ring
23	178/2205816	Capacitor
24	178/2665818	Motor Clamp Holder
25	178/2204024	Motor Clamp
26	178/2665801	Motor Clamp Cover
27	178/2662206	External Float Switch
28	178/2180168	O-Ring
29	178/2665405	Gland Rubber



Original Date:	3/14/92
Issue Date:	13/7/95
Version Number:	2
Date Modified:	13/7/95