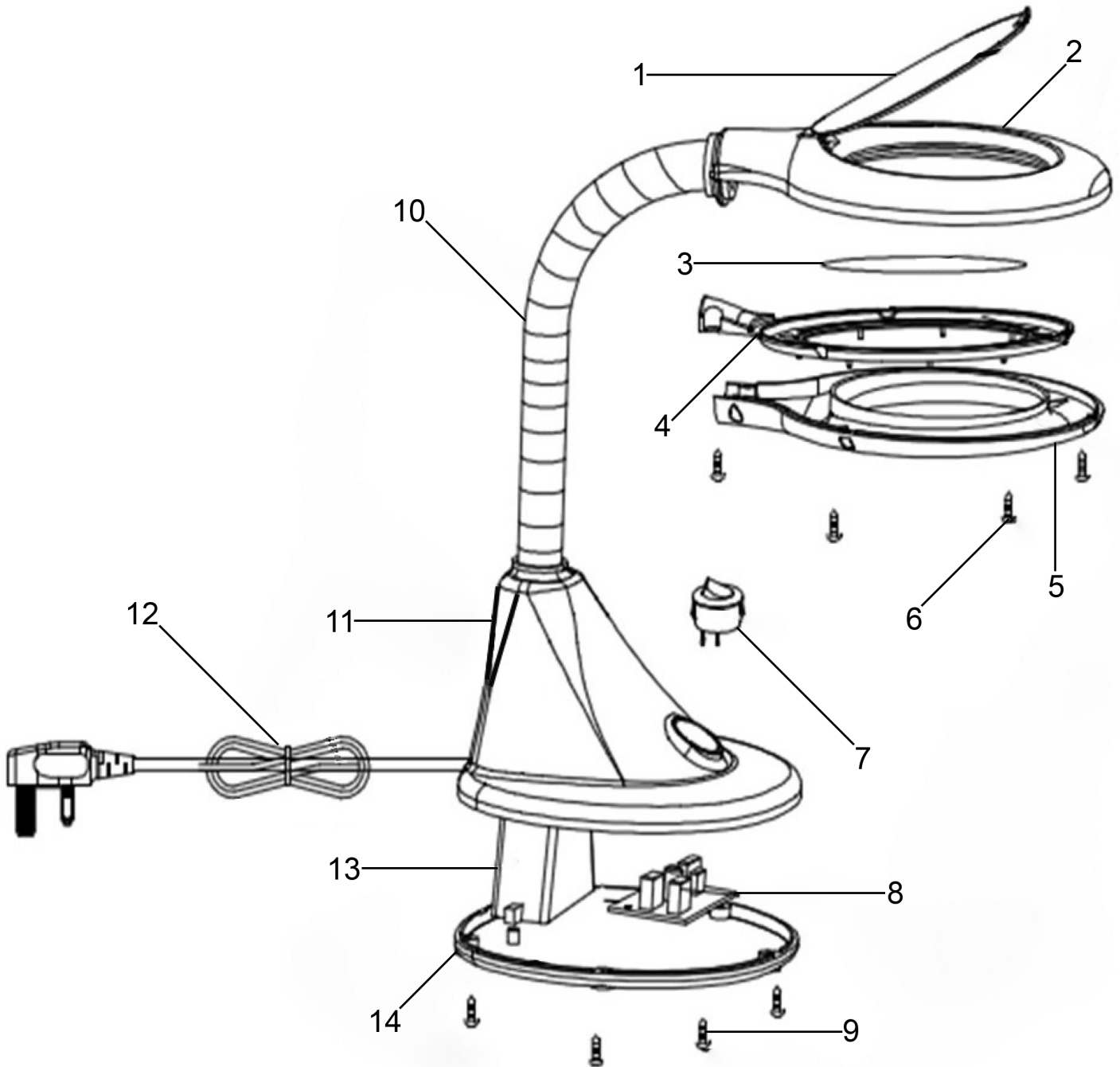


Parts Information:
Freestanding Flexible Magnifying Work Light 18 SMD LED 230V
Model No: WL183D



Item	Part No.	Description
1	WL183D.01	Lens Cap
2	WL183D.02	Upper Frame
3	WL183D.03	Lens
4	WL183D.04	LED Board
5	WL183D.05	Diffuser
6	WL183D.06	Screw
7	WL183D.07	Switch, Power Rocker 6A 250V

Item	Part No.	Description
8	WL183D.08	PCB
9	WL183D.09	Screw
10	WL183D.10	Flexible Arm (c/w Cover)
11	WL183D.11	Base Housing
12	WL183D.12	Plug & Cable
13	WL183D.13	Weight
14	WL183D.14	Base

NOTE: It is our policy to continually improve products and as such we reserve the right to alter data, specifications and component parts without prior notice. There may be alternative versions of this product, please contact us should you require this information.

IMPORTANT: No liability is accepted for incorrect use of product. Spare parts must be fitted by a competent person

WARRANTY: Guarantee is 12 months from purchase date, proof of which will be required for any claim.