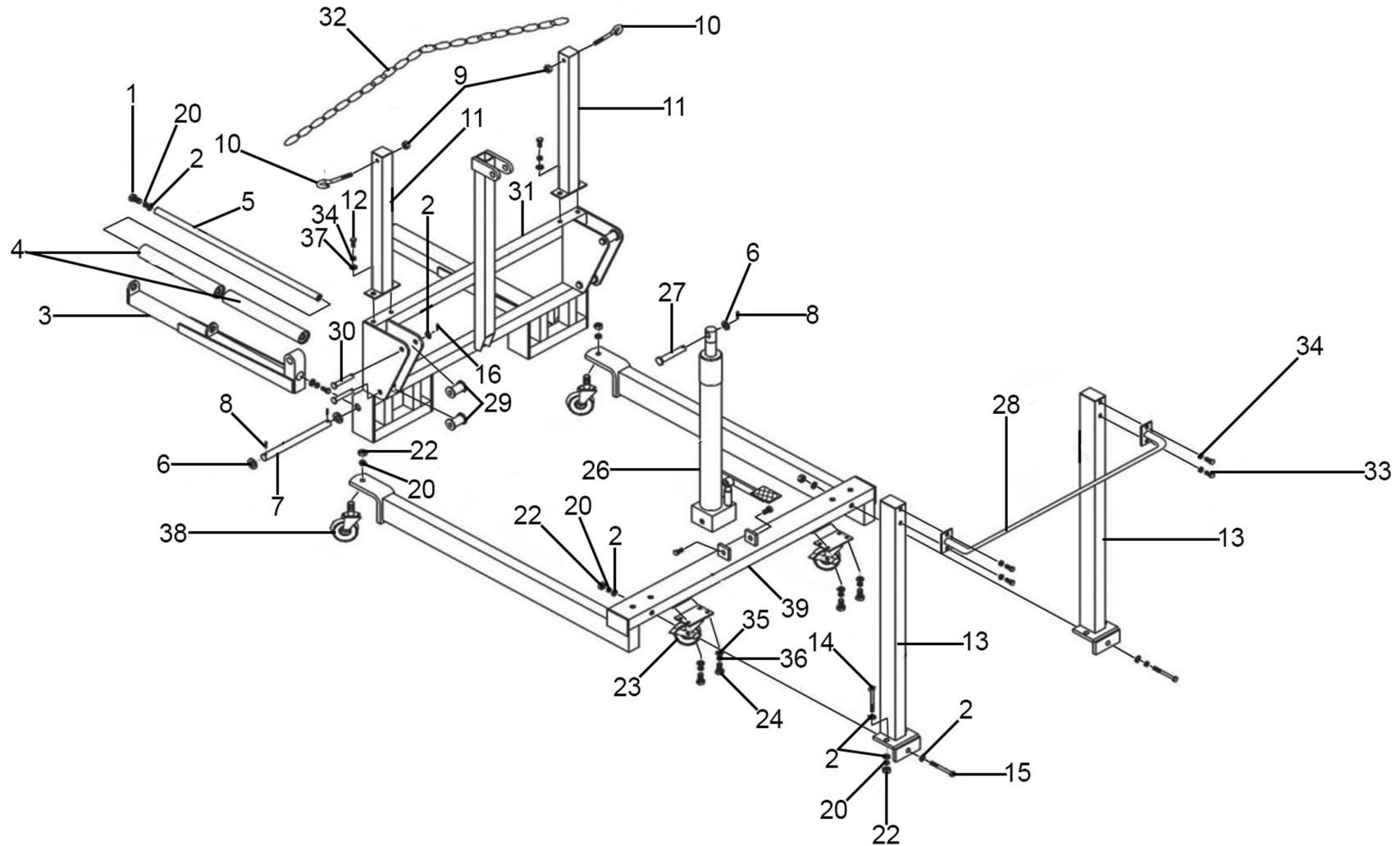




Parts Information:
Wheel Removal Trolley 500kg Adjustable Width
Model No: W508T.V3



NOTE: It is our policy to continually improve products and as such we reserve the right to alter data, specifications and component parts without prior notice.

There may be alternative versions of this product, please contact us should you require this information.

IMPORTANT: No liability is accepted for incorrect use of product. Spare parts must be fitted by a competent person

WARRANTY: Guarantee is 12 months from purchase date, proof of which will be required for any claim.

Sealey Group, Kempson Way, Suffolk Business Park, Bury St Edmunds, Suffolk. IP32 7AR



01284 757500



01284 703534



sales@sealey.co.uk



www.sealey.co.uk



Parts Information:
Wheel Removal Trolley 500kg Adjustable Width
Model No: W508TV3

Item	Part No.	Description	Qty
1	W508TV2-01	Screw	2
2	W508TV2-02	Flat Washer	12
3	W508TV2-03	Support Beam	2
4	W508TV2-04	Roller Tube A	4
5	W508TV2-05	Axle	2
6	FWM20.S	Flat Washer M20	5
7	W508TV2-07	Axle	2
8	W508TV2-08	Cotter Pin	3
9	SN8.SW	Wing Nut M8	2
10	W508TV2-10	Hook	2
11	W508TV2-11	Column	2
12	W508TV2-12	Screw	4
13	W508TV2-13	Post	2
14	W508TV2-14	Bolt	4
15	W508TV2-15	Bolt	2
16	W508TV2-16	Cotter Pin 3 x 18	2
20	SWM12.S	Spring Washer M12	8
22	SCB1225.SB	Socket Cap Bolt M12 x 25mm Black	8

Item	Part No.	Description	Qty
23	W508TV3-23	Wheel , Swivel Castor (c/w Brake)	2
24	W508TV2-24	Screw	8
26	W508TV2-26	Hydraulic Jack	1
27	W508TV2-27	Pin	1
28	W508TV2-28	Handle	1
29	W508TV2-29	Roller Tube B	4
30	W508TV2-30	Pin	4
31	W508TV2-31	Lifting Bracket	1
32	W508TV2-32	Safety Chain	1
33	W508TV2-33	Screw	4
34	W508TV2-34	Spring Washer	4
35	W508TV2-35	Washer	8
36	W508TV2-36	Spring Washer	8
37	W508TV2-37	Washer	4
38	W508TV2-38	Wheel, Front Swivel Castor	2
39	W508TV2-39	Base Beam	1
--	W508TV2-21	Screw (Not Shown)	--

NOTE: It is our policy to continually improve products and as such we reserve the right to alter data, specifications and component parts without prior notice. There may be alternative versions of this product, please contact us should you require this information.

IMPORTANT: No liability is accepted for incorrect use of product. Spare parts must be fitted by a competent person

WARRANTY: Guarantee is 12 months from purchase date, proof of which will be required for any claim.

Sealey Group, Kempson Way, Suffolk Business Park, Bury St Edmunds, Suffolk. IP32 7AR



01284 757500



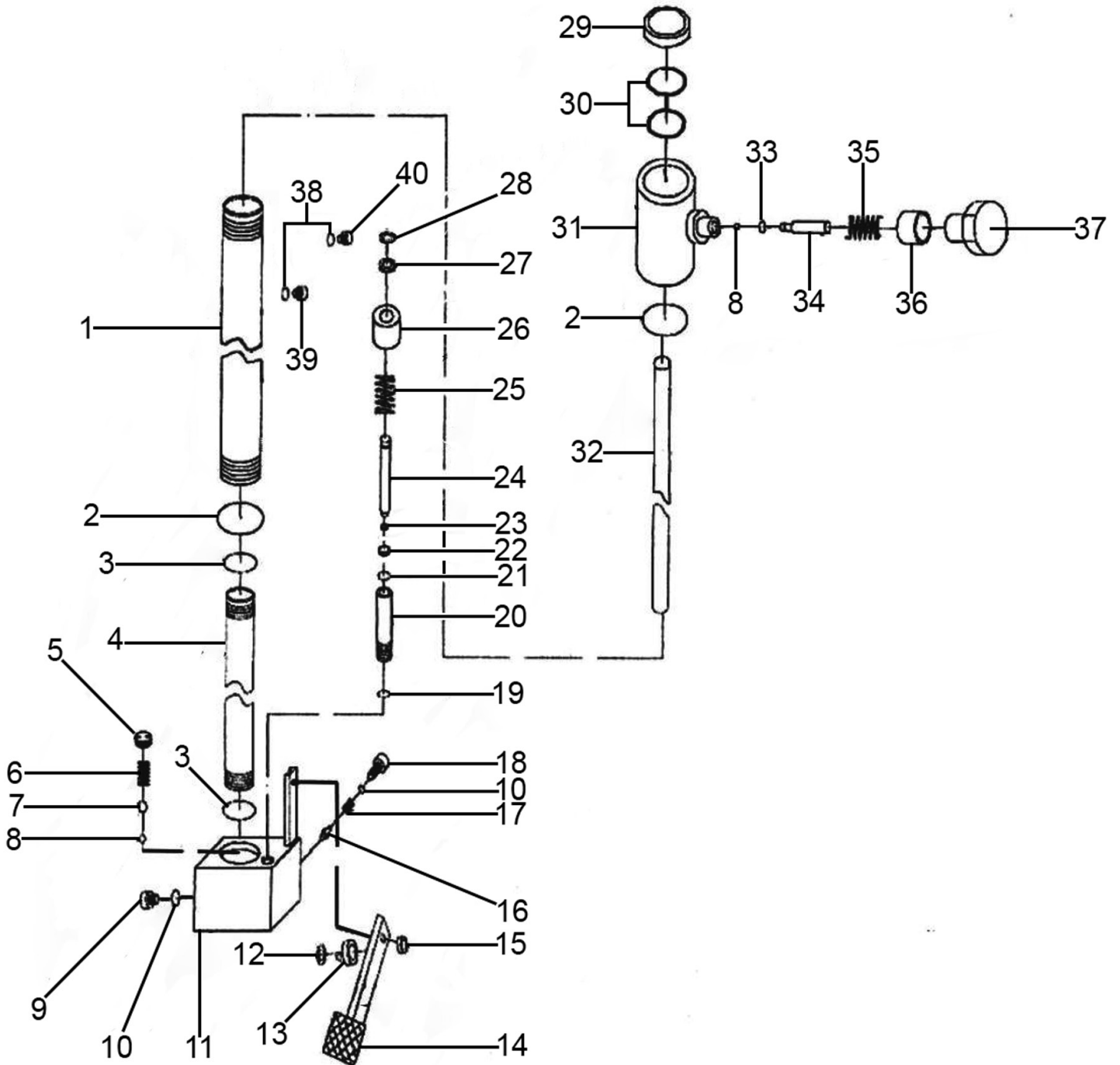
01284 703534



sales@sealey.co.uk



www.sealey.co.uk



NOTE: It is our policy to continually improve products and as such we reserve the right to alter data, specifications and component parts without prior notice. There may be alternative versions of this product, please contact us should you require this information.

IMPORTANT: No liability is accepted for incorrect use of product. Spare parts must be fitted by a competent person

WARRANTY: Guarantee is 12 months from purchase date, proof of which will be required for any claim.



Parts Information:
**Wheel Removal Trolley 500kg Adjustable
Width**
Model No: W508TV3

Item	Part No.	Description	Qty
1	W508TV2-A01	Reservoir	1
2	W508TV2-A02	O-Ring	2
3	W508TV2-A03	O-Ring	2
4	W508TV2-A04	Cylinder	1
5	W508TV2-A05	Screw	1
6	W508TV2-A06	Spring	1
7	W508TV2-A07	Steel Ball	1
8	W508TV2-A08	Steel Ball	2
9	W508TV2-A09	Screw	1
10	W508TV2-A10	O-Ring	2
11	W508TV2-A11	Base	1
12	W508TV2-A12	Snap Ring	1
13	W508TV2-A13	Roller	1
14	W508TV2-A14	Foot Pedal	1
15	W508TV2-A15	Nut	1
16	W508TV2-A16	Valve Rod	1
17	W508TV2-A17	Adjustment Spring	1
18	W508TV2-A18	Screw	1
19	W508TV2-A19	O-Ring	1
20	W508TV2-A20	Pump Cylinder	1

Item	Part No.	Description	Qty
21	W508TV2-A21	O-Ring	1
22	W508TV2-A22	Dust Seal	1
23	W508TV2-A23	Y-Seal	1
24	W508TV2-A24	Piston Rod	1
25	W508TV2-A25	Spring	1
26	W508TV2-A26	Dust Cover	1
27	W508TV2-A27	Flat Washer	1
28	W508TV2-A28	Snap Ring	1
29	W508TV2-A29	Dust Seal	1
30	W508TV2-A30	O-Ring	2
31	W508TV2-A31	Cylinder Head	1
32	W508TV2-A32	Ram	1
33	W508TV2-A33	O-Ring	1
34	W508TV2-A34	Release Rod	1
35	W508TV2-A35	Spring	1
36	W508TV2-A36	Cover	1
37	W508TV2-A37	Knob	1
38	W508TV2-A38	O-Ring	2
39	W508TV2-A39	Valve, Air Vent	1
40	W508TV2-A40	Screw	1

NOTE: It is our policy to continually improve products and as such we reserve the right to alter data, specifications and component parts without prior notice. There may be alternative versions of this product, please contact us should you require this information.

IMPORTANT: No liability is accepted for incorrect use of product. Spare parts must be fitted by a competent person

WARRANTY: Guarantee is 12 months from purchase date, proof of which will be required for any claim.

Sealey Group, Kempson Way, Suffolk Business Park, Bury St Edmunds, Suffolk. IP32 7AR



01284 757500



01284 703534



sales@sealey.co.uk



www.sealey.co.uk