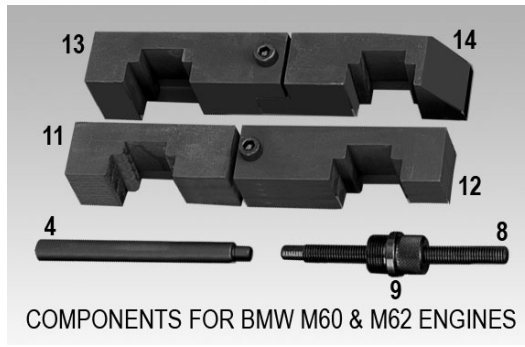
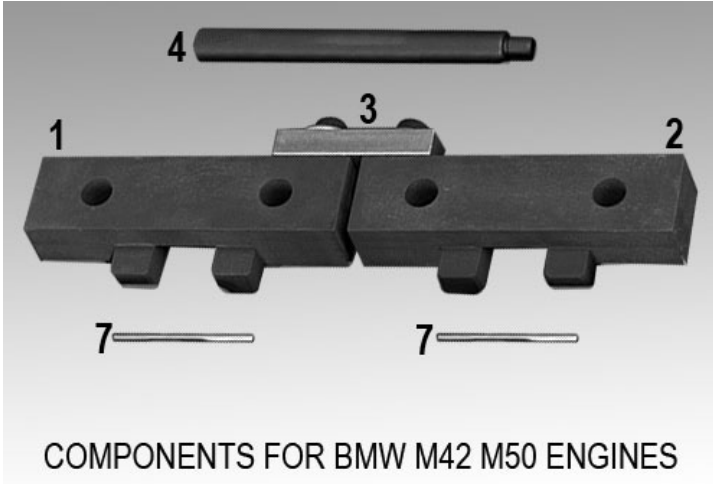
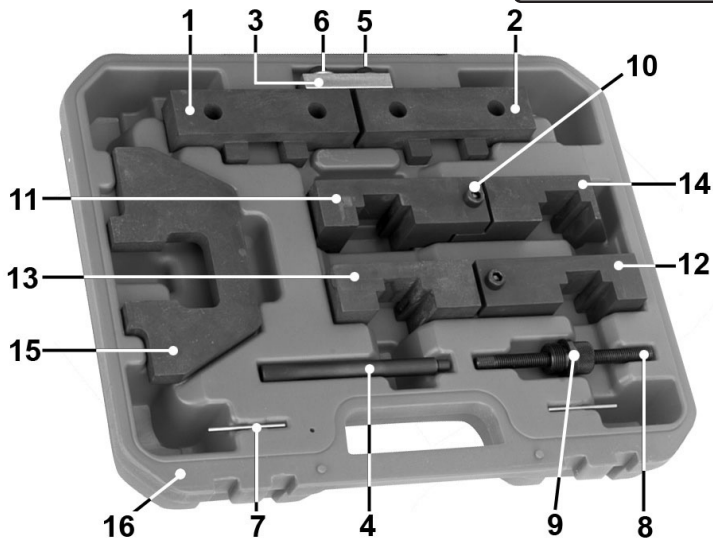




Parts Information:  
**Petrol Engine Setting/Locking Kit - BMW - Chain Drive**  
**Model No: VSE135.V2**



Item	Part No.	Description
1	VSE135.V2-01	LEFT SWIVEL LOCK PLATE
2	VSE135.V2-02	RIGHT SWIVEL LOCK PLATE
3	VSE135.V2-03	JOINT
4	VSE135.V2-04	CAMSHAFT ALIGNMENT TOOL (BMW)
5	VSE135.V2-05	SCREW (M8*P1.25)
6	VSE135.V2-06	WASHER
7	VSE135.V2-07	PIN
8	VSE135.V2-08	TENSIONER STUD

Item	Part No.	Description
9	VSE135.V2-09	TENSIONER FLANGE LOCKNUT THREAD
10	VSE135.V2-10	HEX HEAD SCREW (8*P1.5x30L)
11	VSE135.V2-11	BLOCK (A1-4)
12	VSE135.V2-12	BLOCK (E1-4)
13	VSE135.V2-13	BLOCK (E5-8)
14	VSE135.V2-14	BLOCK (A5-8)
15	VSE135.V2-15	CYLINDER CAMSHAFT PLATE
16	VSE135.V2-16	RED BLOW CASE

**NOTE:** It is our policy to continually improve products and as such we reserve the right to alter data, specifications and component parts without prior notice.

**IMPORTANT:** No liability is accepted for incorrect use of product.

**WARRANTY:** Guarantee is 12 months from purchase date, proof of which will be required for any claim.

Sealey Group, Kempson Way, Suffolk Business Park, Bury St Edmunds, Suffolk. IP32 7AR



01284 757500



01284 703534



sales@sealey.co.uk



www.sealey.co.uk