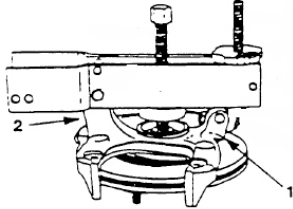
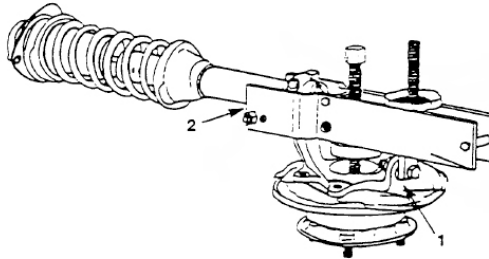


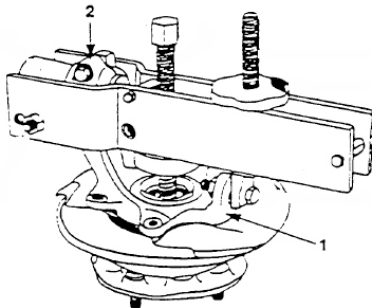
## FORD TYPE HUBS



## HONDA/CAMIRA TYPE HUBS WITH STRUT



## HONDA TYPE HUBS WITHOUT STRUT



Item	Part No.	Description
1	VS702.B	ADJUSTING SCREW

Item	Part No.	Description
2	VS702.D	FORCING SCREW ASSEMBLY

Item	Part No.	Description
PARTS NOT SHOWN		
--		YOKE ASSEMBLY
--		ADJUSTING SCREW
--		ADJUSTING SCREW NUT
--		FORCING SCREW ASSEMBLY
--		BOLT/NUT M12X50 X2

Item	Part No.	Description
--		BOLT/NUT M12X110
--		SAAB ADAPTOR
--		ADAPTOR PLATE
--		SET SCREW M10X25 X2
--		SET SCREW M12X25
--		HONDA ADAPTOR PLATE
--		ADAPTOR TUBE

**NOTE:** It is our policy to continually improve products and as such we reserve the right to alter data, specifications and component parts without prior notice.

**IMPORTANT:** No liability is accepted for incorrect use of product.

**WARRANTY:** Guarantee is 12 months from purchase date, proof of which will be required for any claim.