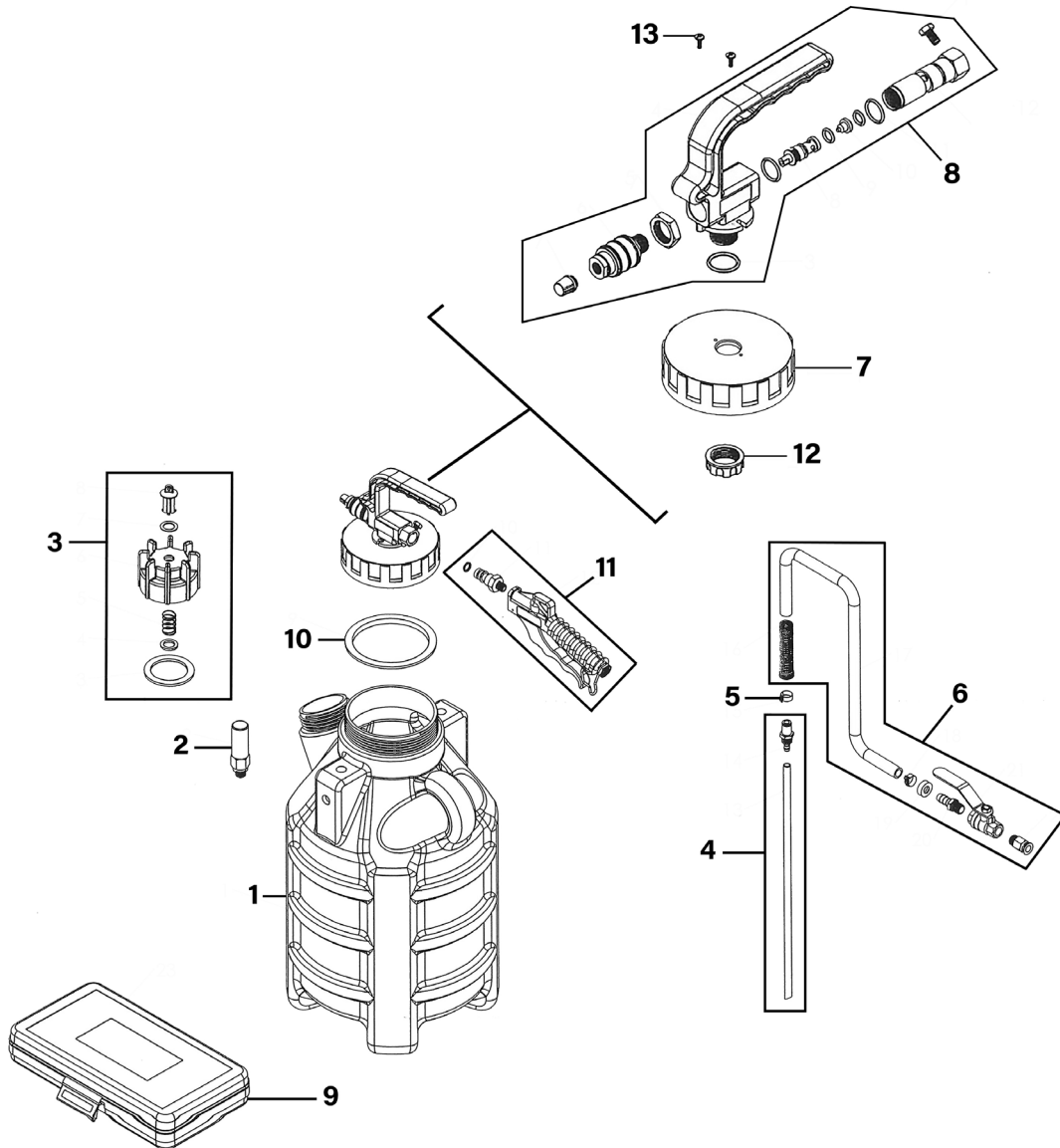




Parts Information:
Transmission Oil Filling System Pneumatic 10L
Model No: VS7019



Item	Part No.	Description
1	VS7019-01	Fluid Tank 10ltr
2	VS7019-02	Bracket
3	VS7019-03	Safety Valve Assembly
4	VS7019-04	Fluid Pipe Assembly
5	VS7019-05	Hose Clip
6	VS7019-06	Suction Tube
7	VS7019-07	Tank Lid
8	VS7019-08	Vacuum Trigger Assembly
9	VS7019-09	Storage Case (c/w Transmission Fluid Adaptors)
10	VS7109.02	Cap Washer Rubber, Large
11	VS830-08	Trigger Assembly

Item	Part No.	Description
12	VS830-10	Lock Nut
13	MSP48.S	Machine Screw Pan Head Phillips M4 X 8mm
--	VS7019-AT101	Adaptor Ford (Not Shown)
--	VS7019-AT102	Adaptor Universal (Not Shown)
--	VS7019-AT103	Adaptor VW Audi (Not Shown)
--	VS7019-AT104	Adaptor VW Audi (Not Shown)
--	VS7019-AT105	Adaptor VW Audi (Not Shown)
--	VS7019-AT106	Adaptor Mercedes (Not Shown)
--	VS7019-AT107	Adaptor Audi/VW DSG (Not Shown)
--	VS7019-AT107	Adaptor Audi/VW CVT (Not Shown)

NOTE: It is our policy to continually improve products and as such we reserve the right to alter data, specifications and component parts without prior notice. There may be alternative versions of this product, please contact us should you require this information.

IMPORTANT: No liability is accepted for incorrect use of product. Spare parts must be fitted by a competent person

WARRANTY: Guarantee is 12 months from purchase date, proof of which will be required for any claim.

Sealey Group, Kempson Way, Suffolk Business Park, Bury St Edmunds, Suffolk. IP32 7AR



01284 757500



sales@sealey.co.uk



www.sealey.co.uk