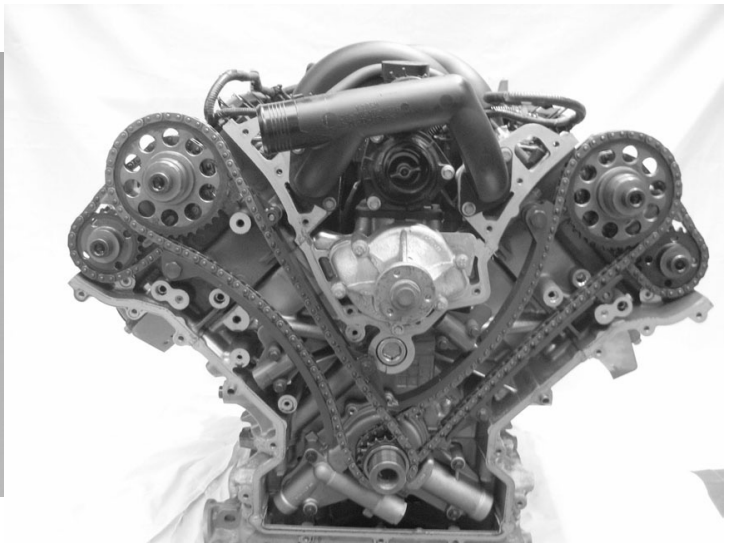
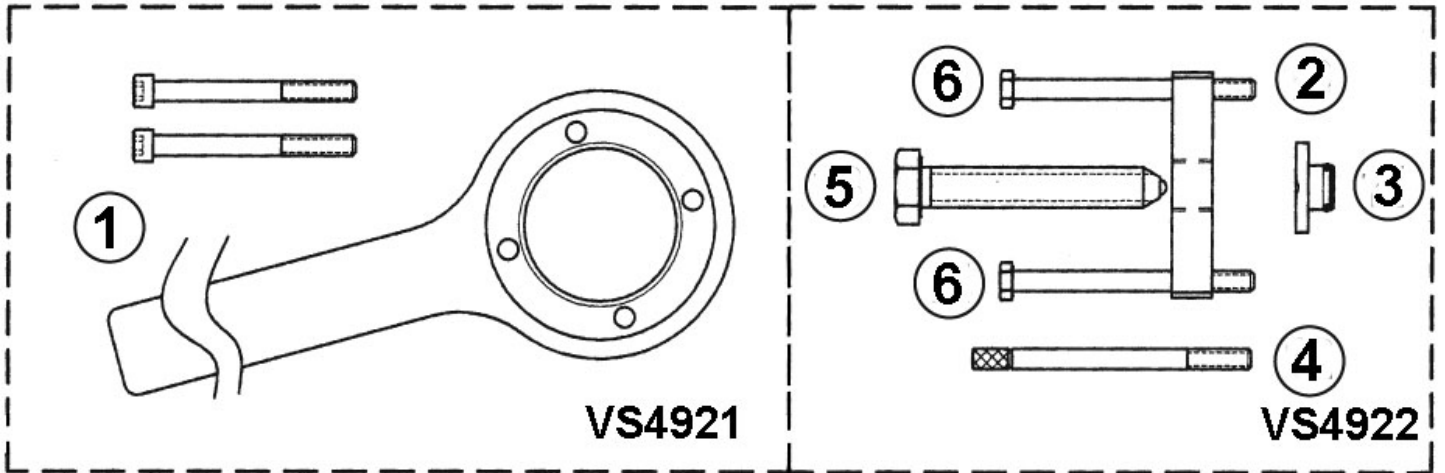




Parts Information:
**Petrol Engine Crankshaft Pulley Removal/
 Installation Kit - Jaguar, Land Rover V8 -
 Chain Drive**
Model No: VS4985



Item	Part No.	Description
1	VS4921	CRANKSHAFT PULLEY HOLDING TOOL

Item	Part No.	Description
	VS4922	CRANKSHAFT PULLEY REMOVER SET (ITEMS 2 - 6)

NOTE: It is our policy to continually improve products and as such we reserve the right to alter data, specifications and component parts without prior notice.

IMPORTANT: No liability is accepted for incorrect use of product.

WARRANTY: Guarantee is 12 months from purchase date, proof of which will be required for any claim.

Sealey Group, Kempson Way, Suffolk Business Park, Bury St Edmunds, Suffolk. IP32 7AR



01284 757500



01284 703534



sales@sealey.co.uk



www.sealey.co.uk