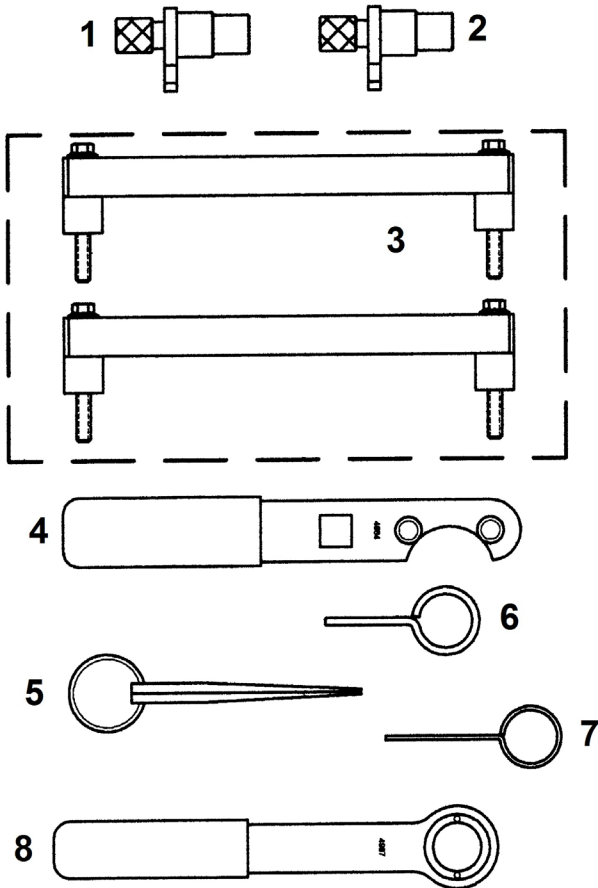




Parts Information:
**Petrol Engine Setting/Locking Kit - Jaguar,
 Land Rover, Daimler 3.2, 3.5, 4.0, 4.2, 4.4
 V8 AJ26/AJ27/AJ28/AJ34 - Chain Drive
 Model No: VS4980**



Item	Part No.	Description
1	VS4981	FLYWHEEL LOCKING PIN
2	VS4982	FLYWHEEL LOCKING PIN
3	VS4983	CAMSHAFT SETTING PLATE SET (PAIR)
4	VS4984	CAMSHAFT GEAR HOLDING TOOL
5	VS4986	TENSIONER WEDGE TOOL

Item	Part No.	Description
6	VS4975T8	CHAIN TENSIONER LOCKING PIN
7	VS4593-1A	LOCKING PIN
8	VS4987	VVT UNIT SETTING TOOL
--	VS4980-84	CASE + INSERT

NOTE: It is our policy to continually improve products and as such we reserve the right to alter data, specifications and component parts without prior notice.

IMPORTANT: No liability is accepted for incorrect use of product.

WARRANTY: Guarantee is 12 months from purchase date, proof of which will be required for any claim.

Sealey Group, Kempson Way, Suffolk Business Park, Bury St Edmunds, Suffolk. IP32 7AR



01284 757500



01284 703534



sales@sealey.co.uk



www.sealey.co.uk