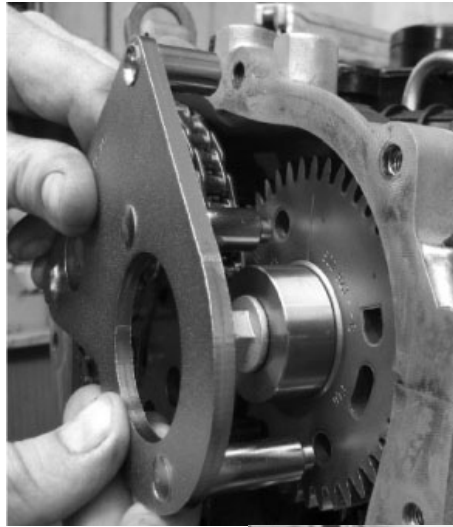
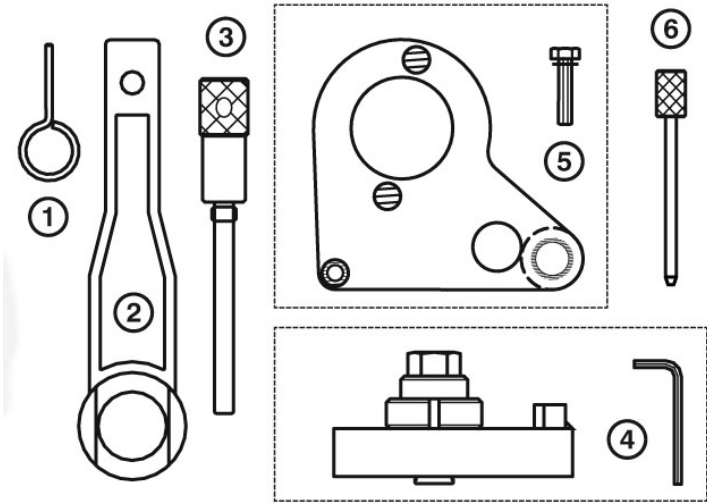




Parts Information:  
**Diesel Engine Setting/Locking Kit - Nissan,  
 Renault, Vauxhall/Opel 2.0dCi - Chain  
 Drive**  
**Model No: VS4975**



Item	Part No.	Description
1	VS4975T8	CHAIN TENSIONER LOCKING PIN
2	VS4976	CRANKSHAFT PULLEY HOLDING TOOL
3	VS4977	CRANKSHAFT LOCKING PIN
4	VS4978	CAMSHAFT GEAR ALIGNMENT FIXTURE

Item	Part No.	Description
5	VS4979	CAMSHAFT SETTING TOOL
6	VS3032.20	TENSIONER LOCKING PIN
--	VS4975-84	CASE + INSERT

**NOTE:** It is our policy to continually improve products and as such we reserve the right to alter data, specifications and component parts without prior notice.

**IMPORTANT:** No liability is accepted for incorrect use of product.

**WARRANTY:** Guarantee is 12 months from purchase date, proof of which will be required for any claim.

**Sealey Group**, Kempson Way, Suffolk Business Park, Bury St Edmunds, Suffolk. IP32 7AR



01284 757500



01284 703534



sales@sealey.co.uk



www.sealey.co.uk