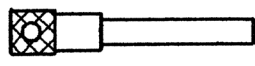
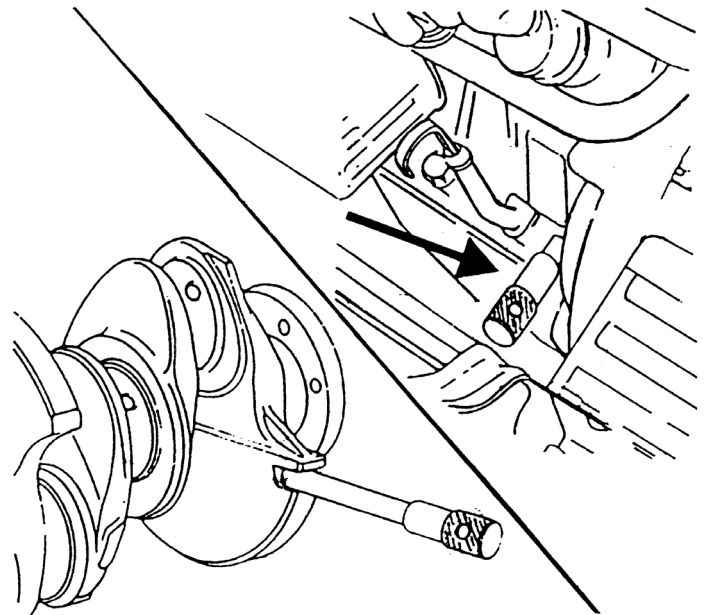
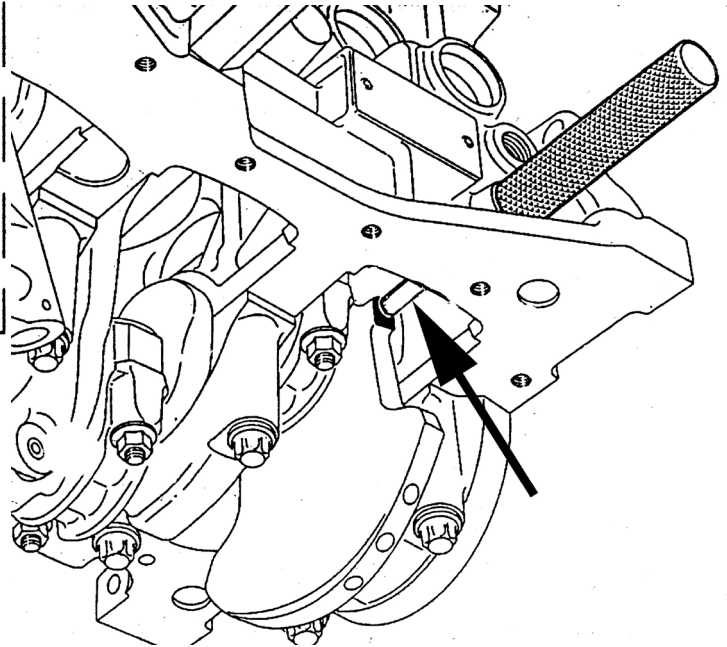
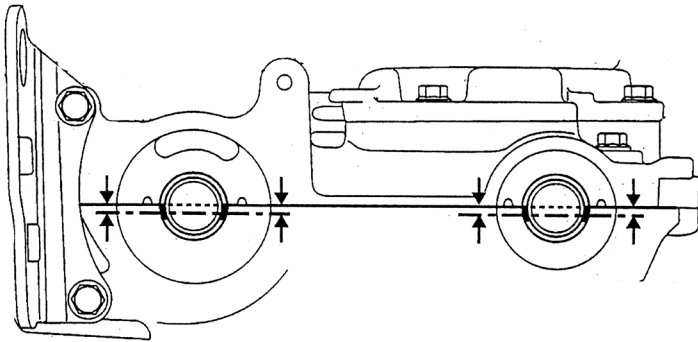


2



3



| Item | Part No. | Description                               |
|------|----------|---|
| 1    | VS4561A  | CAMSHAFT SETTING PLATE SET (c/w BRACKETS) |
| 2    | VS4562A  | CRANKSHAFT LOCKING PIN                    |

| Item | Part No.  | Description               |
|------|-----------|---------------------------|
| 3    | VS125/R1  | CRANK LOCKING PIN         |
| --   | VS4960-84 | CASE + INSERT (NOT SHOWN) |

**NOTE:** It is our policy to continually improve products and as such we reserve the right to alter data, specifications and component parts without prior notice.

**IMPORTANT:** No liability is accepted for incorrect use of product.

**WARRANTY:** Guarantee is 12 months from purchase date, proof of which will be required for any claim.