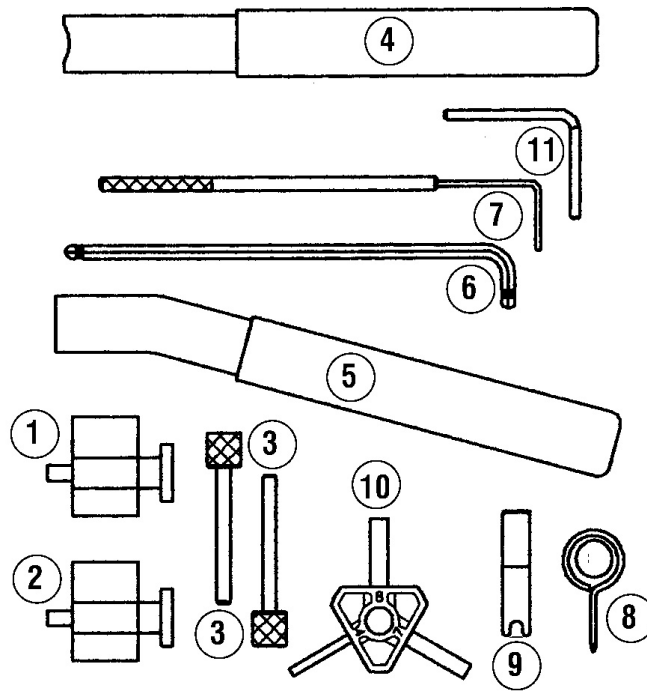




Parts Information:
**Diesel Engine Setting/Locking Kit - VAG
 Pumpe Duse 1.2, 1.4, 1.9, 2.0TDi PD - Belt
 Drive
 Model No: VS4840**



Item	Part No.	Description
1	VS1245/01	Crank Locking Tool (Gold/Round)
2	VS4836	Crankshaft Locking Tool (Silver/Oval)
3	VS124/V2	Injection Pump Locking Pin
4	VS1245/02	Tensioner Adjuster
5	VS12472	Tension Adjuster - VAG
6	VS4837	Tensioner Adjustment Tool

Item	Part No.	Description
7	VS4838	Tensioner Locking Tool
8	VS4640T7	Tensioner Locking Pin(Mech Tensioner)
9	VS1245/03	Tensioner Tool
10	VS1245/04	Tensioner Setting Tool
11	VS4840V4	Auxiliary Belt Tensioner(Locking Pin)
--	VS4840/84	Blow Mould Case (Red,W/Insert) (NOT SHOWN)

NOTE: It is our policy to continually improve products and as such we reserve the right to alter data, specifications and component parts without prior notice.

IMPORTANT: No liability is accepted for incorrect use of product.

WARRANTY: Guarantee is 12 months from purchase date, proof of which will be required for any claim.

Sealey Group, Kempson Way, Suffolk Business Park, Bury St Edmunds, Suffolk. IP32 7AR



01284 757500



01284 703534



sales@sealey.co.uk



www.sealey.co.uk