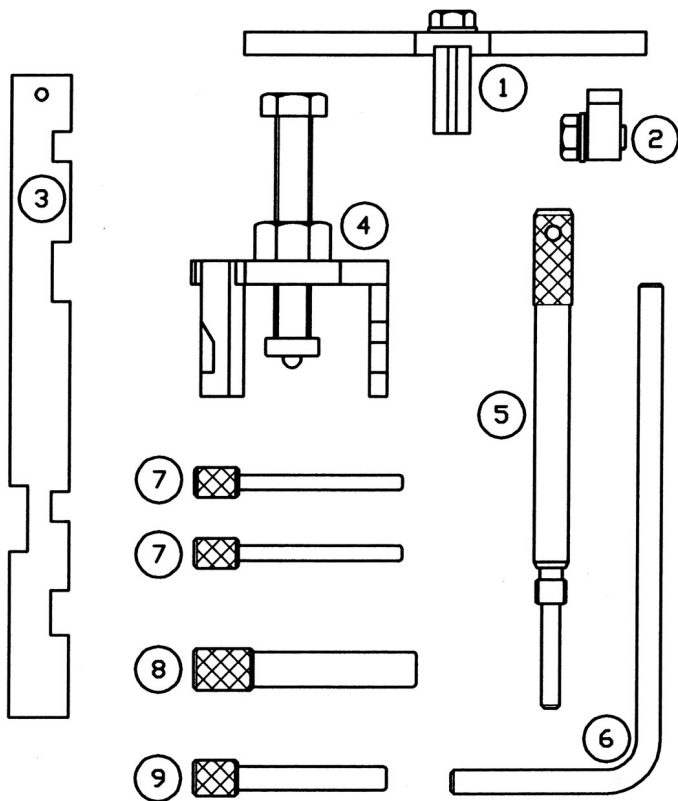




Parts Information:
Diesel Engine Setting/Locking Kit - Ford
1.4, 1.6TDCi 1.8DT/TDCi/TDdi, 2.0TDCi - Belt
Drive
Model No: VS4830



Item	Part No.	Description
1	VS1012/02	FLYWHEEL LOCKING TOOL
2	VS4834-01	ADAPTOR (B)
3	VS4933	CAMSHAFT SETTING PLATE
4	VS1012/01	SPROCKET REMOVER
5	VS101/2	CRANKSHAFT TDC PIN

Item	Part No.	Description
6	VS4830-F6	FLYWHEEL LOCKING PIN
7	VS4735.P15	INJECTION PUMP & CRANKSHAFT LOCKING PIN
8	VS4735.P16	FLYWHEEL LOCKING PIN
9	VS4735.P17	CAMSHAFT LOCKING PIN
--	VS4830-84	BLOW MOULD CASE (RED,W/INSERT)

NOTE: It is our policy to continually improve products and as such we reserve the right to alter data, specifications and component parts without prior notice.

IMPORTANT: No liability is accepted for incorrect use of product.

WARRANTY: Guarantee is 12 months from purchase date, proof of which will be required for any claim.

Sealey Group, Kempson Way, Suffolk Business Park, Bury St Edmunds, Suffolk. IP32 7AR



01284 757500



01284 703534



sales@sealey.co.uk



www.sealey.co.uk