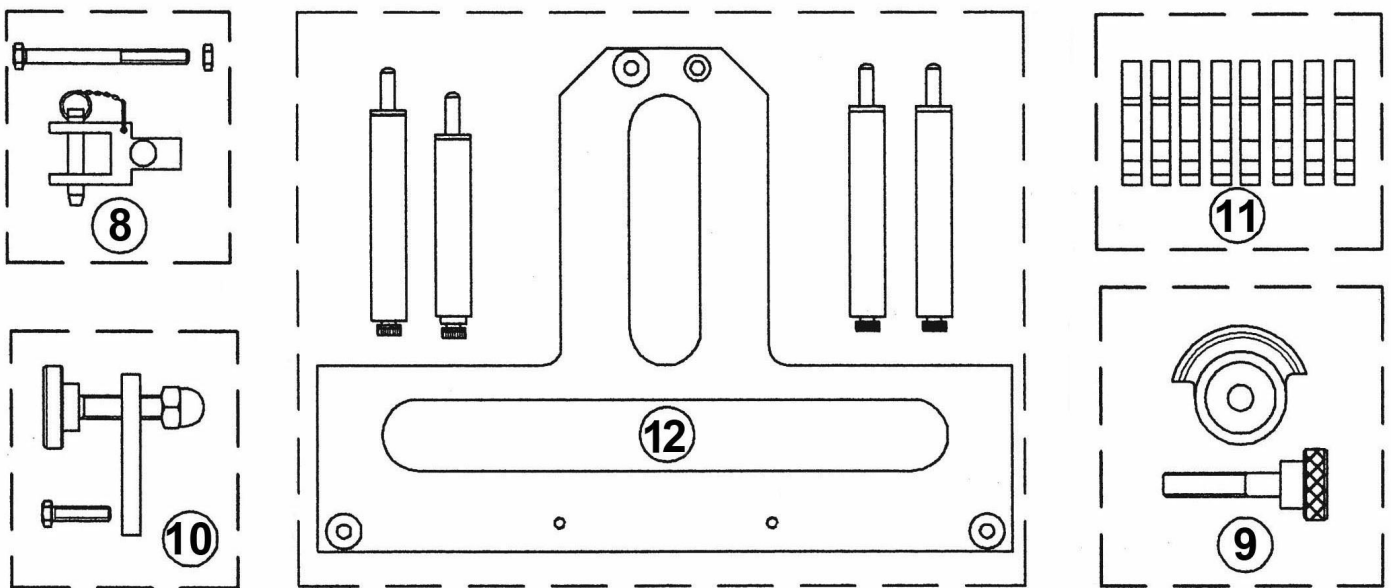




Parts Information:
**Petrol Engine Camshaft/Carrier Bracket
 Remover & Installer Tool Kit - BMW - Chain
 Drive**
Model No: VS4815



Item	Part No.	Description
8	VS4814	TORSION SPRING REMOVER/INSTALLER
9	VS4816	INLET CAMSHAFT SECURING TOOL(FRONT)
10	VS4817	INLET CAMSHAFT SECURING TOOL(REAR)

Item	Part No.	Description
11	VS4818	INTERMEDIATE LEVER CLAMP SET(8pcs)
12	VS4819	CAMSHAFT/CARRIER BRACKET MOUNTING FIXTUR
--	VS4815/84	CASE AND INSERT (NOT SHOWN)

NOTE: It is our policy to continually improve products and as such we reserve the right to alter data, specifications and component parts without prior notice.

IMPORTANT: No liability is accepted for incorrect use of product.

WARRANTY: Guarantee is 12 months from purchase date, proof of which will be required for any claim.

Sealey Group, Kempson Way, Suffolk Business Park, Bury St Edmunds, Suffolk. IP32 7AR



01284 757500



01284 703534



sales@sealey.co.uk



www.sealey.co.uk