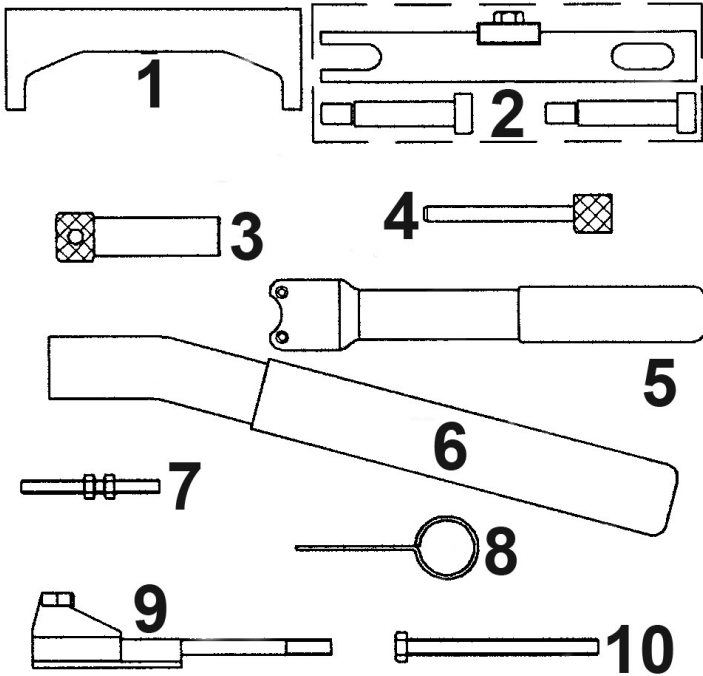




Parts Information:  
**Diesel/Petrol Engine Setting/Locking Kit - VAG - Belt Drive**  
**Model No: VS4740**



Item	Part No.	Description
1	VS101/1	CAMSHAFT LOCKING TOOL
2	VS4749	CAMSHAFT SETTING PLATES-VAG1.9SDi/ TDI-CA
3	VS101/5	PIN, LOCKING 15.4mm
4	VS124/V2	INJECTION PUMP LOCKING PIN
5	VS124/03	TENSIONER ADJUSTER

Item	Part No.	Description
6	VS12472	TENSION ADJUSTER VAG
7	VS124/T1	TENSIONER LOCKING PIN
8	VS4593-E1	TENSIONER LOCK PIN
9	VS4809	CHAIN TENSIONER RETAINER
10	VS124/V1	VISCOUS FAN RETAINING BOLT
--	VS4740/84	CASE AND INSERT (NOT SHOWN)

**NOTE:** It is our policy to continually improve products and as such we reserve the right to alter data, specifications and component parts without prior notice.

**IMPORTANT:** No liability is accepted for incorrect use of product.

**WARRANTY:** Guarantee is 12 months from purchase date, proof of which will be required for any claim.

**Sealey Group**, Kempson Way, Suffolk Business Park, Bury St Edmunds, Suffolk. IP32 7AR



01284 757500



01284 703534



sales@sealey.co.uk



www.sealey.co.uk