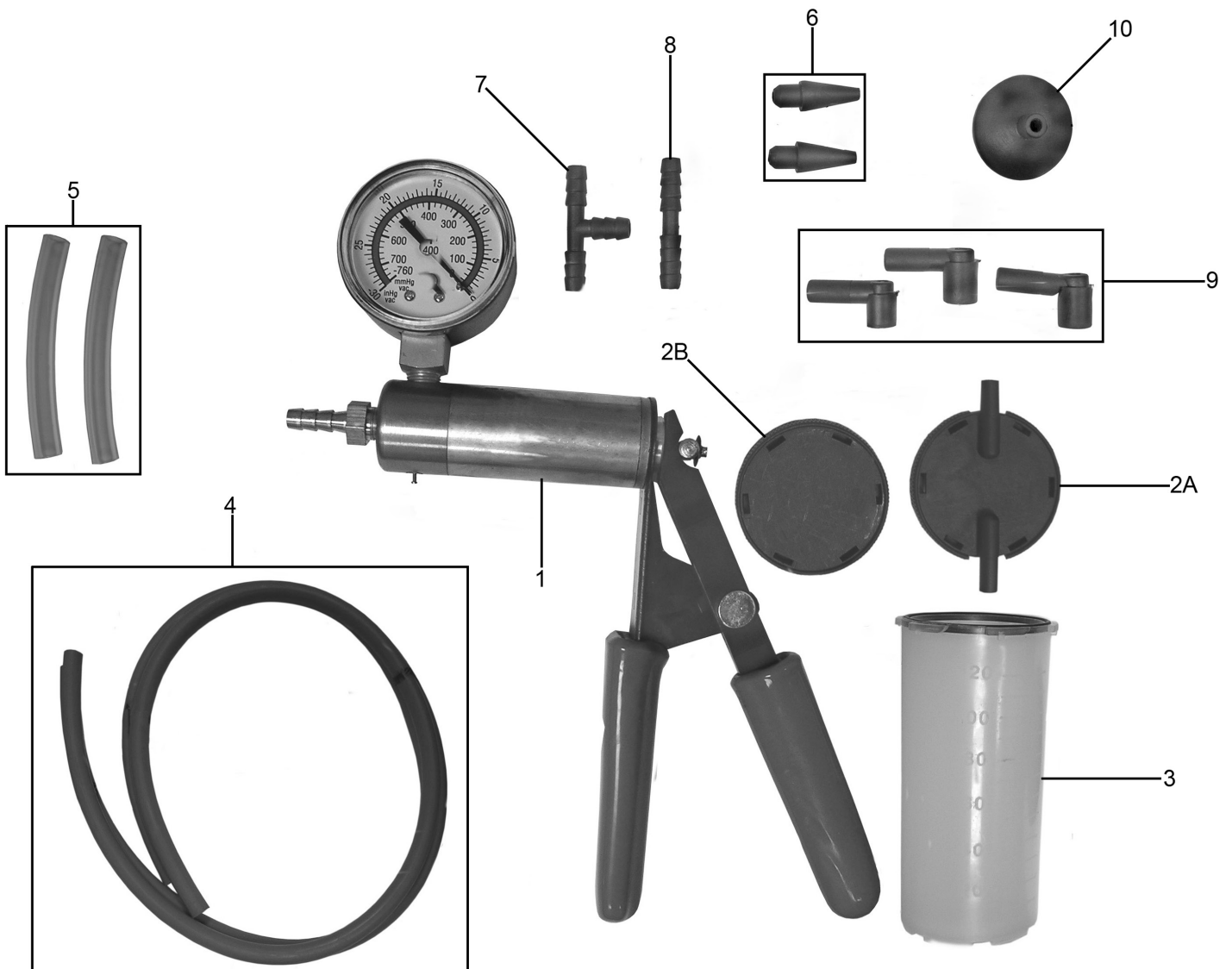




Parts Information:
Vacuum Tester & Brake Bleeding Kit
Model No: VS402



Item	Part No.	Description
1	VS402.01	Vacuum Pump Assembly
2A	VS402.02A	Pot Lid A
2B	VS402.02B	Pot Lid B
3	VS402.V3-03	Reservoir Jar
4	VS402.04	Vacuum Hose, Large (Set of 2)
5	VS402.05	Vacuum Hose, Small (Set of 2)

Item	Part No.	Description
6	VS402.06	Hose Adaptor (Set of 2)
7	VS402.07	Hose Connector, 3-Way
8	VS402.08	Hose Connector
9	VS402.09	Brake Bleeder Screw Adaptor (Set of 3)
10	VS402.10	Adaptor, Cup

NOTE: It is our policy to continually improve products and as such we reserve the right to alter data, specifications and component parts without prior notice. There may be alternative versions of this product, please contact us should you require this information.

IMPORTANT: No liability is accepted for incorrect use of product. Spare parts must be fitted by a competent person

WARRANTY: Guarantee is 12 months from purchase date, proof of which will be required for any claim.

Sealey Group, Kempson Way, Suffolk Business Park, Bury St Edmunds, Suffolk. IP32 7AR



01284 757500



01284 703534



sales@sealey.co.uk



www.sealey.co.uk