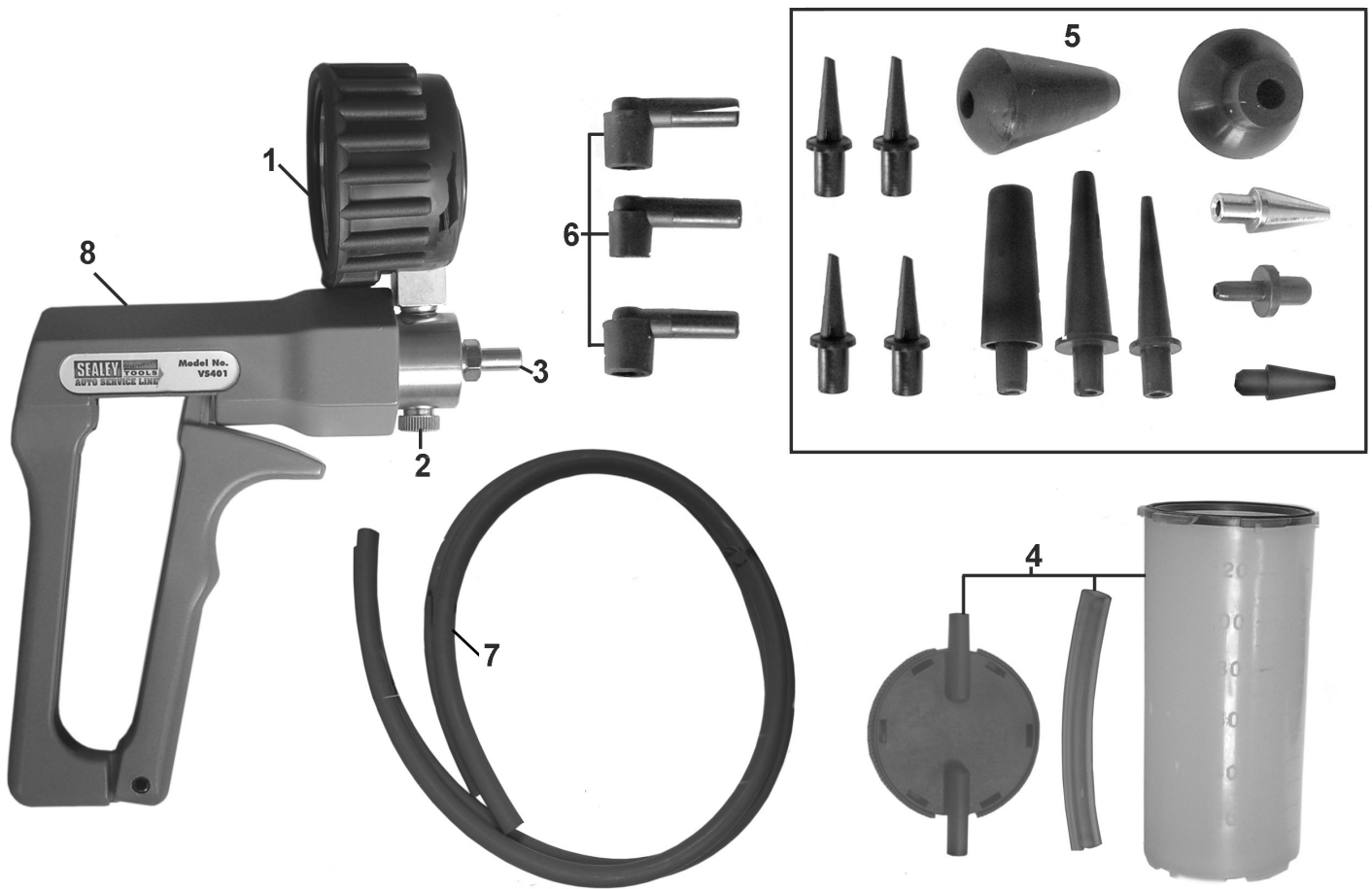




Parts Information:
Vacuum Testing & Brake Bleeding Kit
Model No: VS401



Item	Part No.	Description
1	VS401.10	Gauge 76CMHG, 65mm OD, BTM Fitting
--	VS401.11	Maintenance Kit (NOT SHOWN)
--	VS401.12	Piston/Rod Assembly (NOT SHOWN)
2	VS401.13	Release Valve Screw
3	VS401.14	Hose Fitting

Item	Part No.	Description
4	VS401.15	Container Assembly Kit
5	VS401.16	Vacuum Fittinh Kit
6	VS401.17	Bleeder Fittings Kit
7	VS401.18	Hose Kit
8	VS401.20	Vacuum Pump

NOTE: It is our policy to continually improve products and as such we reserve the right to alter data, specifications and component parts without prior notice.

IMPORTANT: No liability is accepted for incorrect use of product.

WARRANTY: Guarantee is 12 months from purchase date, proof of which will be required for any claim.

Sealey Group, Kempson Way, Suffolk Business Park, Bury St Edmunds, Suffolk. IP32 7AR



01284 757500



01284 703534



sales@sealey.co.uk



www.sealey.co.uk