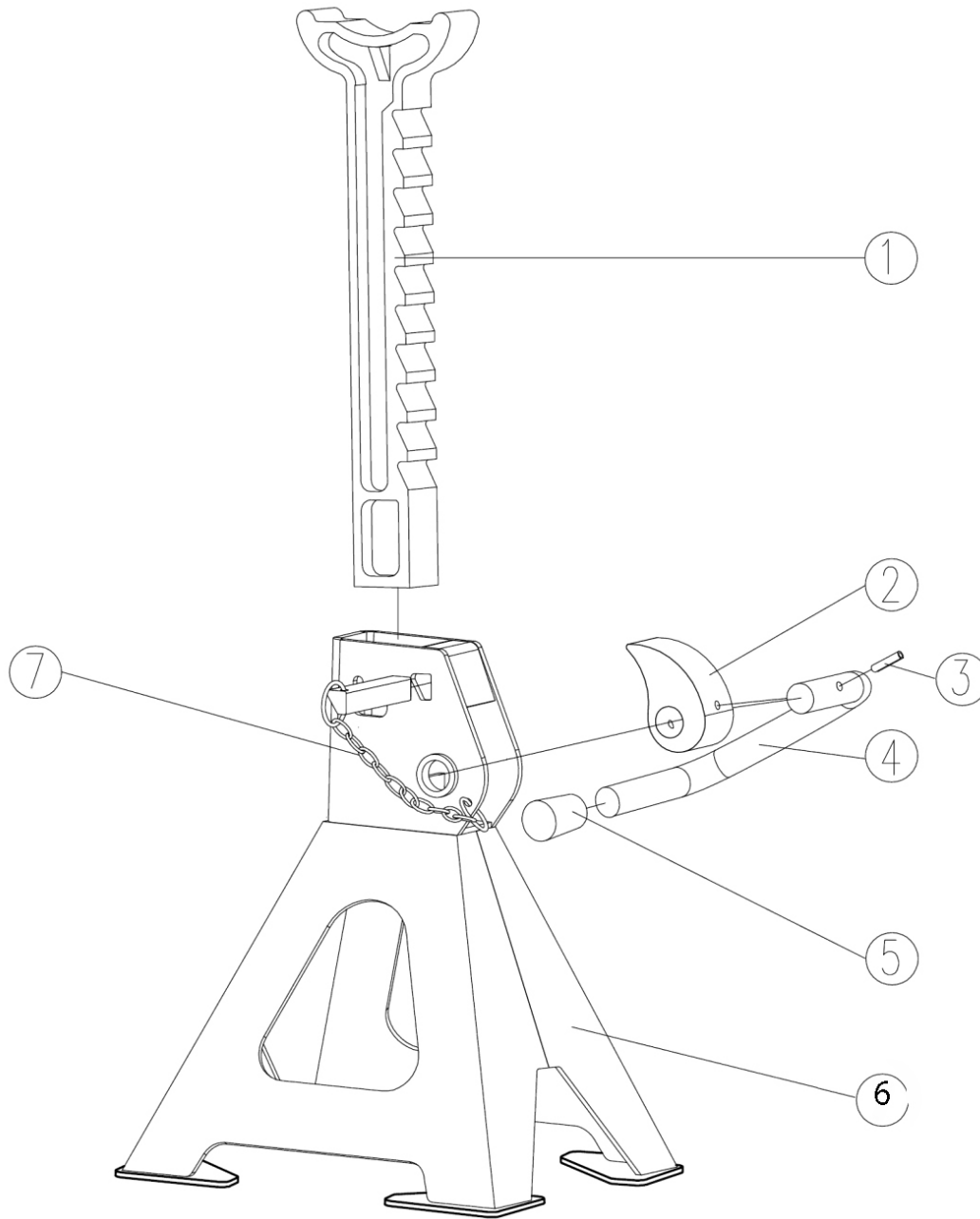


Parts Information:
**Axle Stands (Pair) 2tonne Capacity per
 Stand Ratchet Type with Safety Pin
 Model No: VS2002DL**



Item	Part No.	Description
1	VS2002DL.01	RATCHET BAR
2	VS2002DL.02	LOCKING PAWL
3	VS2002DL.03	SPRING PIN 4x25mm
4	VS2002DL.04	LOCKING HANDLE

Item	Part No.	Description
5	VS2002DL.05	HANDLE SLEEVE
6	VS2002DL.06	BASE FRAME
7	VS2002DL.07	SAFETY PIN ASSEMBLY

NOTE: It is our policy to continually improve products and as such we reserve the right to alter data, specifications and component parts without prior notice.

IMPORTANT: No liability is accepted for incorrect use of product.

WARRANTY: Guarantee is 12 months from purchase date, proof of which will be required for any claim.