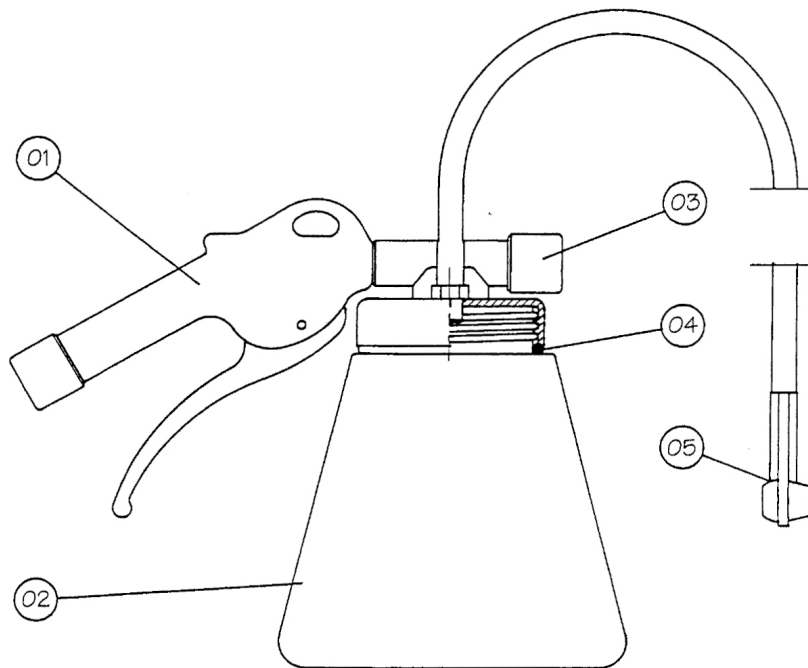




Parts Information:
Brake Bleeder Vacuum Type
Model No: VS020



Item	Part No.	Description
1	390/143814	HANDLE COMPLETE
2	390/143201	CONTAINER, PLASTIC
3	390/143800	SILENCER

Item	Part No.	Description
4	390/143206	O-RING 55mm x 4mm
5	390/143816	HOSE WITH RUBBER PIPE

NOTE: It is our policy to continually improve products and as such we reserve the right to alter data, specifications and component parts without prior notice.

IMPORTANT: No liability is accepted for incorrect use of product.

WARRANTY: Guarantee is 12 months from purchase date, proof of which will be required for any claim.

Sealey Group, Kempson Way, Suffolk Business Park, Bury St Edmunds, Suffolk. IP32 7AR



01284 757500



01284 703534



sales@sealey.co.uk



www.sealey.co.uk