

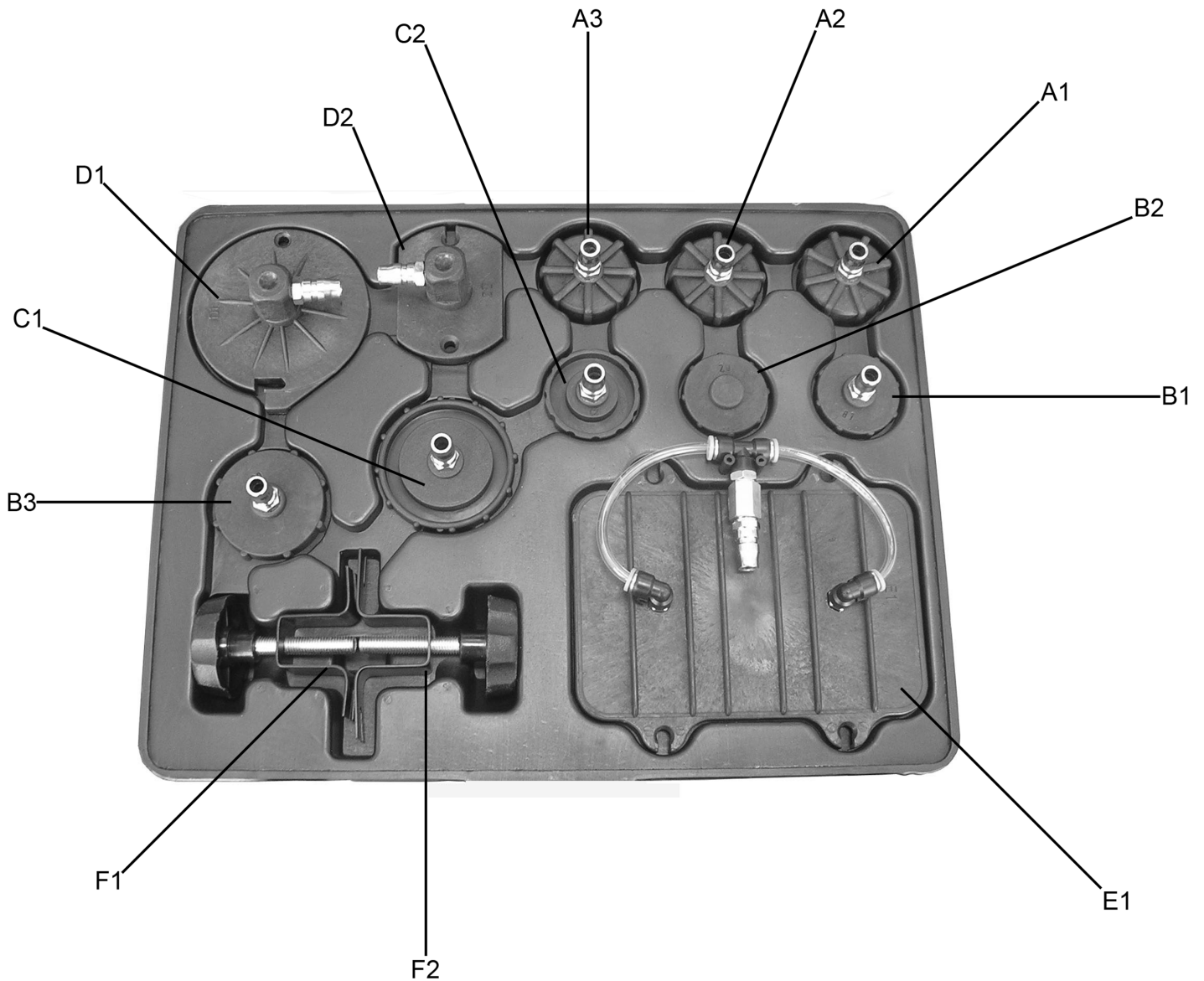
Item	Part No.	Description
1	VS0204.01	Handle Bar
2	VS0204.02	Tank Cap
3	VS0204.03	O-Ring
4	VS0204.V2-04	Tank, Upper
5	CBN1020.S	Coach Bolt M10 x 20mm
6	VS0204.06	Rubber Insert
7	VS0204.07	Tank, Lower
8	VS0204.08	Connector 1/8"F x 1/4"M
9	VS0204.09	Connector 1/8"
10	VS0204.10	Tube Lock
11	VS0204.11	Tube
12	VS0204.12	Elbow Connector
13	FN10.S	Flange Nut, Serrated M10
14	VS0204.14	Air Inlet Connector

Item	Part No.	Description
15	VS0204.15	Ball Valve 1/4" F-F
16	VS0204.16	Pressure Regulator
17	VS0204.17	Connector 1/4"
18	VS0204.18	Air Release Safety Valve
19	VS0204.19	4-Way Connector
20	VS0204.V2-20	Oil Delivery Tube
21	VS0204.21	Quick Coupling
22	VS0204.22	3-Way Connector
23	VS0204.V3-23	Gauge
24	VS0204.V2-24	Ball Valve 1/4"F
25	VS0204.V2-25	Hose Connector 1/4"M
--	VS0204.24	Rubber Squeeze (Not Shown)
--	VS0204.25	Fluid Bottle (Not Shown)
--	VS0204.V2-28	Tool Box (Not Shown)

NOTE: It is our policy to continually improve products and as such we reserve the right to alter data, specifications and component parts without prior notice. There may be alternative versions of this product, please contact us should you require this information.

IMPORTANT: No liability is accepted for incorrect use of product. Spare parts must be fitted by a competent person

WARRANTY: Guarantee is 12 months from purchase date, proof of which will be required for any claim.



Item	Part No.	Description
A1	VS0204.A1	Adaptor Cap A1
A2	VS0204.A2	Adaptor Cap A2
A3	VS0204.A3	Adaptor Cap A3
B1	VS0204.B1	Adaptor Cap B1
B2	VS0204.V3-B2	Adaptor Cap B2
B3	VS0204.B3	Adaptor Cap B3
C1	VS0204.C1	Adaptor Cap C1
C2	VS0204.C2	Adaptor Cap C2
D1	VS0204.D1	Adaptor Cap D1

Item	Part No.	Description
D2	VS0204.D2	Adaptor Cap D2
E1	VS0204.V2-E1	Adaptor Cap E1
F1	VS0204.F1	Clamp Assembly F1
F2	VS0204.F2	Clamp Assembly F2
--	VS0204.V2-D1R	Rubber Part (Not Shown)
--	VS0204.V2-29	Funnel (Not Shown)
--	VS0204.V2-21	Quick Coupling 1/4" M (Not Shown)
--	VS0204.V2-32	Clamp Assembly (Not Shown)

NOTE: It is our policy to continually improve products and as such we reserve the right to alter data, specifications and component parts without prior notice. There may be alternative versions of this product, please contact us should you require this information.

IMPORTANT: No liability is accepted for incorrect use of product. Spare parts must be fitted by a competent person

WARRANTY: Guarantee is 12 months from purchase date, proof of which will be required for any claim.