

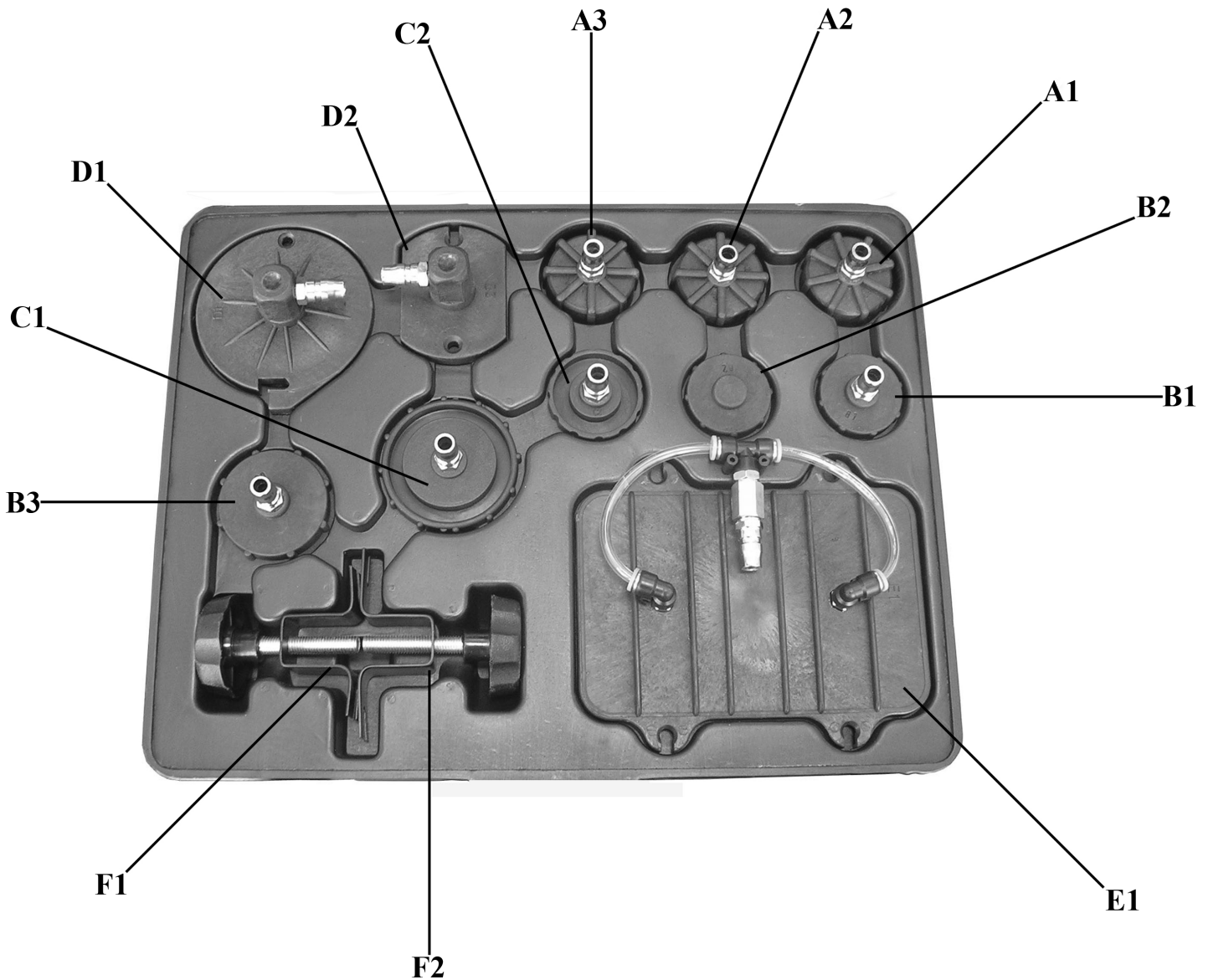
Item	Part No.	Description
1	VS0204.01	Handle Bar
2	VS0204.02	Tank Cap
3	VS0204.03	O-Ring Seal
4	VS0204.V2-04	Tank, Upper
5	CBN1020.S	Coach Bolt M10 x 20mm
6	VS0204.06	Rubber Insert
7	VS0204.07	Tank, Lower
8	VS0204.08	Connector 1/8"F x 1/4"M
9	VS0204.09	Connector 1/8"
10	VS0204.10	Tube Lock
11	VS0204.11	Tube
12	VS0204.12	Elbow Connector
13	FN10.S	Flange Nut M10, Serrated
14	VS0204.14	Air Inlet Connector

Item	Part No.	Description
15	VS0204.15	Ball Valve 1/4" F-F
16	VS0204.16	Pressure Regulator
17	VS0204.17	Connector 1/4"
18	VS0204.18	Air Release Safety Valve
19	VS0204.19	4-Way Connector
20	VS0204.20	Oil Delivery Tube
21	VS0204.21	Quick Coupling
22	VS0204.22	3-Way Connector
23	VS0204.V3-23	Gauge
--	VS0204.24	Rubber Squeeze (Not Shown)
--	VS0204.25	Fluid Bottle Assembly (Not Shown)
--	VS0204.26	Blow Mould Case (Not Shown)
--	VS0204.27	Funnel (Not Shown)

NOTE: It is our policy to continually improve products and as such we reserve the right to alter data, specifications and component parts without prior notice. There may be alternative versions of this product, please contact us should you require this information.

IMPORTANT: No liability is accepted for incorrect use of product. Spare parts must be fitted by a competent person

WARRANTY: Guarantee is 12 months from purchase date, proof of which will be required for any claim.



Item	Part No.	Description
A1	VS0204.A1	Adaptor Cap A1
A2	VS0204.A2	Adaptor Cap A2
A3	VS0204.A3	Adaptor Cap A3
B1	VS0204.B1	Adaptor Cap B1
B2	VS0204.V3-B2	Adaptor Cap B2
B3	VS0204.B3	Adaptor Cap B3
C1	VS0204.C1	Adaptor Cap C1

Item	Part No.	Description
C2	VS0204.C2	Adaptor Cap C2
D1	VS0204.D1	Adaptor Cap D1
D2	VS0204.D2	Adaptor Cap D2
E1	VS0204.E1	Adaptor Cap E1
F1	VS0204.F1	Clamp Assembly F1
F2	VS0204.F2	Clamp Assembly F2
--	VS0204.D1-R	Pneumatic Coupling (Not Shown)

NOTE: It is our policy to continually improve products and as such we reserve the right to alter data, specifications and component parts without prior notice. There may be alternative versions of this product, please contact us should you require this information.

IMPORTANT: No liability is accepted for incorrect use of product. Spare parts must be fitted by a competent person

WARRANTY: Guarantee is 12 months from purchase date, proof of which will be required for any claim.