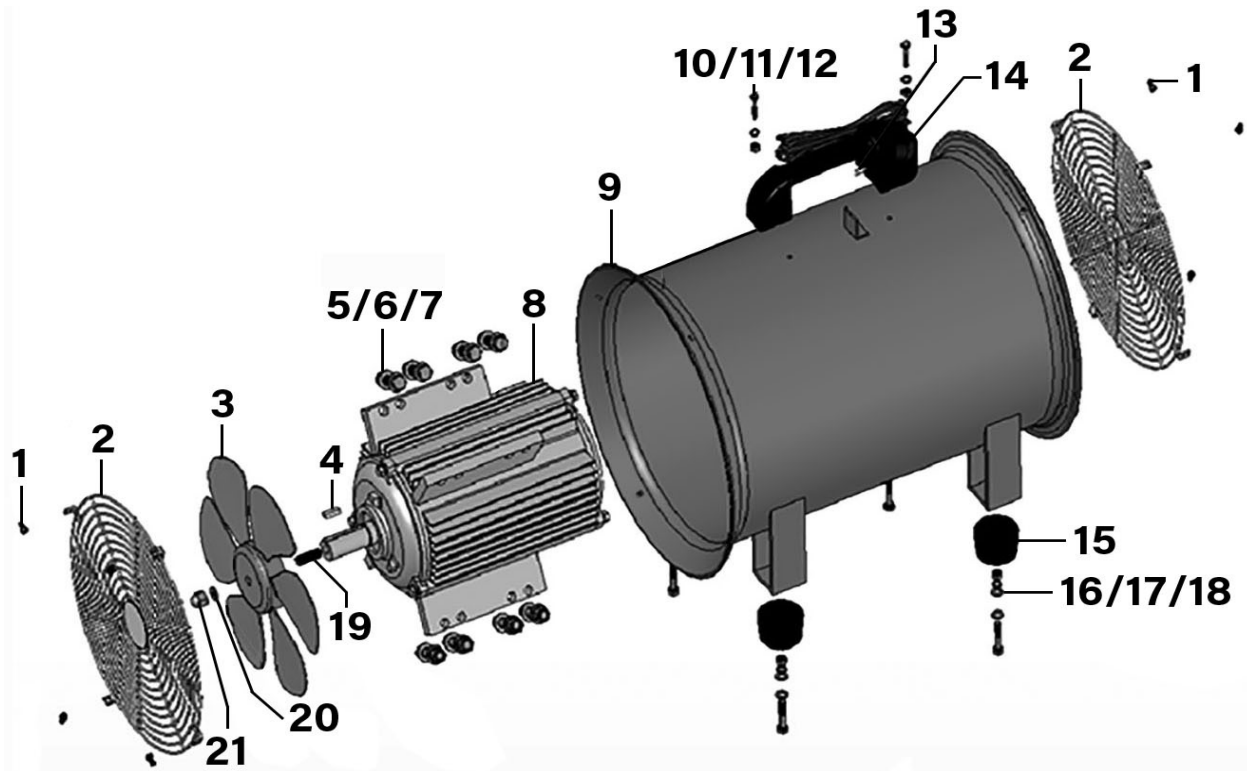


## Parts Information: Portable Ventilators with 5m Ducting Model No: VEN200.V4 / VEN250.V2 / VEN300.V3



Item	Part No.	Description
1	MSP514.S	Machine Screw Pan Head Phillips M5 X 14mm
2	VEN200-V4-02	Front Guard ( <b>VEN200.V4 ONLY</b> )
2	VEN250.V2-02	Front Guard ( <b>VEN250.V2 ONLY</b> )
2	VEN300.V3-02	Front Guard ( <b>VEN300.V3 ONLY</b> )
3	VEN200-V4-03	Fan Blade ( <b>VEN200.V4 ONLY</b> )
3	VEN250.V2-03	Fan Blade ( <b>VEN250.V2 ONLY</b> )
3	VEN300.V3-03	Fan Blade ( <b>VEN300.V3 ONLY</b> )
4	VEN300.V3-04	Woodruff Key
5	SS612.S	Hex Head Set Screw M6 X 12 Zinc
6	FWM6.S	Flat Washer M6 Zinc
7	SN6.S	Steel Nut M6 Zinc
8	VEN200-V4-08	Motor ( <b>VEN200.V4 ONLY</b> )
8	VEN250.V2-08	Motor ( <b>VEN250.V2 ONLY</b> )
8	VEN300.V3-08	Motor ( <b>VEN300.V3 ONLY</b> )
9	VEN200-V4-09	Drum Body ( <b>VEN200.V4 ONLY</b> )

Item	Part No.	Description
9	VEN250.V2-09	Drum Body ( <b>VEN250.V2 ONLY</b> )
9	VEN300.V3-09	Drum Body ( <b>VEN300.V3 ONLY</b> )
10	MSP625.S	Machine Screw Pan Head Phillips M6 X 25mm
11	FWM6.S	Flat Washer M6 Zinc
12	SN6.S	Steel Nut M6 Zinc
13	VEN300.V3-13	Toggle Switch
14	VEN300.V3-14	Handle
15	VEN300.V3-15	Rubber Foot
16	MSP825.S	Machine Screw Pan Head Phillips M8 X 25mm
17	FWM8.S	Flat Washer M8 Zinc
18	SN8.S	Steel Nut M8 Zinc
19	VEN300.V3-19	Motor/Fan Screw M12
20	FWM12.S	Flat Washer M12 Zinc
21	SN12.SD	Steel Nut M12 Domed Zinc

**NOTE:** It is our policy to continually improve products and as such we reserve the right to alter data, specifications and component parts without prior notice. There may be alternative versions of this product, please contact us should you require this information.

**IMPORTANT:** No liability is accepted for incorrect use of product. Spare parts must be fitted by a competent person

**WARRANTY:** Guarantee is 12 months from purchase date, proof of which will be required for any claim.