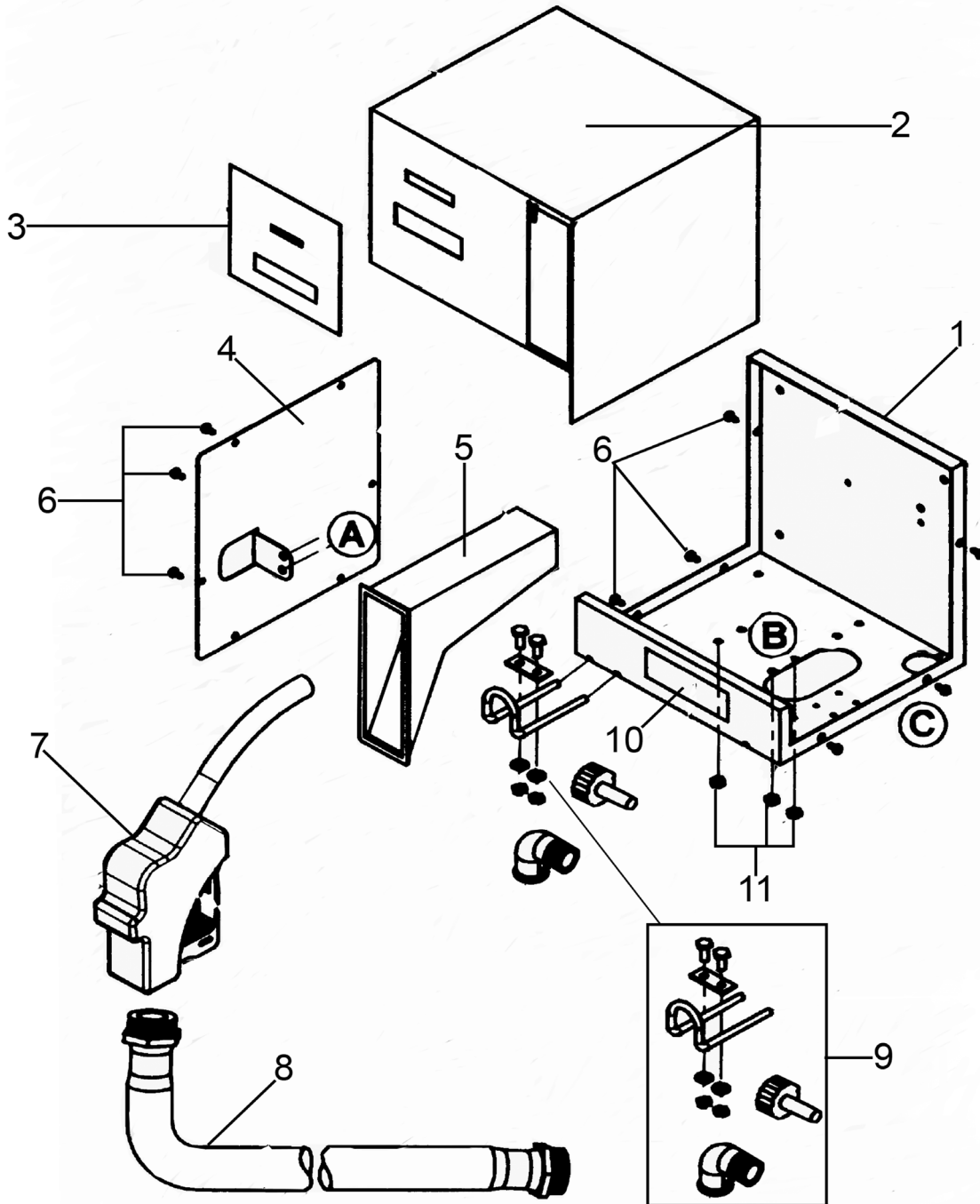


Parts Information:  
**Diesel/Fluid Transfer System 50ltr/min**  
**Wall Mounting with Meter 230V**  
**Model No: TP955**



Item	Part No.	Description
1	500/8704	Cube Case, Lower
2	500/8733	Cube Case, Upper
3	500/8732	Plate, Cube
4	500/8788	Cube Case, Left
5	500/8735	Nozzle Seat
6	500/9534	Screw M5 x 10mm

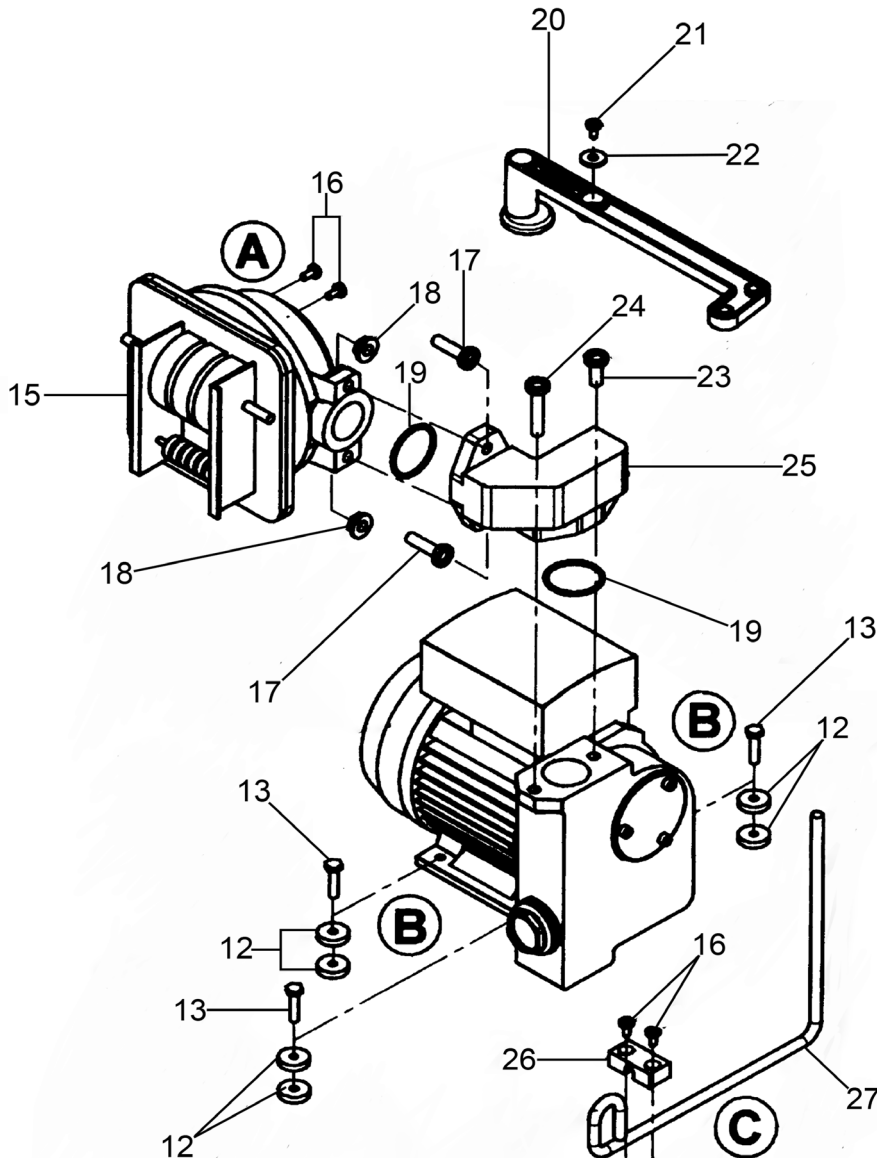
Item	Part No.	Description
7	TP109	Delivery Nozzle
8	500/8976	Fuel Hose
9	500/9189	Fixing Kit
10	500/8937	Adhesive Plate, On/Off
11	SN6.S	Steel Nut M6
--	500/7757	Hose-Tail 1"x 20 (Not Shown)

**NOTE:** It is our policy to continually improve products and as such we reserve the right to alter data, specifications and component parts without prior notice. There may be alternative versions of this product, please contact us should you require this information.

**IMPORTANT:** No liability is accepted for incorrect use of product. Spare parts must be fitted by a competent person

**WARRANTY:** Guarantee is 12 months from purchase date, proof of which will be required for any claim.

Parts Information:  
**Diesel/Fluid Transfer System 50ltr/min**  
**Wall Mounting with Meter 230V**  
**Model No: TP955**



Item	Part No.	Description
12	500/8744	Vibration Damper
13	500/8881	Screw M6 x 25mm
14	500/34601	Motor/Pump Assembly
15	500/9633	Unit M <sup>3</sup> -Gallons
16	500/8418	Screw, Galvanized M5 x 10mm
17	500/8043	Allen Head Screw, Galvanized M8 x 30mm
18	500/9700	Nut, Galvanized M8
19	AK4560D.213	O-Ring
20	500/8738	Compensator Assembly
21	500/8304	Screw, Uni 6954 Ph/Ab 8.8 4.2 x 9.5mm
22	500/8102	Washer, Galvanized Uni 6953 4.3 x 16mm

Item	Part No.	Description
23	500/8812	Allen Head Screw, Galvanized M8 x 20mm
24	500/8813	Allen Head Screw, Galvanized M8 x 40mm
25	500/8701	Manifold
26	500/8823	Compensator, Control Rod
27	500/8863	Rod, U-Bolt
--	500/PF609	Valve Kit (Not Shown)
--	500/8113	Bypass Filter (Not Shown)
--	500/8524	Motor (Not Shown)
--	500/8195	Electric Box Assembly (Not Shown)
--	500/OAB3159	Hose, Pick-Up and Delivery (Not shown)

**NOTE:** It is our policy to continually improve products and as such we reserve the right to alter data, specifications and component parts without prior notice. There may be alternative versions of this product, please contact us should you require this information.

**IMPORTANT:** No liability is accepted for incorrect use of product. Spare parts must be fitted by a competent person

**WARRANTY:** Guarantee is 12 months from purchase date, proof of which will be required for any claim.