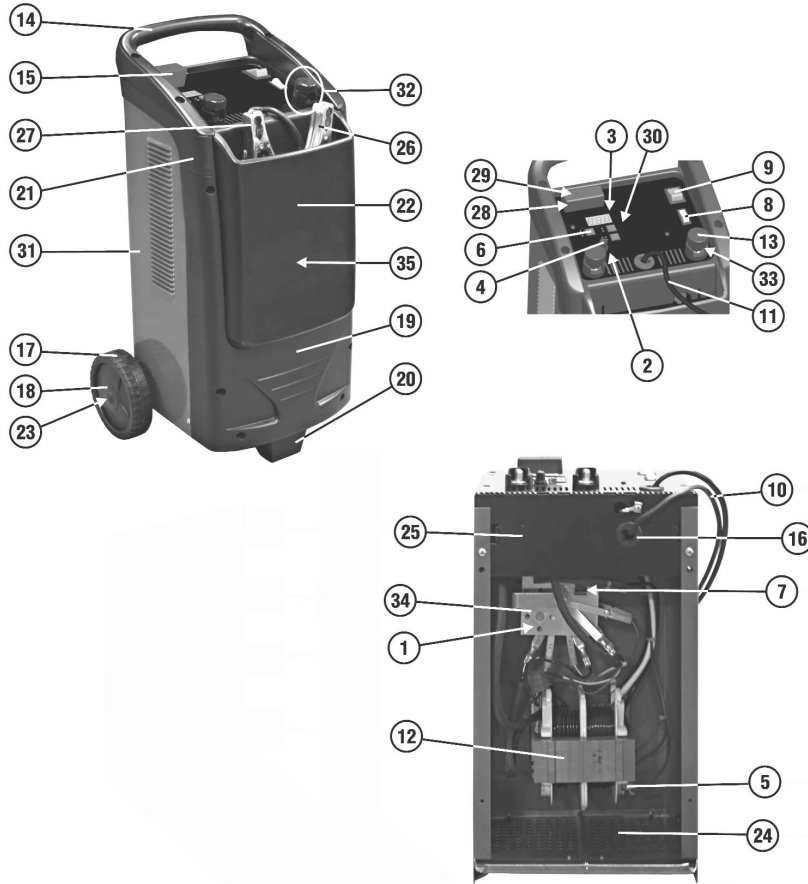




Parts Information:
Electronic Starter/Charger 300Amp
12V/24V 230V
Model No: TECSTART420.V2



Item	Part No.	Description
1	120/112185	PROTECTION, RECTIFIER
2	120.116510	POTENTIOMETER
3	120.116517	TRIAC 16A 700V
4	120.121064	KNOB FOR POTENTIOMETER
5	120.121069	THERMOSTAT 15A 250V
6	120.121271	PUSHBUTTON
7	120/122308	THERMOSTAT (BLACK)
8	120/122400	SWITCH, WHITE ROCKER
9	120/122381	SWITCH, GREEN ROCKER
10	120.980363	CABLE 10MMQ 2,0M AND WORK CLAMP
11	MC3CX1.5	MAINS CABLE BLK, 3 CORE, 1.5MM2
12	120.169540	TRANSFORMER
13	120/312053	KNOB, TERMINAL
14	120.312408	HANDLE
15	START560.03	FUSE COVER
16	120.322112	BUSHING
17	120/322193	WHEEL
18	120/322223	CAP, AXLE

Item	Part No.	Description
19	120.322801	FRONT PANEL
20	120.322803	FOOT
21	120.322804	FRAME
22	120.362006	CLAMP HOLDER
23	120/422961	AXLE 345mm X 8mm
24	120/644177	BOTTOM
25	120.980349	DASHBOARD
26	120/712001	CLAMP, EARTH (BLACK)
27	120/712002	CLAMP, POSITIVE (RED)
28	START180.F20	FUSE 50Amp Pack of 20
29	120.980036	FUSE HOLDER (SINGLE POST)
30	120.980133	BOARD KIT
31	120.980299	BACK PANEL
32	120/990162	TERMINAL COMPLETE
33	120/990163	INSULATING WASHERS
34	120.990685	RECTIFIER KIT
35	120.980362	CABLE 10MMQ 2M AND POSITIVE CLAMP

NOTE: It is our policy to continually improve products and as such we reserve the right to alter data, specifications and component parts without prior notice.

IMPORTANT: No liability is accepted for incorrect use of product.

WARRANTY: Guarantee is 12 months from purchase date, proof of which will be required for any claim.

Sealey Group, Kempson Way, Suffolk Business Park, Bury St Edmunds, Suffolk. IP32 7AR



01284 757500



01284 703534



sales@sealey.co.uk

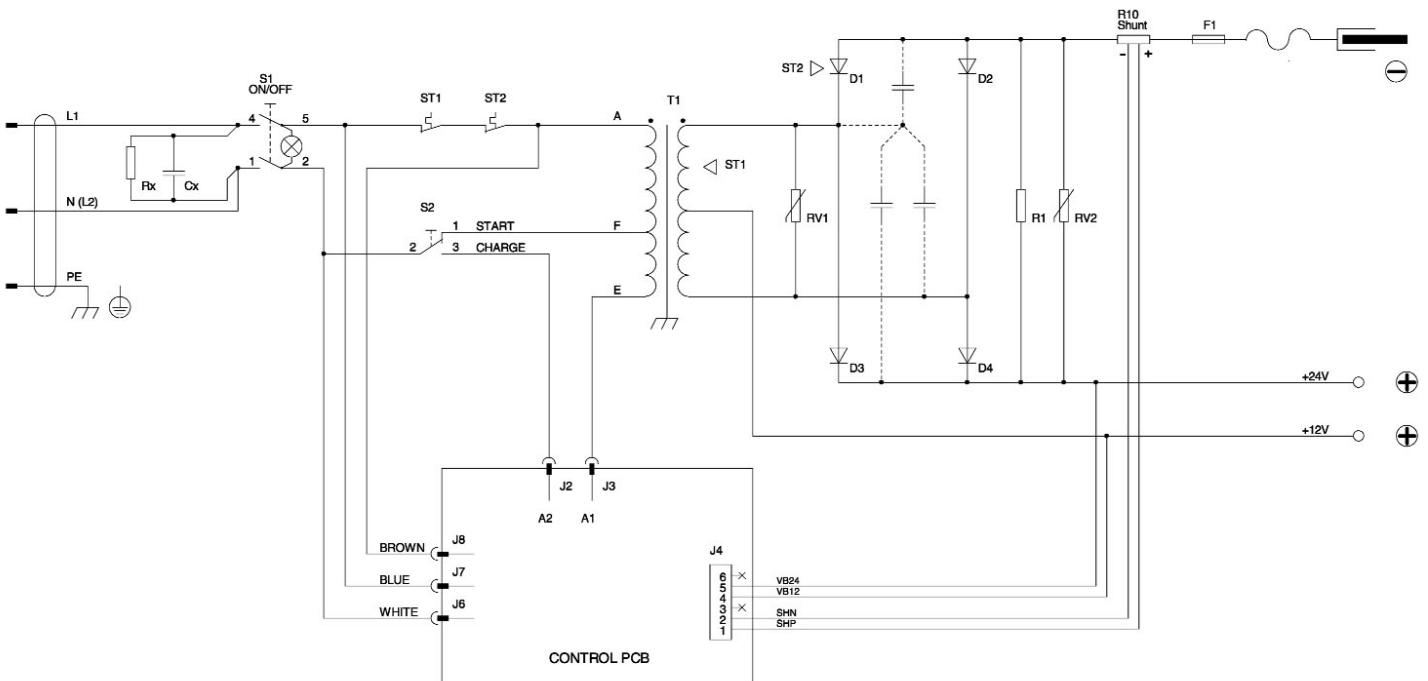


www.sealey.co.uk



Parts Information:
Electronic Starter/Charger 300Amp
12V/24V 230V
Model No: TECSTART420.V2

WIRING DIAGRAM



NOTE: It is our policy to continually improve products and as such we reserve the right to alter data, specifications and component parts without prior notice.

IMPORTANT: No liability is accepted for incorrect use of product.

WARRANTY: Guarantee is 12 months from purchase date, proof of which will be required for any claim.

Sealey Group, Kempson Way, Suffolk Business Park, Bury St Edmunds, Suffolk. IP32 7AR



01284 757500



01284 703534



sales@sealey.co.uk



www.sealey.co.uk