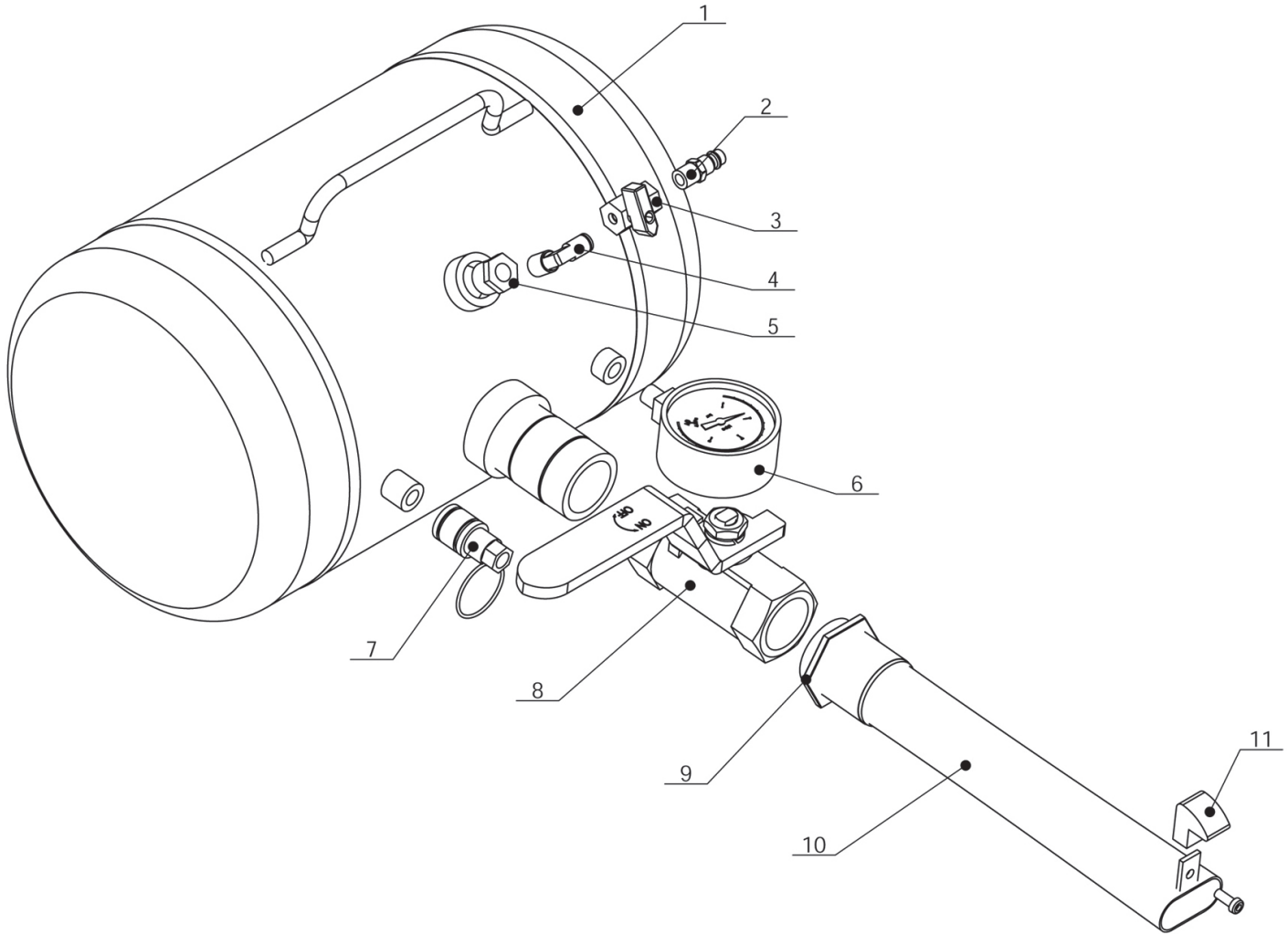




Parts Information:  
**Bead Seating Tool**  
**Model No: TC900.V2**



Item	Part No.	Description
1	TC900.V2-01	AIR TANK
2	TC900.V2-02	PLUG
3	TC900.V2-03	BALL VALVE
4	TC900.V2-04	BUSHING 90deg
5	TC900.V2-05	BUSHING 3/4"-1/4"
6	TC900.V2-06	PRESSURE GAUGE

Item	Part No.	Description
7	TC900.V2-07	SAFETY RELEASE VALVE
8	TC900.V2-08	DISCHARGE VALVE WITH HANDLE
9	TC900.V2-09	LOCK NUT
10	TC900.V2-10	THREADED BARREL
11	TC900.V2-11	PLASTIC PROTECTION

**NOTE:** It is our policy to continually improve products and as such we reserve the right to alter data, specifications and component parts without prior notice.

**IMPORTANT:** No liability is accepted for incorrect use of product.

**WARRANTY:** Guarantee is 12 months from purchase date, proof of which will be required for any claim.

Sealey Group, Kempson Way, Suffolk Business Park, Bury St Edmunds, Suffolk. IP32 7AR



01284 757500



01284 703534



sales@sealey.co.uk



www.sealey.co.uk