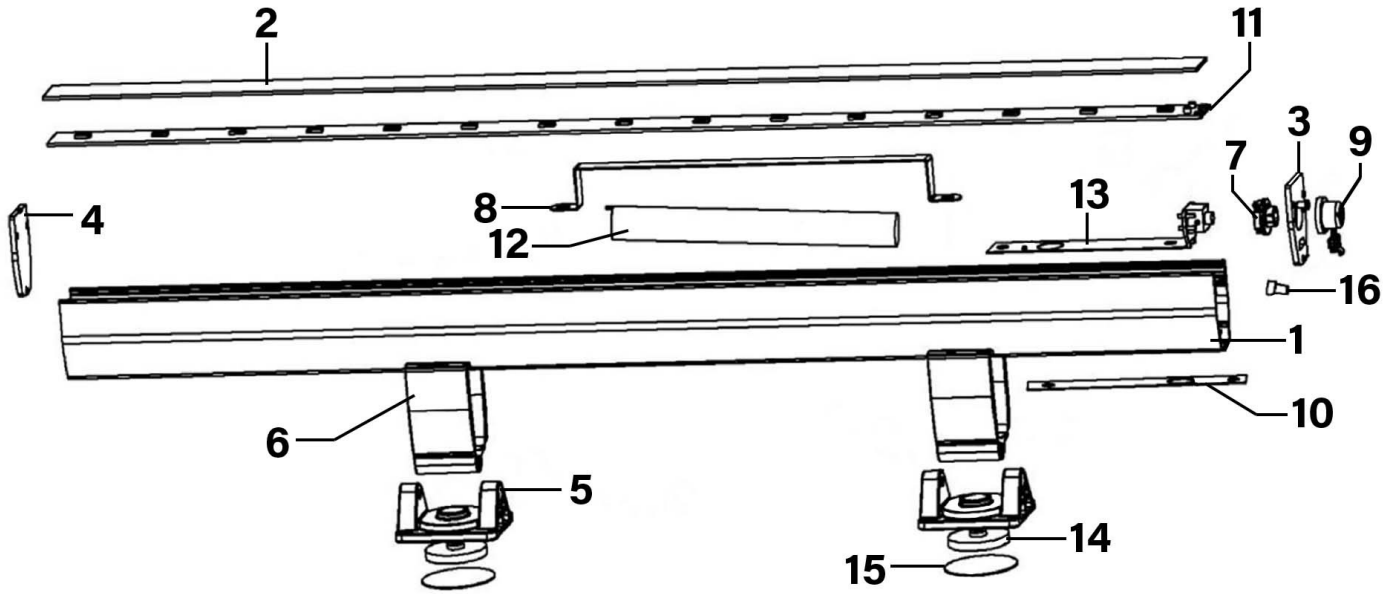




Parts Information:
**Toolbox Light Rechargeable 15 SMD LED
 Lithium-ion
 Model No: TBL450**



Item	Part No.	Description
1	TBL450.01	Aluminium Main Body
2	TBL450.02	Clear Lens
3	TBL450.03	Metal Cover, Right Side
4	TBL450.04	Metal Cover, Left Side
5	TBL450.05	Base (For Magnet)
6	TBL450.06	Plastic Clip
7	TBL450.07	Switch Cap Plate
8	TBL450.08	Battery Mounting Bracket
9	TBL450.09	Switch Cap

Item	Part No.	Description
10	TBL450.10	Insulation Strip
11	TBL450.11	15smd PCB
12	TBL450.12	Battery, 3.7v, 2.2ah/8.14wh (Li-Ion)(H:132 W:15)
13	TBL450.13	PCB, Control Board, 85 x 14mm, 1 Connection
14	TBL450.14	Magnet
15	TBL450.15	Rubber Cover (For Magnet)
16	TBL450.16	Charging Indicator Cap
--	LED139-C	USB Cable (USB - Micro USB) 1900mm (Not Shown)

NOTE: It is our policy to continually improve products and as such we reserve the right to alter data, specifications and component parts without prior notice. There may be alternative versions of this product, please contact us should you require this information.

IMPORTANT: No liability is accepted for incorrect use of product. Spare parts must be fitted by a competent person

WARRANTY: Guarantee is 12 months from purchase date, proof of which will be required for any claim.

