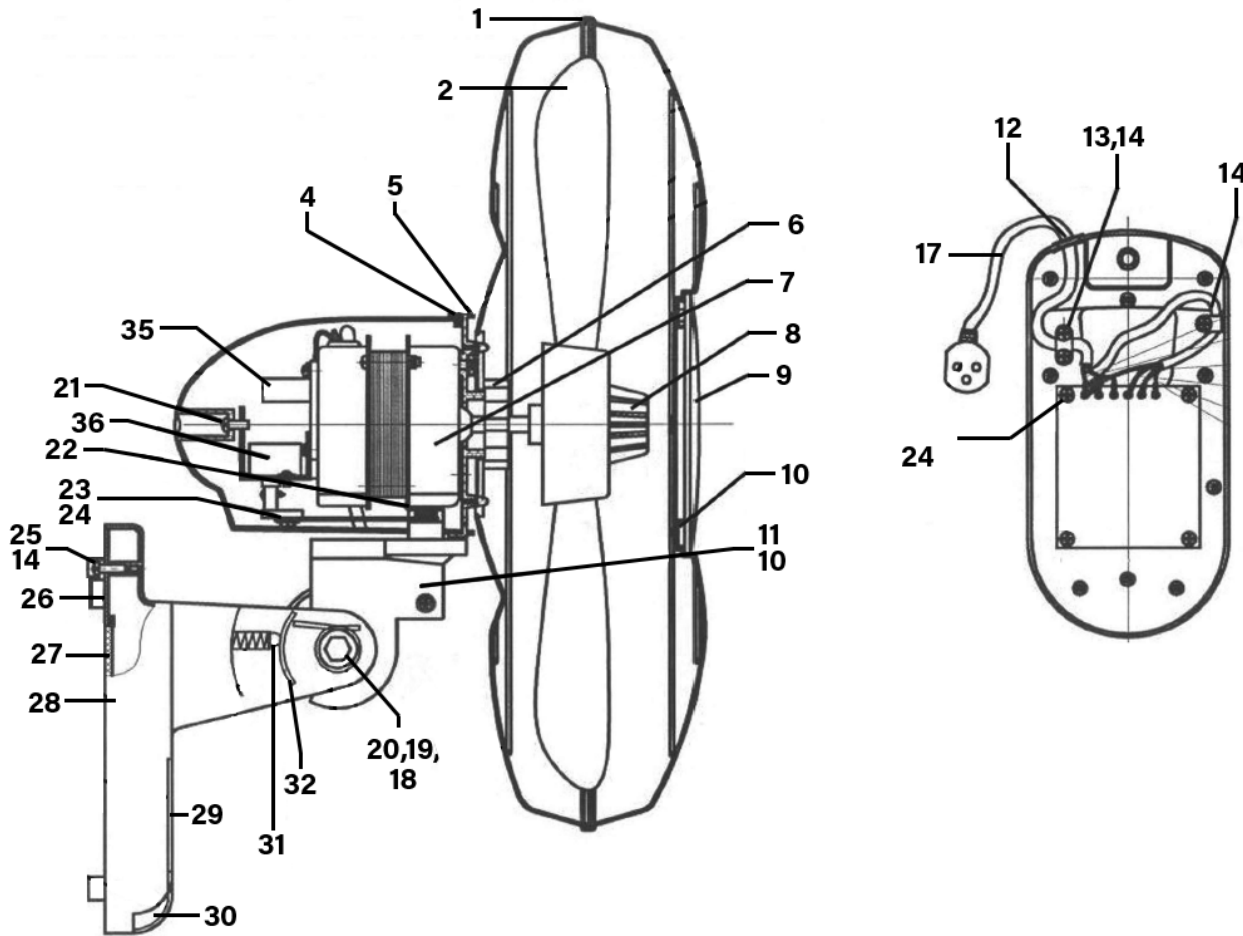




Parts Information:  
**Wall Fan 3-Speed 16" with Remote Control**  
**230V**  
**Model No: SWF16WR.V3**



Item	Part No.	Description
1	SWF16WR.V2-01	Plastic Guard Ring
2	SWF16WR.V2-02	Blade 16"
3	SWF16WR.V2-03	Complete Guard
4	SWF16WR.V2-04	Plate
5	SWF16WR.V2-05	Cover
6	SWF16WR.V2-06	Front Guard Nut (Plastic)
7	SWF16WR.V3-07	Motor (Internal 220-240v 50hz 50w)
8	SWF16WR.V2-08	Plastic Blade Nut
9	SWF16WR.V2-09	Logo Front Case
10	SWF16WR.V2-10	Rd Head S/T Screw M4 X 8 Flat End
11	SWF16WR.V2-11	Connector
12	SWF16WR.V2-12	Cord Protector
13	SWF16WR.V2-13	Cord Grip
14	CRM15.V5-17	Rd Head S/T Screw M3.8 X 12
17	SWF16WR.V2-17	Power Cord
18	SWF16WR.V2-18	Nut
19	SWF16WR.V2-19	Screw
20	SWF16WR.V2-20	Cover

Item	Part No.	Description
21	MSP48.S	Machine Screw Pan Head Phillips M4 X 8 mm
22	SWF16WR.V2-22	Washer
23	SWF16WR.V2-23	Arm
24	SWF16WR.V2-24	Rd Head S/T Screw M3.8 X 10
25	SWF16WR.V2-25	Rubber Foot
26	SWF16WR.V2-26	Cover
27	SWF16WR.V2-27	Plastic Cover
28	SWF16WR.V2-28	Base
29	SWF16WR.V2-29	Decoration Panel
30	SWF16WR.V2-30	Light Panel
31	SWF16WR.V2-31	Handle & Spring Ass'y
32	SWF16WR.V2-32	Adjusting Plate
35	SWF16WR.V2-35	Capacitor
36	SWF16WR.V2-36	Motor, Synchro Swing (Internal 220-240v 50/60hz 4w)
--	SWF16WR.V2-37	Security Screw (Not Shown)
--	SWF16WR.V2-38	Wall Bracket (Not Shown)
--	SWF16WR.V2-RC	Remote Control (Not Shown)

**NOTE:** It is our policy to continually improve products and as such we reserve the right to alter data, specifications and component parts without prior notice. There may be alternative versions of this product, please contact us should you require this information.

**IMPORTANT:** No liability is accepted for incorrect use of product. Spare parts must be fitted by a competent person

**WARRANTY:** Guarantee is 12 months from purchase date, proof of which will be required for any claim.

Sealey Group, Kempson Way, Suffolk Business Park, Bury St Edmunds, Suffolk. IP32 7AR



01284 757500



01284 703534



sales@sealey.co.uk



www.sealey.co.uk