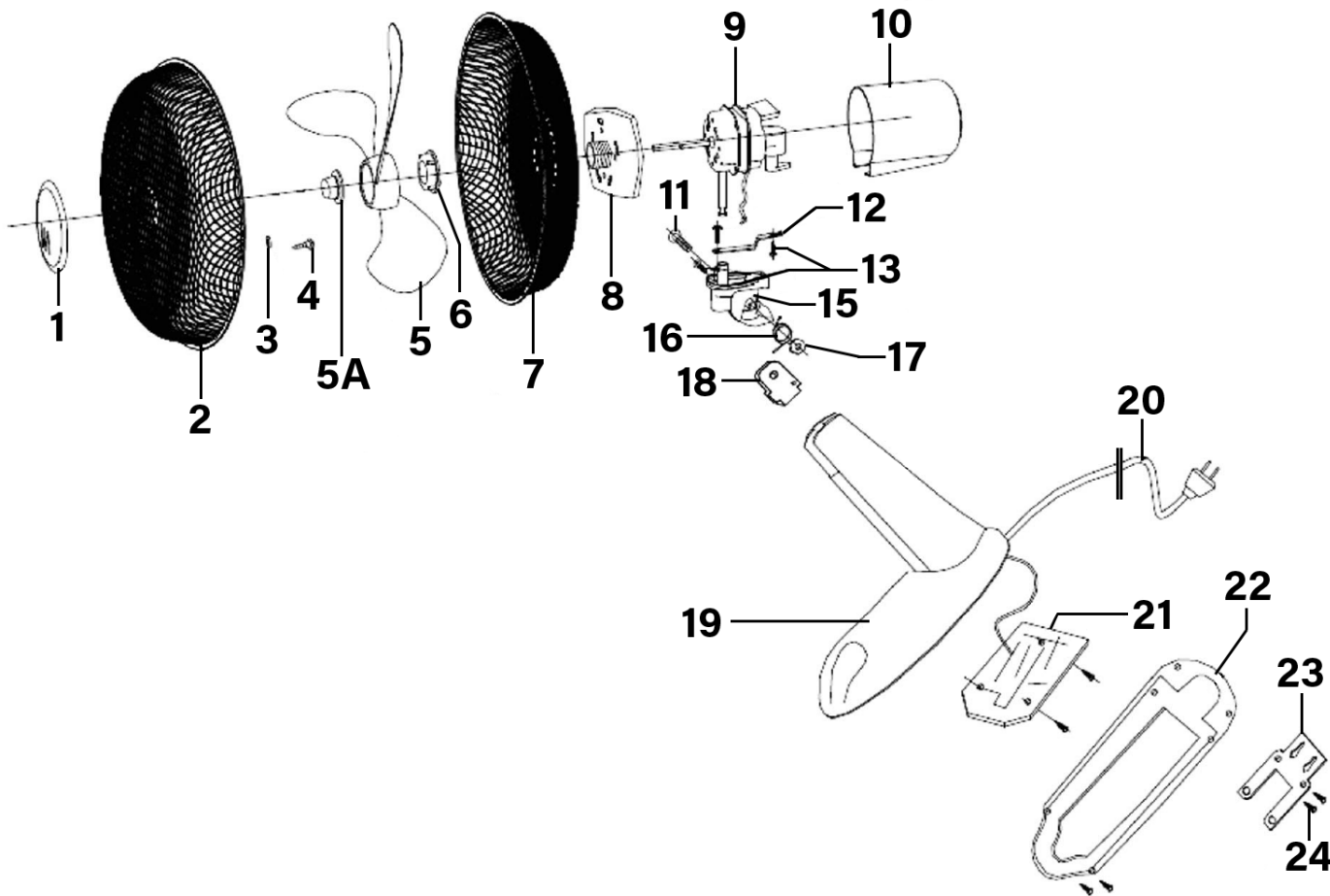




Parts Information:
Wall Fan 3-Speed 16" with Remote Control
230V
Model No: SWF16WR



Item	Part No.	Description
1	SWF16WR.01	Front Guard Disc Cover
2	SWF16WR.02	Front Guard
3	FWM4.S	Flat Washer M4
4	SWF16WR.04	Round Screw
5	SWF16WR.05	Fan Blade
5A	SPF16WR.03	Fan Blade Nut
6	SWF16WR.06	Guard Nut
7	SWF16WR.07	Rear Guard
8	SWF16WR.08	Motor Cover
9	SWF16WR.09	Motor (Internal 220-240v 50/60hz 4w)
10	SWF16WR.10	Motor Cover (Rear)
11	SWF16WR.11	Cross Head Screw
12	SWF16WR.12	Pad

Item	Part No.	Description
13	SWF16WR.V2-24	Rd Head S/T Screw M3.8 X 10
15	SWF16WR.15	Arm
16	SWF16WR.16	Spring
17	SWF16WR.17	Screw
18	SWF16WR.18	Clip
19	SWF16WR.19	Pole(Fan Base)
20	SWF16WR.20	Power Cord
21	SWF16WR.21	PCB, Circuit Board) 112 x 80mm, c/w LED x 11
22	SWF16WR.22	Bottom Cover
23	SWF16WR.23	Wall Bracket
24	SWF16WR.24	Rd Head S/T Screw M4 X 8
--	SWF16WR.25	Remote Control (Not Shown)

NOTE: It is our policy to continually improve products and as such we reserve the right to alter data, specifications and component parts without prior notice. There may be alternative versions of this product, please contact us should you require this information.

IMPORTANT: No liability is accepted for incorrect use of product. Spare parts must be fitted by a competent person

WARRANTY: Guarantee is 12 months from purchase date, proof of which will be required for any claim.

Sealey Group, Kempson Way, Suffolk Business Park, Bury St Edmunds, Suffolk. IP32 7AR



01284 757500



01284 703534



sales@sealey.co.uk



www.sealey.co.uk