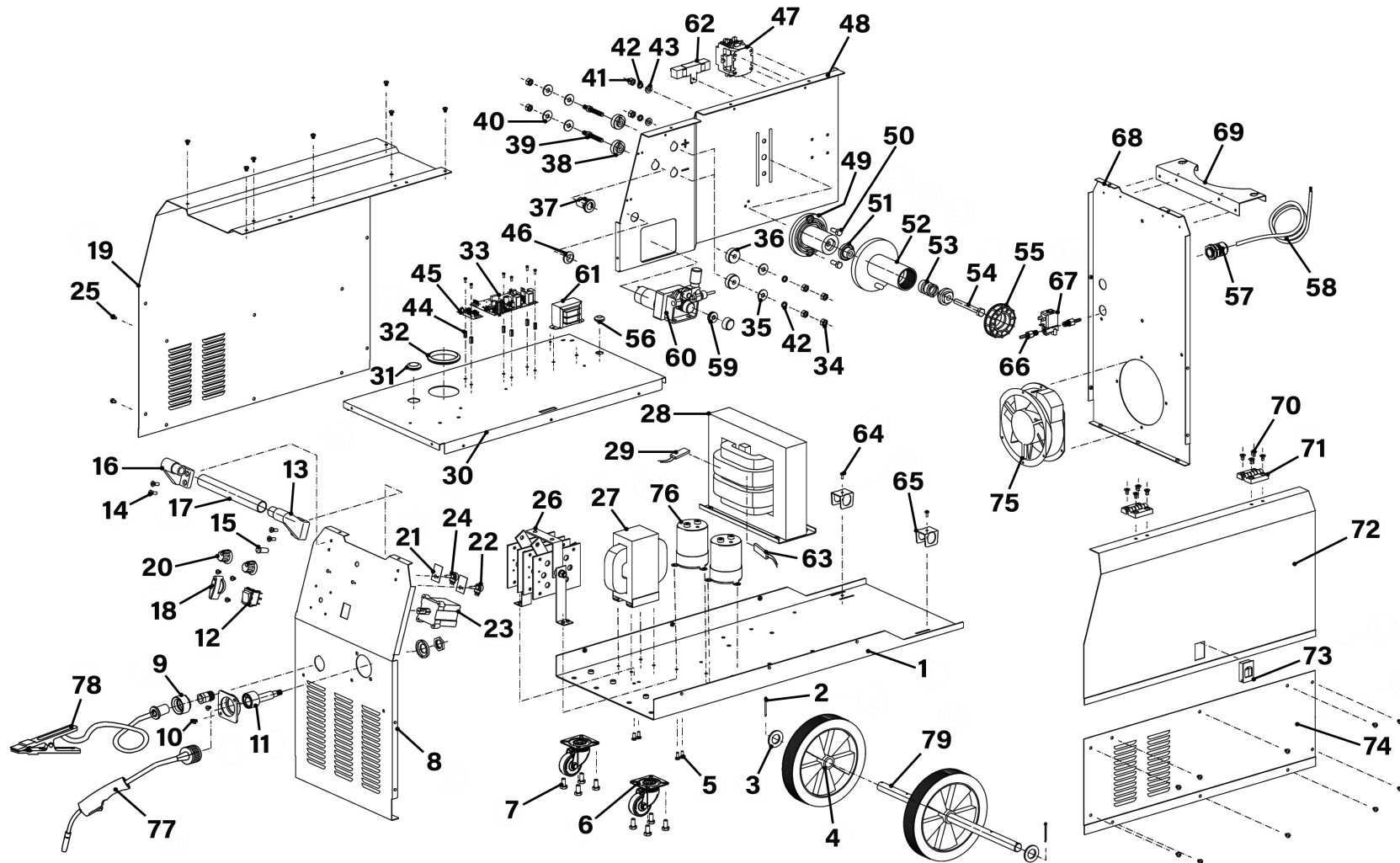




Parts Information:  
Professional MIG Welder 270Amp 230V with Binzel® Euro Torch Gas/  
Gasless  
Model No: SUPERMIG275.V3



**NOTE:** It is our policy to continually improve products and as such we reserve the right to alter data, specifications and component parts without prior notice.

There may be alternative versions of this product, please contact us should you require this information.

**IMPORTANT:** No liability is accepted for incorrect use of product. Spare parts must be fitted by a competent person

**WARRANTY:** Guarantee is 12 months from purchase date, proof of which will be required for any claim.

Sealey Group, Kempson Way, Suffolk Business Park, Bury St Edmunds, Suffolk. IP32 7AR



01284 757500



sales@sealey.co.uk



www.sealey.co.uk



Parts Information:  
**Professional MIG Welder 270Amp 230V  
 with Binzel® Euro Torch Gas/Gasless  
 Model No: SUPERMIG275.V3**

Item	Part No.	Description
1	SMIG275-V3-01	Bottom Panel
2	M/MIG250.02	Cotter Pin 3 x 40
3	FWM20.S	Flat Washer M20
4	M/MIG250.04	Wheel, Fixed (D:200 W:50 B:19)
5	M/MIG250.08	Bolt (M5x12)
6	M/MIG250.06	Wheel, Swivel Castor, 4 Bolt (D:75 W:30 B:10 H:115)
7	M/MIG250.05	Bolt (M8x16)
8	SMIG275-V3-08	Front Panel
9	M/MIG250.09	Dinse Socket
10	MSP516.S	Machine Screw Pan Head Phillips M5 x 16mm
11	SMIG230-V3-54	Torch Holder Assembly
12	M/MIG250.12	Switch, On/Off illuminated Rocker (16A/250V)
13	SMIG230-V3-53	Handle Support (Right)
14	MSP620.SB	Machine Screw Pan Head Phillips M6 x 20mm Black
15	SMIG230-V3-56	Overload Indicator Light
16	SMIG230-V3-66	Handle Support (Left)
17	SMIG275-V3-17	Handle
18	SMIG275-V3-18	Voltage Control Knob
19	SMIG275-V3-19	Panel, Left Side
20	SMIG150-V5-39	Potentiometer Knob
21	SMIG150-V5-42	Potentiometer Insulating Plate
22	SMIG275-V3-22	Potentiometer Wire Feed Adjustment
23	M/MIG250.23	Switch, Rotary Voltage Control. c/w Knob (EN60947-3)
24	SMIG275-V3-24	Potentiometer Spot Time Adjustment
25	SMIG275-V3-25	Casing Screw M5x10
26	SMIG275-V3-26	Rectifier
27	SMIG275-V3-27	Reactor
28	SMIG275-V3-28	Main Transformer
29	SMIG275-V3-29	Thermal Control
30	SMIG275-V3-30	Middle Panel
31	SMIG275-V3-31	Rubber Ring M25
32	SMIG275-V3-32	Rubber Ring M65
33	SMIG275-V3-33	Circuit Board
34	M/MIG190.27	Hex Full Nut M8 Brass
35	RW825.S	Repair Washer M8 X 25 Zinc
36	M/MIG250.36	Insulating Washer
37	M/MIG250.37	Cable Tip
38	M/MIG250.38	Insulating Washer
39	M/MIG190.33	Bolt M8x55

Item	Part No.	Description
40	RW825.S	Repair Washer M8 X 25 Zinc
41	SN8.S	Steel Nut M8 Zinc
42	SWM8.S	Spring Washer M8 Zinc
43	FWM8.S	Flat Washer M8 Zinc
44	SMIG150-V5-14	Plastic Isolation Column
45	SMIG230-V3-09	Filter PCB
46	SMIG275-V3-46	Rubber Ring M16
47	M/MIG250.47	Contactora
48	SMIG275-V3-48	Middle Partition Panel
49	M/MIG250.49	Axle
50	M/MIG250.50	Bolt (M8x25)
51	M/MIG250.53	Knob, Plastic, OD: 35mm, 10mm Female Fitting
52	M/MIG250.54	Spool Holder
53	M/MIG250.55	Spring Dia 30.1mm
54	HHB1080.S	Hex Head Bolt M10 x 80mm
55	M/MIG250.56	Retainer
56	SMIG275-V3-56	Rubber Ring M12
57	SMIG275-V3-57	Cable Tip
58	SMIG275-V3-58	Line Cable
59	SMIG275.52	Wire Feed Roller 0.6-0.8mm
60	M/MIG250.60	Wire Feed Motor (Internal 24v)
61	SMIG275-V3-61	Control Transformer
62	M/MIG250.62	Resistance
63	SMIG275-V3-63	Thermal Protection
64	MSP410.S	Machine Screw Pan Head Phillips M4 X 10mm
65	M/MIG210.47	Axle Bracket
66	M-MIG210V2.03	Valve Connector
67	M/MIG250.66	Valve Assembly
68	SMIG275-V3-68	Back Panel
69	SMIG275-V3-69	Gas Bottle Support
70	SMIG230-V3-11	Screw M6x10
71	SMIG230-V3-10	Hinge
72	SMIG275-V3-72	Door Panel
73	SMIG150-V5-05	Latch
74	SMIG275-V3-74	Lower Panel, Right Side
75	M/MIG250.75	Fan
76	SMIG275-V3-76	Capacitor
77	MIG/T25	MIG Torch 3m Euro Connector MB25
78	M/MIG250.78	Clamp with Cable
79	M/MIG250.49	Axle

**NOTE:** It is our policy to continually improve products and as such we reserve the right to alter data, specifications and component parts without prior notice. There may be alternative versions of this product, please contact us should you require this information.

**IMPORTANT:** No liability is accepted for incorrect use of product. Spare parts must be fitted by a competent person

**WARRANTY:** Guarantee is 12 months from purchase date, proof of which will be required for any claim.

Sealey Group, Kempson Way, Suffolk Business Park, Bury St Edmunds, Suffolk. IP32 7AR



01284 757500



sales@sealey.co.uk



www.sealey.co.uk