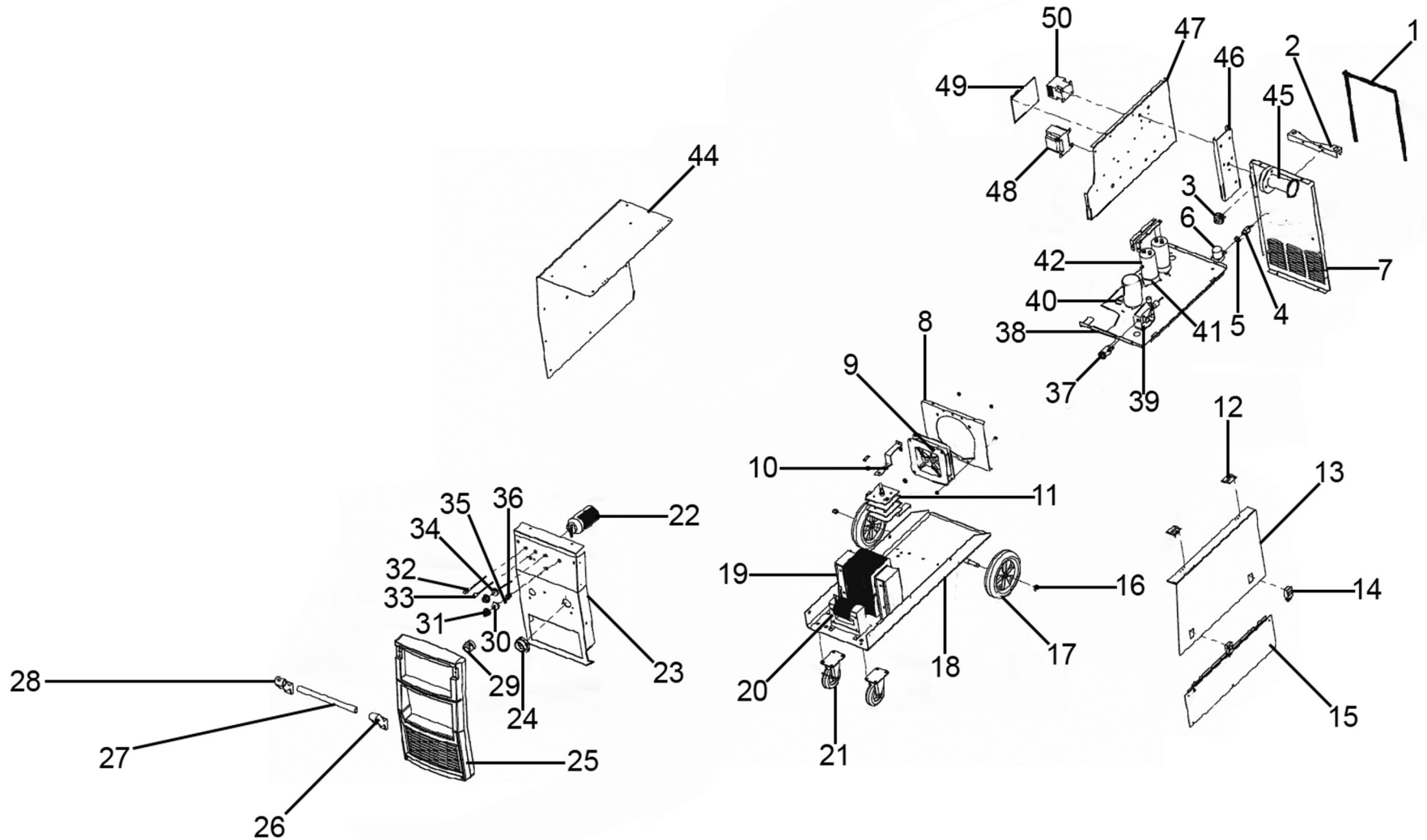




Parts Information:
Professional MIG Welder 250A 230V with Binzel® Euro Torch
Model No: SUPERMIG255.V2



NOTE: It is our policy to continually improve products and as such we reserve the right to alter data, specifications and component parts without prior notice.

There may be alternative versions of this product, please contact us should you require this information.

IMPORTANT: No liability is accepted for incorrect use of product. Spare parts must be fitted by a competent person

WARRANTY: Guarantee is 12 months from purchase date, proof of which will be required for any claim.

Sealey Group, Kempson Way, Suffolk Business Park, Bury St Edmunds, Suffolk. IP32 7AR



01284 757500



01284 703534



sales@sealey.co.uk



www.sealey.co.uk



Parts Information:
**Professional MIG Welder 250A 230V with
 Binzel® Euro Torch**
Model No: SUPERMIG255.V2

Item	Part No.	Description
1	SMIG275.01	Chain
2	SMIG275.02	Cylinder Support
3	SMIG275.03	Cable Gland
4	SMIG275.04	Gas Connector
5	SMIG275.05	Copper Nut
6	SMIG275.06	Electro-Valve
7	SMIG255-V2-07	Back Panel
8	SMIG255.08	Mounting Panel, Fan
9	SMIG255.09	Fan
10	SMIG255.10	Metal Support
11	SMIG255.11	Rectifier (single phase)
12	SMIG275.12	Plastic Hinge
13	SMIG255-V2-13	Side Panel, Upper Right
14	SMIG275.14	Door Lock
15	SMIG255-V2-15	Side Panel, Lower Right
16	SN10.SD	Steel Nut M10 Domed
17	SMIG275.17	Wheel, Fixed (D:205 W:40 B:12)
18	SMIG255.18	Bottom Panel
19	SMIG255.19	Transformer
20	SMIG255.20	Reactance
21	SMIG275.21	Wheel, Swivel Castor, 4 bolt (D:75 W:32 B:12 H:115)
22	SMIG255.22	Switch, Rotary c/w Knob (KDHCA-25A)
23	SMIG255-V2-23	Front Panel
24	SMIG275.24	Torch Holder
25	SMIG275.25	Frame, Front
26	SMIG275.26	Handle Support, Right
27	SMIG275.27	Handle
28	SMIG275.28	Handle Support, Left
29	SMIG275.29	Quick Socket 'EU Type'

Item	Part No.	Description
30	PMIG3530.30	Knob, Potentiometer, Plastic, Chrome Top, OD: 27mm, 6mm Female
31	SMIG180.V3-08	Potentiometer (c/w Switch)
32	SMIG275.32	Indicator Light, Green
33	SMIG275.33	Indicator Light, Yellow
34	SMIG180.V3-06	Potentiometer
35	SMIG275.35	Switch, On/Off Toggle 16A 250V
36	PMIG3530.24	Grip
37	SMIG275.37	Copper Head, Quick Socket
38	SMIG275.38	Middle Panel 'A'
39	PMIG3530.41	Drive Motor (Internal 24V)
40	SMIG275.40	Resistor
41	SMIG275.41	Clamp for Capacitor
42	SMIG255.42	Capacitor
44	SMIG255-V2-44	Side Panel, Left
45	SMIG275.45	Spool Holder
46	SMIG275.46	Support, Spool Holder
47	SMIG255.47	Middle Panel 'B'
48	SMIG275.48	Control Transformer
49	SMIG275.49	PCB, Main Control Board, 162 X 120mm
50	SMIG275.50	AC Contactor
--	M/MIG210.58	Mig Torch 3mtr Euro Connector Binzel TB15
--	REG/MT	MIG Gas Regulator 2 Gauge Industrial (Not Shown)
--	SMIG275.54	Threaded Sleeve 'Gas Hose Connection' (Not Shown)
--	SMIG275.55	Gas Valve Connector 'for Gas Hose' (Not Shown)
--	MIG/GH	Hose, Gas per Metre (5mm ID Black Nylon Hose) (Not Shown)

NOTE: It is our policy to continually improve products and as such we reserve the right to alter data, specifications and component parts without prior notice. There may be alternative versions of this product, please contact us should you require this information.

IMPORTANT: No liability is accepted for incorrect use of product. Spare parts must be fitted by a competent person

WARRANTY: Guarantee is 12 months from purchase date, proof of which will be required for any claim.

Sealey Group, Kempson Way, Suffolk Business Park, Bury St Edmunds, Suffolk. IP32 7AR



01284 757500



01284 703534



sales@sealey.co.uk



www.sealey.co.uk