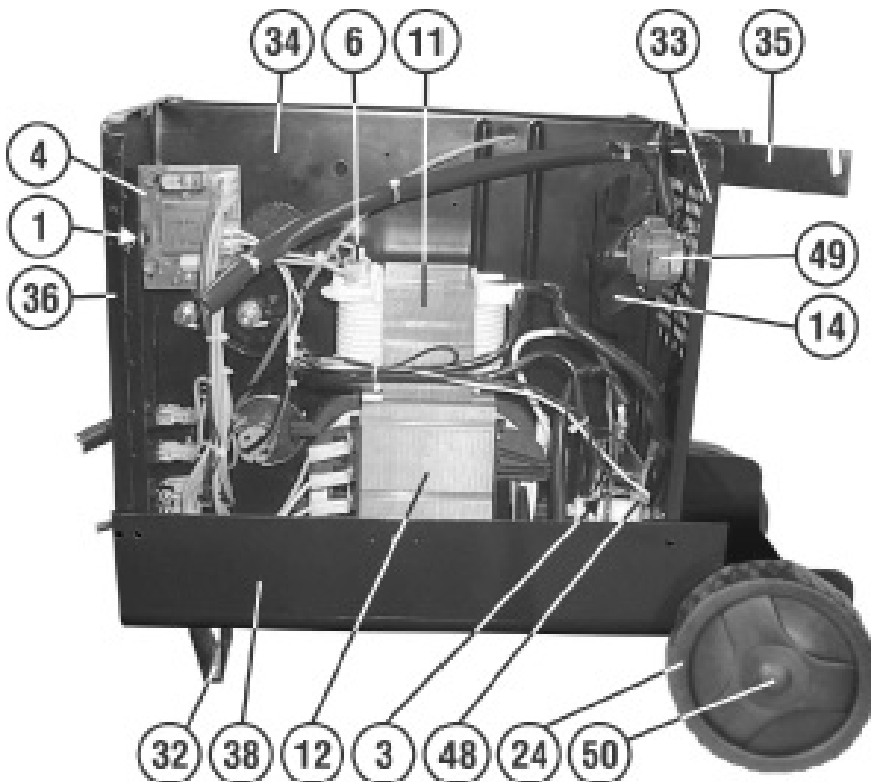
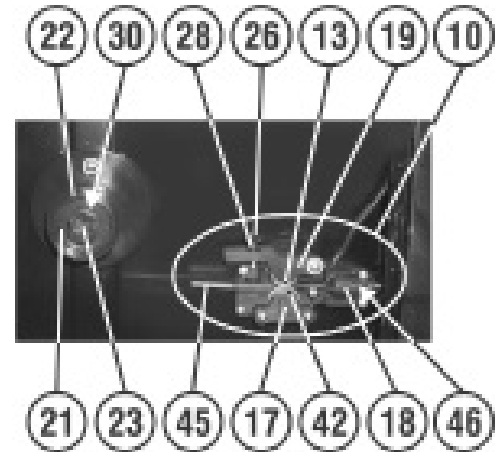
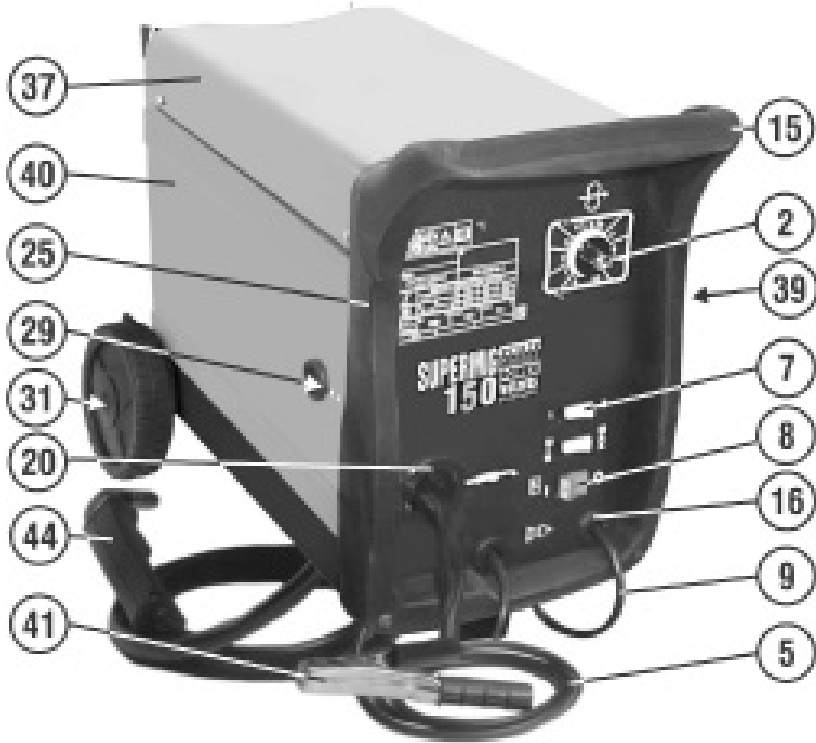




Parts Information:
Professional MIG Welder 150Amp 230V
Model No: SUPERMIG150.V2



NOTE: It is our policy to continually improve products and as such we reserve the right to alter data, specifications and component parts without prior notice.

IMPORTANT: No liability is accepted for incorrect use of product.

WARRANTY: Guarantee is 12 months from purchase date, proof of which will be required for any claim.

Sealey Group, Kempson Way, Suffolk Business Park, Bury St Edmunds, Suffolk. IP32 7AR



01284 757500



01284 703534



sales@sealey.co.uk



www.sealey.co.uk



Parts Information:
Professional MIG Welder 150Amp 230V
Model No: SUPERMIG150.V2

Item	Part No.	Description
1	120/112079	Potentiometer 10k
2	120.121424	Knob, potentiometer
3	120/112185	Protection, rectifier
4	120.980463	Wire feed control card
5	CC10/1	10mm copper cable per metre
6	120.121069	Thermostat 15a 250v
7	120/122400	Switch, white rocker
8	120/122752	Switch, rocker illuminated
9	MC3CX1.5	Mains cable blk, 3 core, 1.5mm ²
10	120/153900	Wire feed + torch fixing kit
11	120.169228	Reactance
12	120.169295	Transformer
13	B/609Z	Bearing 609z
14	120/312025	Blade, fan
15	120.312356	Handle
16	120.322112	Bushing
17	120/322126	Casing, feeder roller shaft
18	120/322127	Casing, torch fixing
19	120/322128	Bracket, counter roller
20	120/322143	Ring nut, cable protection
21	120/322172	Spindle, 15-50mm
22	120/322173	Reel ring nut
23	120/322174	Reel thumb screw
24	120/322193	Wheel
25	120.322631	Frame
26	120/422257	Knob, counter roller tension

Item	Part No.	Description
27	120/432102	Bull Nose Adaptor
28	120/452022	Spring, counter roller tension
29	120/452056	Spring catch, door
30	120/452065	Spring, reel
31	120.482783	Wheels axle
32	120/644402	Foot
33	120.644939	Back panel
34	120.644942	Diaphragm
35	120.645088	Bottle holder
36	120.649564	Front panel
37	120.651026	Cover
38	120.644965	Bottom
39	120.655313	Side
40	120.655314	Door
41	120/712001	Clamp, earth (black)
42	120/722019	Feed roller 0.6-0.8/0.9mm
--	REG/MT	MIG Gas Regulator 2 Gauge Industrial (NOT SHOWN)
44	120.742901	Mig torch
45	120/990097	Guide hose 2mm x 4mm x 122mm
46	120/990251	Gear set
47	120/990288	Reel kit, 15-50mm
48	120.990745	Rectifier kit
49	120/152080	Motor, electrofan
50	120/322223	Cap, axle
--	120.422964	Wheel axle support (NOT SHOWN)

NOTE: It is our policy to continually improve products and as such we reserve the right to alter data, specifications and component parts without prior notice.

IMPORTANT: No liability is accepted for incorrect use of product.

WARRANTY: Guarantee is 12 months from purchase date, proof of which will be required for any claim.

Sealey Group, Kempson Way, Suffolk Business Park, Bury St Edmunds, Suffolk. IP32 7AR



01284 757500



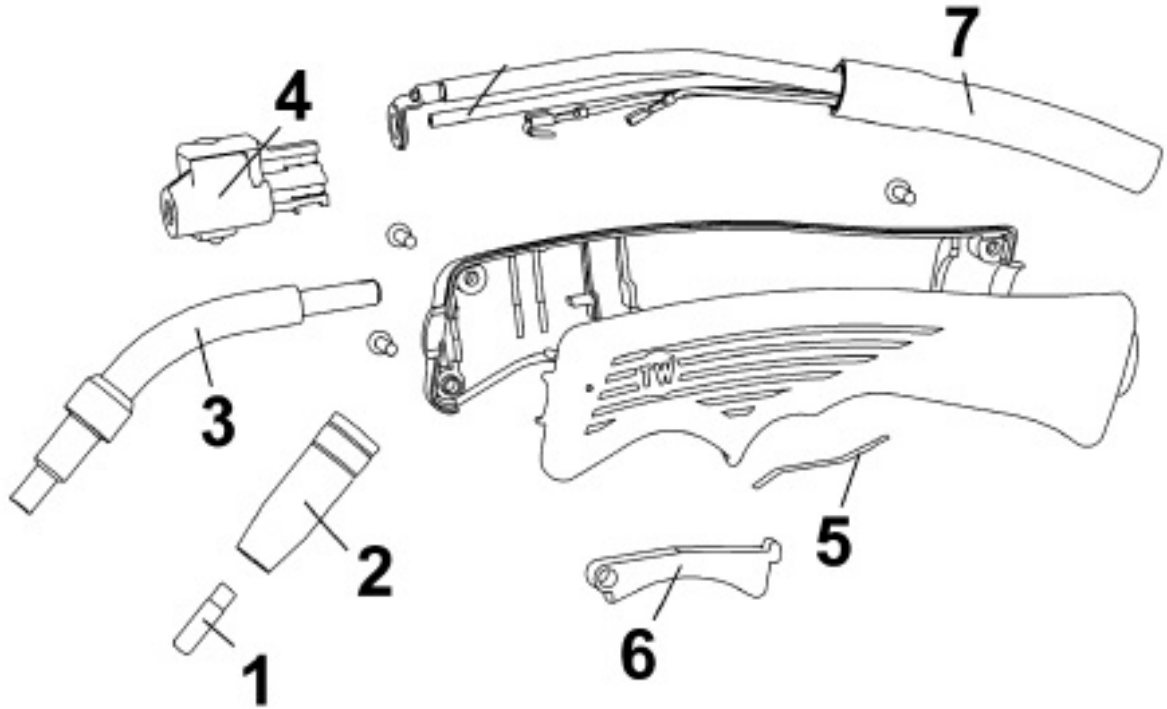
01284 703534



sales@sealey.co.uk



www.sealey.co.uk



Item	Part No.	Description
1	120/722416	Contact tip tr-15 m6-06-0.8mm
2	120/722423	Conical nozzle tb14/tb15 single (
3	120/722078	Lance with diffuser
4	120/990464	Torch connection assembly

Item	Part No.	Description
5	120/452097	Contact spring
6	120/322295	Pushbutton
7	120/990600	Sleeve with cable
--	120/742412	Liner, black, 0.6-0.8mm 2.25m (NOT SHOWN)

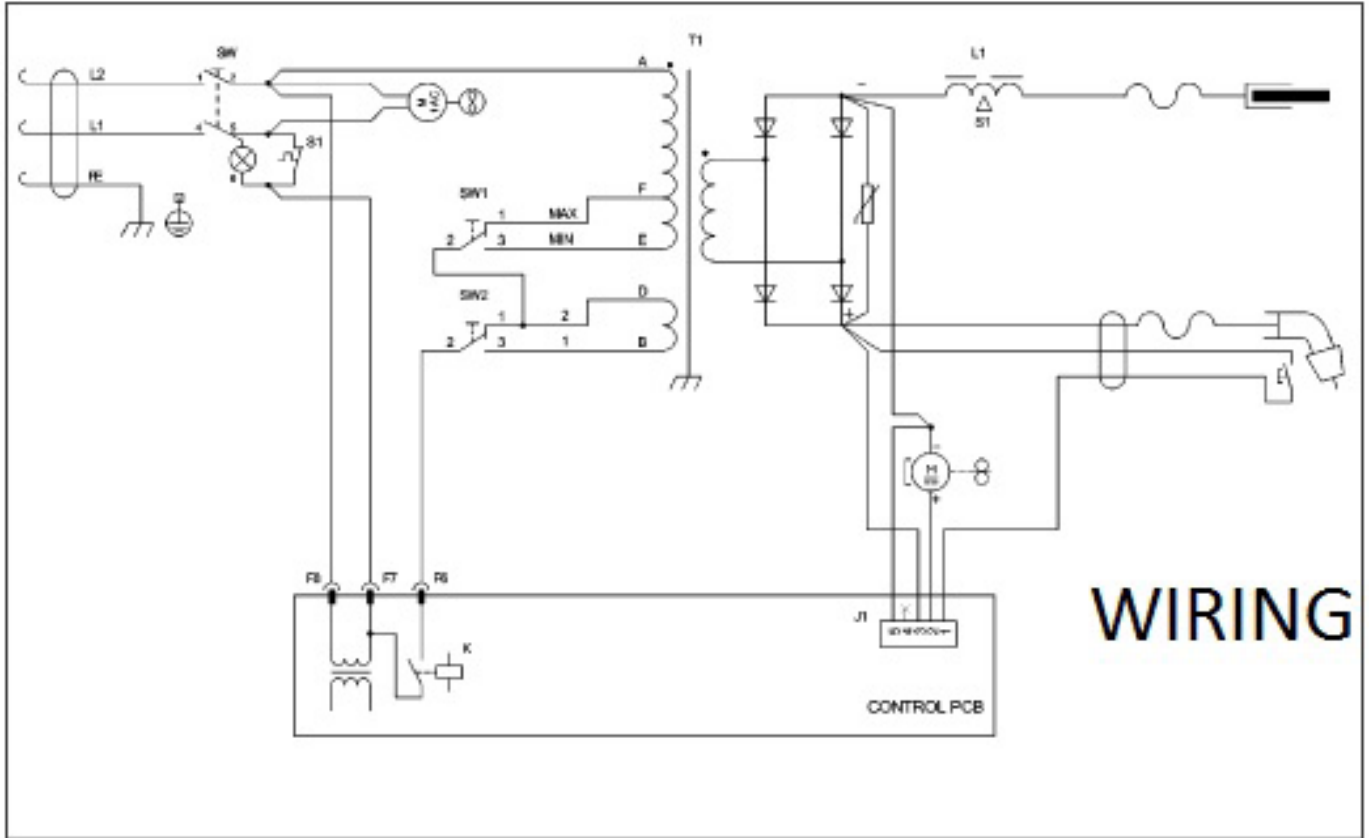
NOTE: It is our policy to continually improve products and as such we reserve the right to alter data, specifications and component parts without prior notice.

IMPORTANT: No liability is accepted for incorrect use of product.

WARRANTY: Guarantee is 12 months from purchase date, proof of which will be required for any claim.



Parts Information:
Professional MIG Welder 150Amp 230V
Model No: SUPERMIG150.V2



NOTE: It is our policy to continually improve products and as such we reserve the right to alter data, specifications and component parts without prior notice.

IMPORTANT: No liability is accepted for incorrect use of product.

WARRANTY: Guarantee is 12 months from purchase date, proof of which will be required for any claim.

Sealey Group, Kempson Way, Suffolk Business Park, Bury St Edmunds, Suffolk. IP32 7AR



01284 757500



01284 703534



sales@sealey.co.uk



www.sealey.co.uk