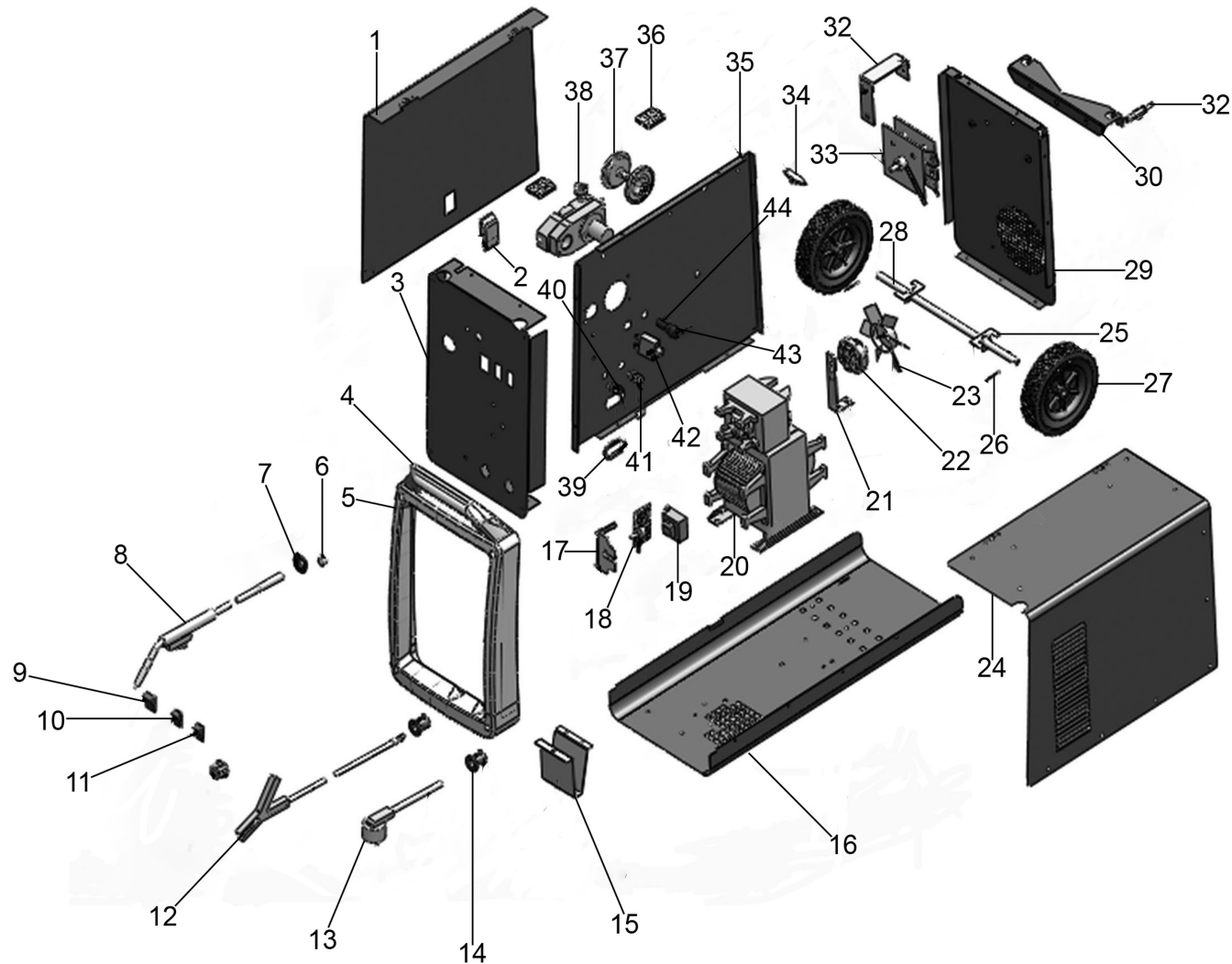




Parts Information:  
**Professional MIG Welder 150A 230V**  
**Model No: SUPERMIG150.V3**



**NOTE:** It is our policy to continually improve products and as such we reserve the right to alter data, specifications and component parts without prior notice.

There may be alternative versions of this product, please contact us should you require this information.

**IMPORTANT:** No liability is accepted for incorrect use of product. Spare parts must be fitted by a competent person

**WARRANTY:** Guarantee is 12 months from purchase date, proof of which will be required for any claim.

Sealey Group, Kempson Way, Suffolk Business Park, Bury St Edmunds, Suffolk. IP32 7AR



01284 757500



01284 703534



sales@sealey.co.uk



www.sealey.co.uk



Parts Information:  
**Professional MIG Welder 150A 230V**  
**Model No: SUPERMIG150.V3**

Item	Part No.	Description
1	SMIG150.V3-01	Left Board
2	SMIG275.14	Door Lock
3	SMIG150.V3-03	Front Panel
4	SMIG230.09	Handle
5	SMIG150.V3-05	Plastic Frame
6	SMIG150.V3-06	Thermal Indicator
7	SMIG150.V3-07	Torch Holder
8	SMIG130.27	Mig Torch
9	SMIG150.V3-09	Switch, Power Rocker, Green 16A 250V
10	SMIG150.V3-10	Switch, rocker (high/low) black 16A 250V
11	PMIG6035S.W25	Knob, Potentiometer
12	SMIG150.V3-12	Earth Cable
13	SMIG140.09	Power Cord
14	250XTD.28	Cable Holder
15	SMIG150.V3-15	Feet
16	SMIG150.V3-16	Base
17	SMIG150.V3-17	Support, PCB
18	SMIG150.V3-18	PCB (c/w Potentiometer)
19	SMIG150.V3-19	Control Transformer
20	SMIG150.V3-20	Main Transformer
21	SMIG150.V3-21	Bracket, Fan
22	SMIG150.V3-22	Motor, Fan
23	SMIG150.V3-23	Blade, Fan
24	SMIG150.V3-24	Board, Right

Item	Part No.	Description
25	SMIG150.V3-25	Bracket, Wheel Axle
26	800TTJ.41	Cotter Pin
27	SMIG230.32	Wheel
28	SMIG150.V3-28	Wheel Axle
29	SMIG150.V3-29	Rear Panel
30	SMIG230.36	Support, Gas Cylinder
31	SMIG150.V3-31	Gas Hose Connector
32	SMIG150.V3-32	Bracket, Rectifier
33	SMIG150.V3-33	Rectifier
34	SMIG180.V3-44	Thermal Relay
35	SMIG150.V3-35	Middle Board
36	SMIG275.12	Plastic Hinge
37	SMIG150.V3-37	Spool Holder
38	SMIG150.V3-38	Wire Feeder
39	SMIG150.V3-39	Coil
40	SMIG150.V3-40	Wire Post (Black)
41	SMIG150.V3-41	Wire Post (Red)
42	SMIG150.V3-42	Circuit Breaker
43	SMIG150.V3-43	Support Block
44	SMIG150.V3-44	Fuse
--	REG/MZ	MIG Gas Regulator (Not Shown)
--	MMIG.CFS	Flange Head Set Screw M8 x 12mm (Not Shown)
--	MIG/GH	Gas Hose (Not Shown)
--	SMIG180.V3-19	EMC (Not Shown)

**NOTE:** It is our policy to continually improve products and as such we reserve the right to alter data, specifications and component parts without prior notice. There may be alternative versions of this product, please contact us should you require this information.

**IMPORTANT:** No liability is accepted for incorrect use of product. Spare parts must be fitted by a competent person

**WARRANTY:** Guarantee is 12 months from purchase date, proof of which will be required for any claim.

**Sealey Group**, Kempson Way, Suffolk Business Park, Bury St Edmunds, Suffolk. IP32 7AR



01284 757500



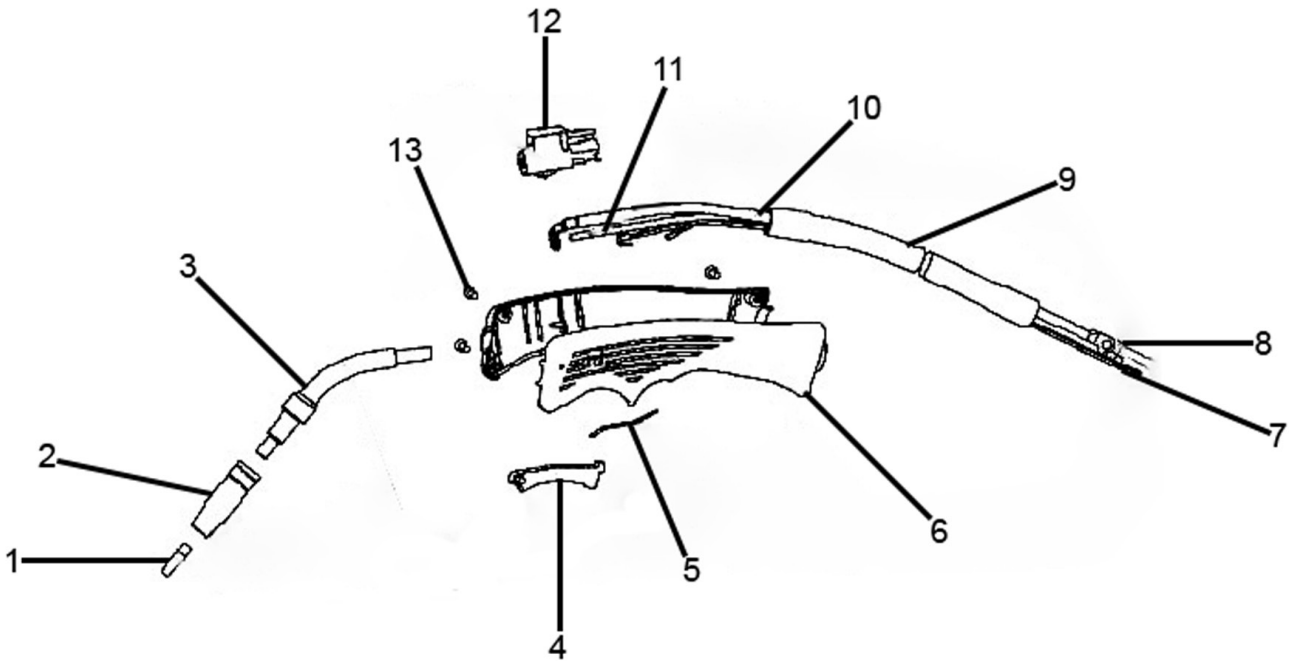
01284 703534



sales@sealey.co.uk



www.sealey.co.uk



Item	Part No.	Description
1	MIG956	Contact Tip 0.6mm (Pack of 5)
2	MIG955	Conical Nozzle (Pack of 3)
3	SMIG150.V3-8C	Swan Neck
4	SMIG130.27-4	Lever, Contact Switch
5	SMIG130.27-5	Contact Plate, Switch
6	SMIG130.27-6	Handle, Torch
7	SMIG130.27-7	Control Cable
8	SMIG130.27-8	Gas Hose

Item	Part No.	Description
9	SMIG130.27-9	Protection Tube
10	SMIG130.27-10	Main Cable
11	SMIG130.27-11	Liner
12	SMIG150.V3-8L	Gas Valve
13	SMIG130.27-13	Handle Screw
--	MIG957	Contact Tip 0.8mm (Pack of 5)(Not Shown)
--	120/722319	Spring, Nozzle (Not Shown)

**NOTE:** It is our policy to continually improve products and as such we reserve the right to alter data, specifications and component parts without prior notice. There may be alternative versions of this product, please contact us should you require this information.

**IMPORTANT:** No liability is accepted for incorrect use of product. Spare parts must be fitted by a competent person

**WARRANTY:** Guarantee is 12 months from purchase date, proof of which will be required for any claim.