

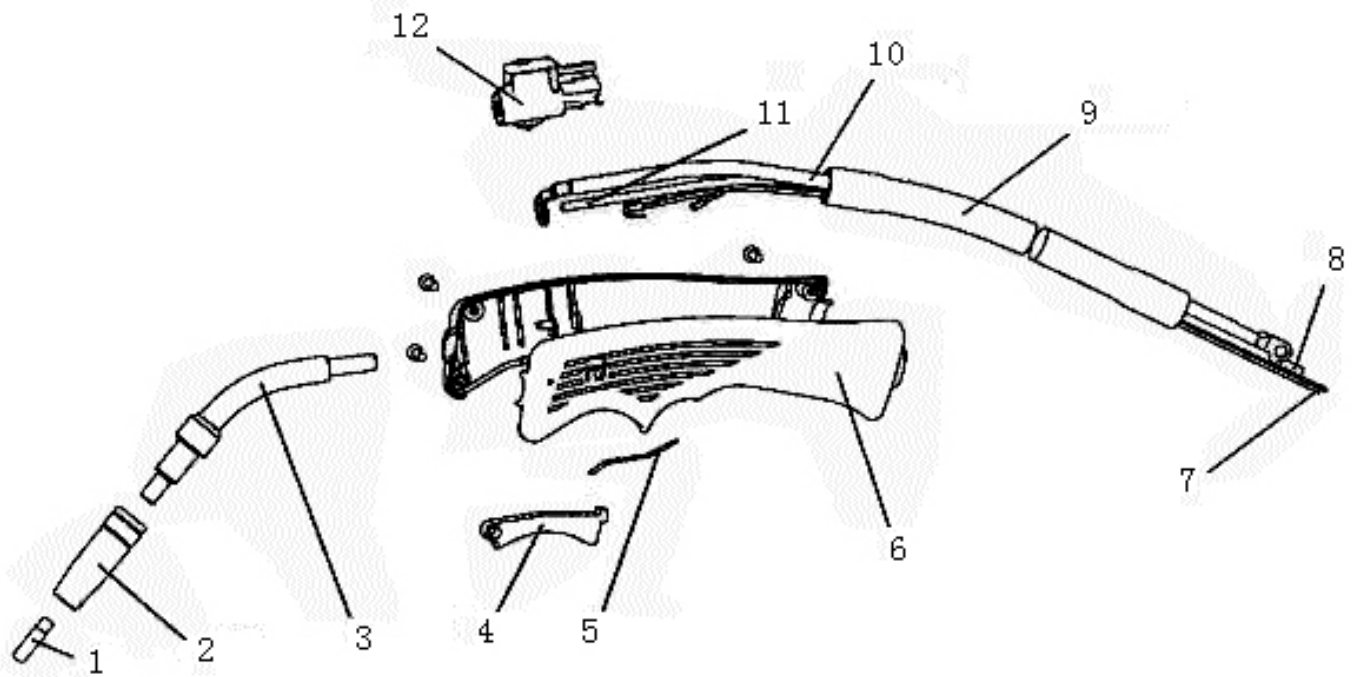
Item	Part No.	Description
1	SMIG140.01	PLASTIC FRAME
2	SMIG150.V3-07	TORCH HOLDER
3	SMIG140.03	MIG TORCH
4	SMIG140.04	INDICATOR
5	M/MIG150.18	SWITCH
6	SMIG150.V3-10	SWITCH II
7	PMIG6035S.W25	POTENTIOMETER KNOB
8	SMIG150.V3-12	GROUNDING CABLE
9	SMIG140.09	POWER CORD
10	250XTD.28	CABLE HOLDER
11	SMIG140.11	FRONT PANEL
12	SMIG140.12	FRONT FEET SUPPORT
13	SMIG140.13	BACK PANEL
14	SMIG140.14	MAIN TRANSFORMER (SO)
15	SMIG140.15	RELAY
16	SMIG150.V3-17	PCB SUPPORT
17	SMIG150.V3-18	PCB
18	SMIG150.V3-19	CONTROL TRANSFORMER
19	SMIG140.19	WHEEL, FIXED PLASTIC (137x8x32)
20	SMIG140.20	EMC
21	SMIG140.21	WHEEL AXLE HOLDER
22	SMIG140.22	CIRCLIP

Item	Part No.	Description
23	SMIG140.23	RIGHT PANEL
24	SMIG140.24	WHEEL AXLE
25	SMIG140.25	COVER
26	SMIG140.26	HANDLE
27	SMIG140.27	HANDLE FRAME
28	SMIG140.28	RECTIFIER
29	SMIG150.V3-32	RECTIFIER BRACKET
30	SMIG140.30	GAS BOTTLE HOLDER
31	SMIG140.31	FASTENING BELT
32	SMIG140.32	FAN BLADE
33	SMIG150.V3-22	FAN MOTOR
34	SMIG150.V3-21	FAN BRACKET
35	SMIG140.35	BACK PANEL
36	SMIG140.36	MIDDLE BOARD
37	SMIG275.12	PLASTIC HINGE
38	SMIG150.V3-37	SPOOL HOLDER
39	SMIG150.V3-38	WIRE FEEDER
40	SMIG140.40	WIRE FEED EMC
41	SMIG140.41	DOOR LOCK
42	SMIG140.42	LEFT BOARD
--	MSC48.S	CSK PHILLIPS MACHINE SCREW M4x8 (SINGLE)

NOTE: It is our policy to continually improve products and as such we reserve the right to alter data, specifications and component parts without prior notice.

IMPORTANT: No liability is accepted for incorrect use of product.

WARRANTY: Guarantee is 12 months from purchase date, proof of which will be required for any claim.



Item	Part No.	Description
1	MIG956	CONTACT TIP 0.6mm TB15 Pack of 5
2	MIG955	CONICAL NOZZLE TB15 Pack of 3
3	SMIG150.V3-8C	SWAN NECK
4	SMIG150.V3-8D	SWITCH
5	SMIG150.V3-8E	SWITCH CONTACT PLATE
6	S0771.27-6	TORCH HANDLE

Item	Part No.	Description
7	SMIG150.V3-8G	CONTROL CABLE
8	SMIG150.V3-8H	GAS HOSE
9	SMIG150.V3-8I	PROTECTION TUBE
10	SMIG150.V3-8J	MAIN CABLE
11	SMIG150.V3-8K	LINER
12	SMIG150.V3-8L	TORCH CONNECTION ASSEMBLY

NOTE: It is our policy to continually improve products and as such we reserve the right to alter data, specifications and component parts without prior notice.

IMPORTANT: No liability is accepted for incorrect use of product.

WARRANTY: Guarantee is 12 months from purchase date, proof of which will be required for any claim.