

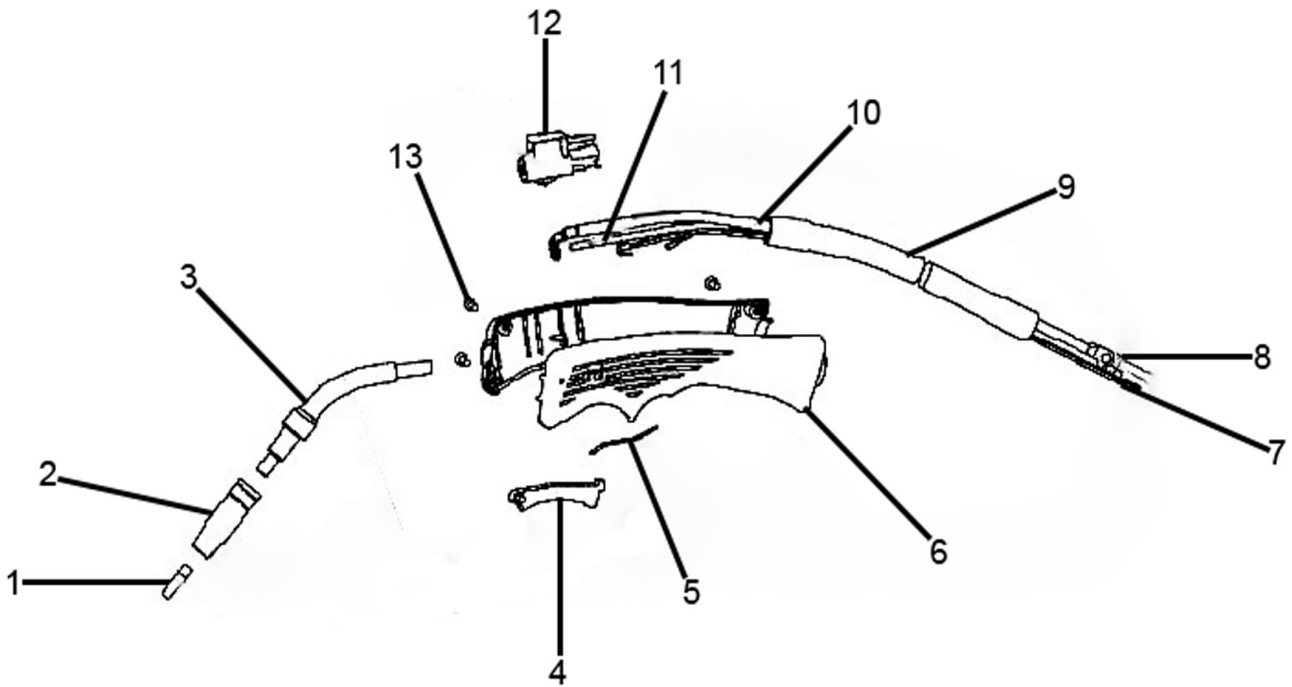
Item	Part No.	Description
1	SMIG130-V2-01	Side Panel, Left
2	SMIG150.V3-37	Spool Holder
3	SMIG140.41	Door Lock
4	SMIG150.V3-38	Wire Feeder
5	SMIG150.V3-19	Control Transformer
6	SMIG130.06	Middle Panel
7	SMIG130.07	Back Panel
8	SMIG130.08	Belt
9	SMIG130.09	Holder, Gas Bottle
10	SMIG130.10	Rectifier
11	SMIG140.27	Handle Frame
12	SMIG130.12	Thermal Relay
13	SMIG130.13	Fan Blade
14	SMIG150.V3-22	Fan Motor
15	SMIG150.V3-21	Fan Bracket
16	SMIG130-V2-16	Side Panel, Right

Item	Part No.	Description
17	SMIG130.17	Transformer
18	SMIG130.18	Bottom Panel
19	SMIG130.19	PCB (c/w Potentiometer)
20	PMIG6035S.W25	Knob, Potentiometer
21	SMIG130-V2-21	Front Panel
22	250XTD.28	Cable Holder
23	SMIG150.V3-10	Switch, Rocker (High/Low)
24	MC3CX1.5	Mains Cable
25	SMIG130.25	Earth Cable (c/w Clamp)
26	M/MIG150.18	Switch, Rocker
27	SMIG130.27	Mig Torch
28	SMIG150.V3-07	Torch Holder
29	SMIG130.29	Indicator
30	SMIG150.V3-17	Support, PCB
31	SMIG150.V3-32	Bracket, Rectifier

NOTE: It is our policy to continually improve products and as such we reserve the right to alter data, specifications and component parts without prior notice. There may be alternative versions of this product, please contact us should you require this information.

IMPORTANT: No liability is accepted for incorrect use of product. Spare parts must be fitted by a competent person

WARRANTY: Guarantee is 12 months from purchase date, proof of which will be required for any claim.



Item	Part No.	Description
1	MIG956	Contact Tip 0.6mm MB15 (Pack of 5)
2	MIG955	Nozzle, Conical TB15 (Pack of 3)
3	SMIG150.V3-8C	Swan Neck
4	SMIG130.27-4	Lever, Contact Switch
5	SMIG130.27-5	Contact Plate, Switch
6	SMIG130.27-6	Handle, Torch
7	SMIG130.27-7	Control Cable
8	SMIG130.27-8	Gas Hose

Item	Part No.	Description
9	SMIG130.27-9	Protection Tube
10	SMIG130.27-10	Main Cable
11	SMIG130.27-11	Liner
12	SMIG150.V3-8L	Gas Valve
13	SMIG130.27-13	Screw, Handle
--	MIG957	Contact Tip 0.8mm MB15 (Pack of 5) (Not Shown)
--	120/722319	Spring for Nozzle MB15 (Not Shown)

NOTE: It is our policy to continually improve products and as such we reserve the right to alter data, specifications and component parts without prior notice. There may be alternative versions of this product, please contact us should you require this information.

IMPORTANT: No liability is accepted for incorrect use of product. Spare parts must be fitted by a competent person

WARRANTY: Guarantee is 12 months from purchase date, proof of which will be required for any claim.