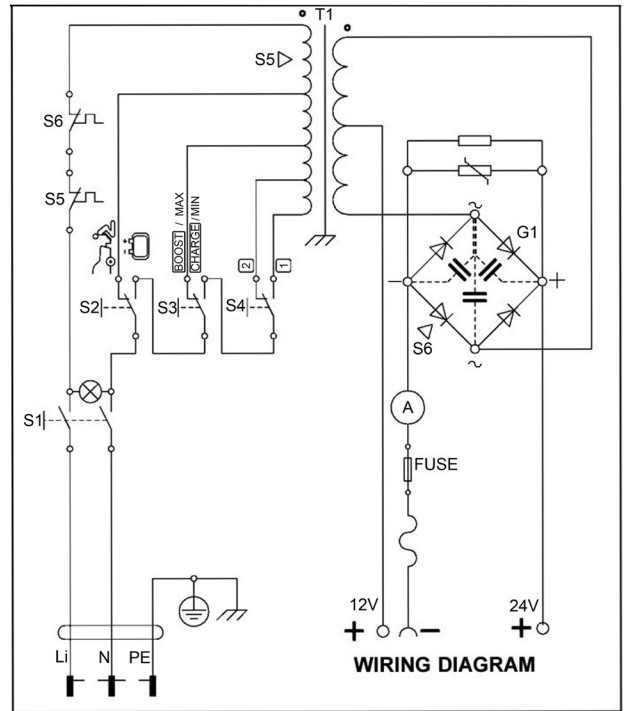
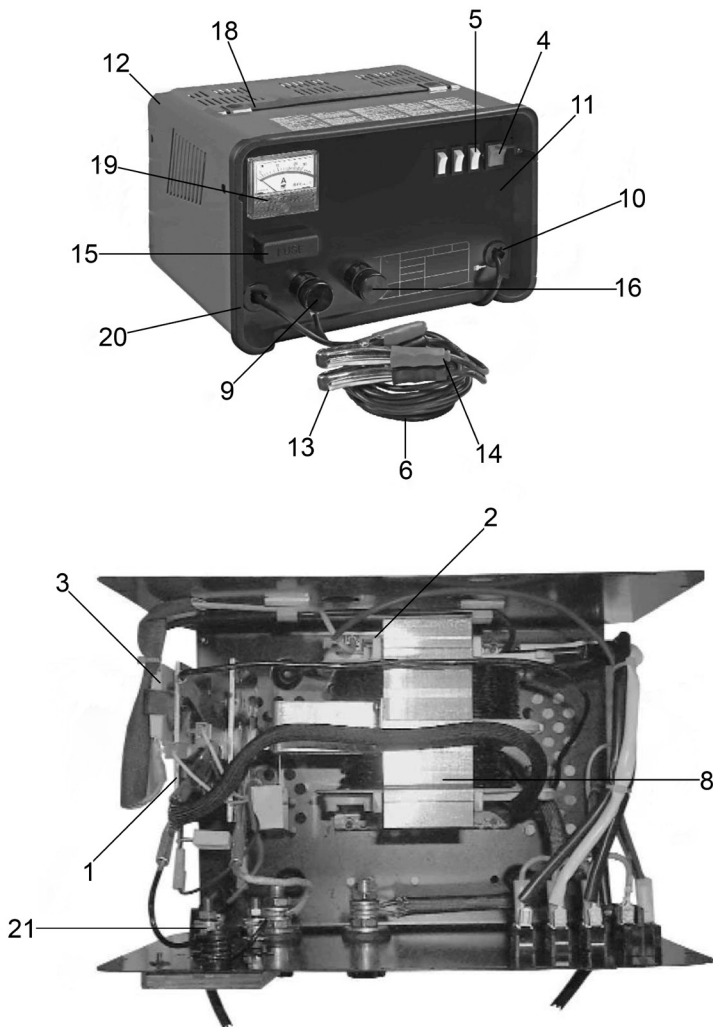




Parts Information:
Starter/Charger 200/45Amp 12/24V 230V
Model No: SUPERBOOST200.V3



Item	Part No.	Description
1	120.990685	Rectifier Kit
2	120.121069	Thermostat 15A 250V
3	120.121021	Thermostat 15A 250-400V
4	120/122381	Switch, Green Rocker 250V
5	120/122400	Switch, White Rocker
6	120/123425	Wire
8	120.169140	Transformer
9	120/312053	Knob, Terminal
10	120.322112	Bushing
11	120.980023	Front Panel
12	120.990948	Cover Kit
13	120/712001	Clamp, Earth (Black)

Item	Part No.	Description
14	120/712002	Clamp, Positive (Red)
15	START560.03	Fuse Cover
16	120/990162	Terminal Complete
18	120/990341	Handle
19	120.152020	Ammeter
20	120.322666	Frame
21	120/990072	Fuse Terminal Complete
--	120/990163	Insulating Washer (Not Shown)
--	120/802259	Fuse 50Amp (Pack of 20) (Not Shown)
--	START180.F20	Fuse 50Amp (Pack of 20) (Not Shown)
--	120.980036	Fuse Holder (Not Shown)

NOTE: It is our policy to continually improve products and as such we reserve the right to alter data, specifications and component parts without prior notice. There may be alternative versions of this product, please contact us should you require this information.

IMPORTANT: No liability is accepted for incorrect use of product. Spare parts must be fitted by a competent person

WARRANTY: Guarantee is 12 months from purchase date, proof of which will be required for any claim.

Sealey Group, Kempson Way, Suffolk Business Park, Bury St Edmunds, Suffolk. IP32 7AR



01284 757500



01284 703534



sales@sealey.co.uk



www.sealey.co.uk