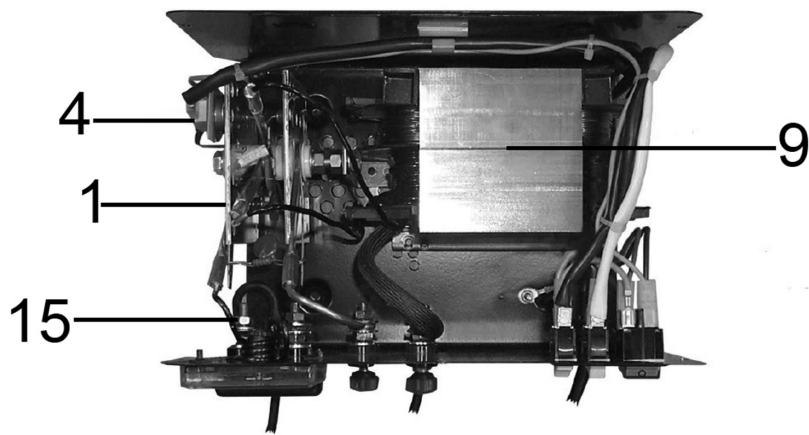
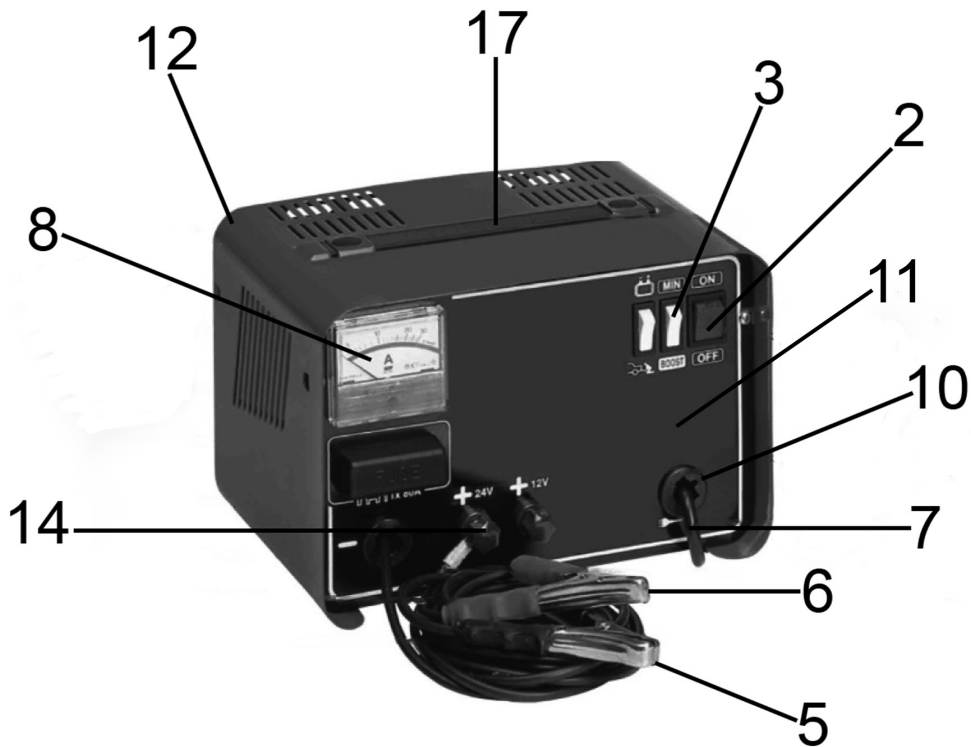




Parts Information:  
**Starter/Charger 180/40Amp 12/24V 230V**  
**Model No: SUPERBOOST180.V3**



Item	Part No.	Description
1	120.990774	Rectifier Kit
2	120/122381	Switch, Green Rocker
3	120/122400	Switch, White Rocker
4	120.121021	Thermostat 15A 250-400V
5	120/123569	Work Clamp (c/w Cable)
6	120.123581	Clamp, Positive (c/w Cable)
7	MC3CX1.5	Mains Cable
8	120.152020	Ammeter
9	120.169561	Transformer

Item	Part No.	Description
10	120.322112	Bushing
11	120.990807	Front Panel
12	120/650381	Cover
14	120/990162	Terminal Complete
15	120/990072	Fuse Terminal Complete
17	120/990340	Handle
--	120/802256	Fuse 15Amp (Pack of 10) (Not Shown)
--	120.712361	Pincer, Colorado 60B Work Clamp (Not Shown)
--	120.712360	Pincer, Colorado 60R Positive Clamp (Not Shown)

**NOTE:** It is our policy to continually improve products and as such we reserve the right to alter data, specifications and component parts without prior notice. There may be alternative versions of this product, please contact us should you require this information.

**IMPORTANT:** No liability is accepted for incorrect use of product. Spare parts must be fitted by a competent person

**WARRANTY:** Guarantee is 12 months from purchase date, proof of which will be required for any claim.

**Sealey Group**, Kempson Way, Suffolk Business Park, Bury St Edmunds, Suffolk. IP32 7AR



01284 757500



01284 703534



sales@sealey.co.uk



www.sealey.co.uk