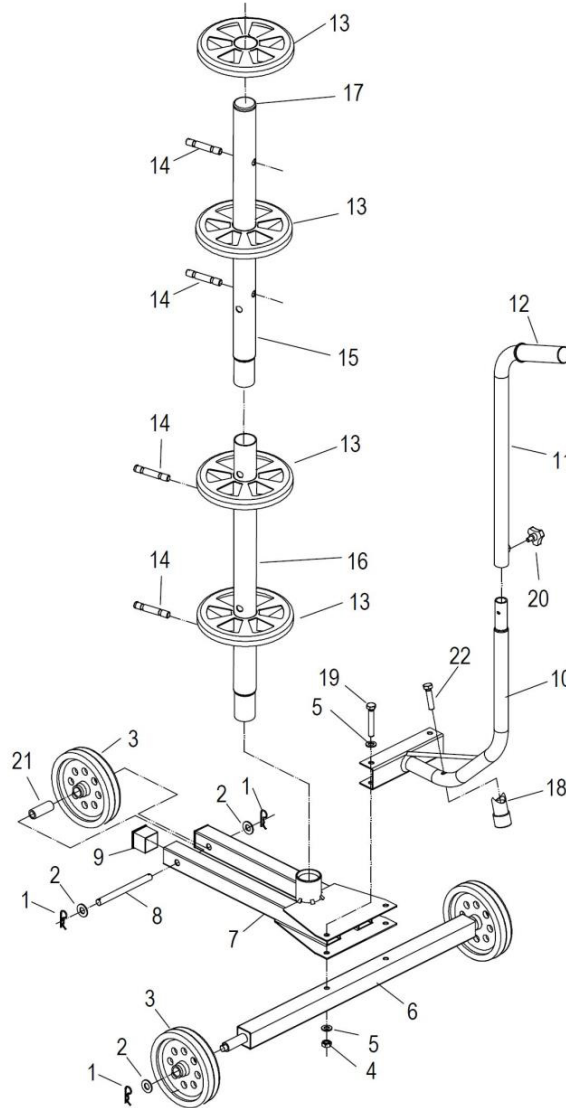




Parts Information:  
**Wheel Storage Trolley 100kg Capacity with Handle**  
**Model No: STR005**



Item	Part No.	Description
1	STR005.01	R-PIN
--	STR005.V2-01	BASE (c/w CASTOR WHEEL) (NOT SHOWN)
2	STR005.02	FLAT WASHER 10mm
3	STR005.03	WHEEL
4	SN8.S	STEEL NUT M8 ZINC DIN934 (SINGLE)
5	STR005.05	FLAT WASHER 8mm
6	STR005.06	REAR WHEEL FRAME
7	STR005.07	BASE
8	STR005.08	FRONT WHEEL SHAFT
9	STR005.09	END PLUG (SQUARE)
10	STR005.10	HANDLE (LOWER)
11	STR005.11	HANDLE (UPPER)

Item	Part No.	Description
12	STR005.12	HANDLE GRIP
13	STR005.13	PROTECTIVE SUPPORT
14	STR005.14	SUPPORT PIN
15	STR005.15	UPRIGHT TUBE (UPPER)
16	STR005.16	UPRIGHT TUBE (LOWER)
17	STR005.17	END PLUG (ROUND)
18	STR005.18	SUPPORT FOOT
19	STR005.19	HEX BOLT M8x50
20	STR005.20	HANDLE KNOB
21	STR005.21	FRONT WHEEL BUSH
22	STR005.22	HEX BOLT M8x30

**NOTE:** It is our policy to continually improve products and as such we reserve the right to alter data, specifications and component parts without prior notice.

**IMPORTANT:** No liability is accepted for incorrect use of product.

**WARRANTY:** Guarantee is 12 months from purchase date, proof of which will be required for any claim.

Sealey Group, Kempson Way, Suffolk Business Park, Bury St Edmunds, Suffolk. IP32 7AR



01284 757500



01284 703534



sales@sealey.co.uk



www.sealey.co.uk