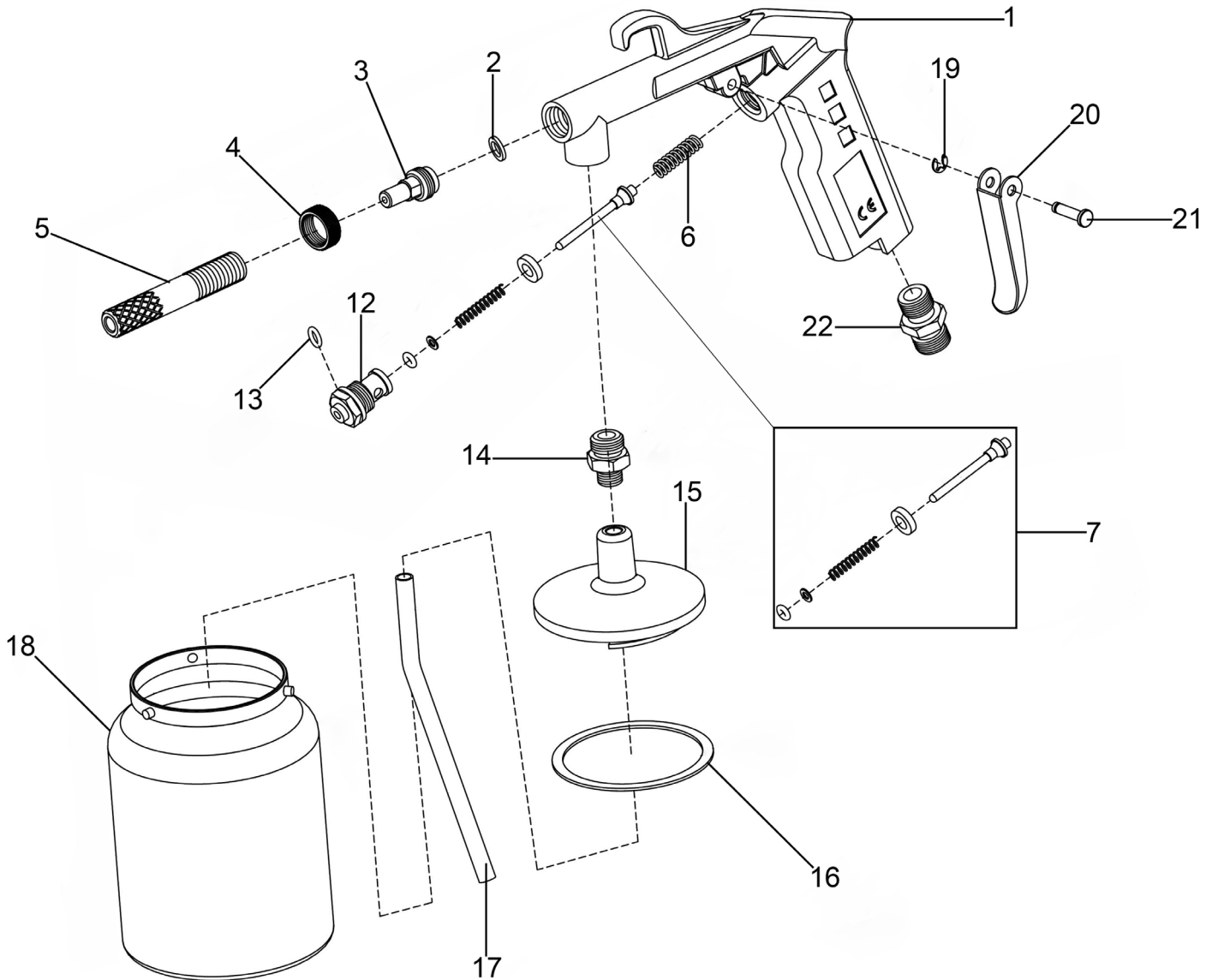


Parts Information:
**Sandblasting Gun Economy Type with
 6mm Nozzle**
Model No: SSG8E.V3



| Item | Part No. | Description |
|------|-------------|-------------------------|
| 1 | SSG8E.V3-01 | Gun Body |
| 2 | SSG8E.V3-02 | Gasket, Air Nozzle |
| 3 | SSG8E.V3-03 | Air Nozzle |
| 4 | SSG8E.V3-04 | Lock Nut |
| 5 | SSG8E.V3-05 | Nozzle |
| 6 | SSG8E.V3-06 | Spring, Air Valve |
| 7 | SSG8E.V3-07 | Air Valve Stem Assembly |
| 12 | SSG8E.V3-12 | Air Valve Body |
| 13 | SSG8E.V3-13 | O-Ring |
| 14 | SSG8E.V3-14 | Coupling |
| 15 | SSG8E.V3-15 | Pot Lid |
| 16 | SSG8E.V3-16 | Gasket Seal |

| Item | Part No. | Description |
|------|--------------|-------------------------------|
| 17 | SSG8E.V3-17 | Dip Tube |
| 18 | SSG8E.V3-18 | Pot |
| 19 | SSG8E.V3-19 | E-Clip |
| 20 | SSG8E.V3-20 | Trigger |
| 21 | SSG8E.V3-21 | Pin, Trigger |
| 22 | SSG8E.V3-22 | Air Joint |
| -- | SSG8E.V3-03A | Air Nozzle A (Not Shown) |
| -- | SSG8E.V3-08 | Gasket (Not Shown) |
| -- | SSG8E.V3-09 | Spring, Air Valve (Not Shown) |
| -- | SSG8E.V3-10 | Gasket (Not Shown) |
| -- | SSG8E.V3-11 | O-Ring (Not Shown) |

NOTE: It is our policy to continually improve products and as such we reserve the right to alter data, specifications and component parts without prior notice. There may be alternative versions of this product, please contact us should you require this information.

IMPORTANT: No liability is accepted for incorrect use of product. Spare parts must be fitted by a competent person

WARRANTY: Guarantee is 12 months from purchase date, proof of which will be required for any claim.