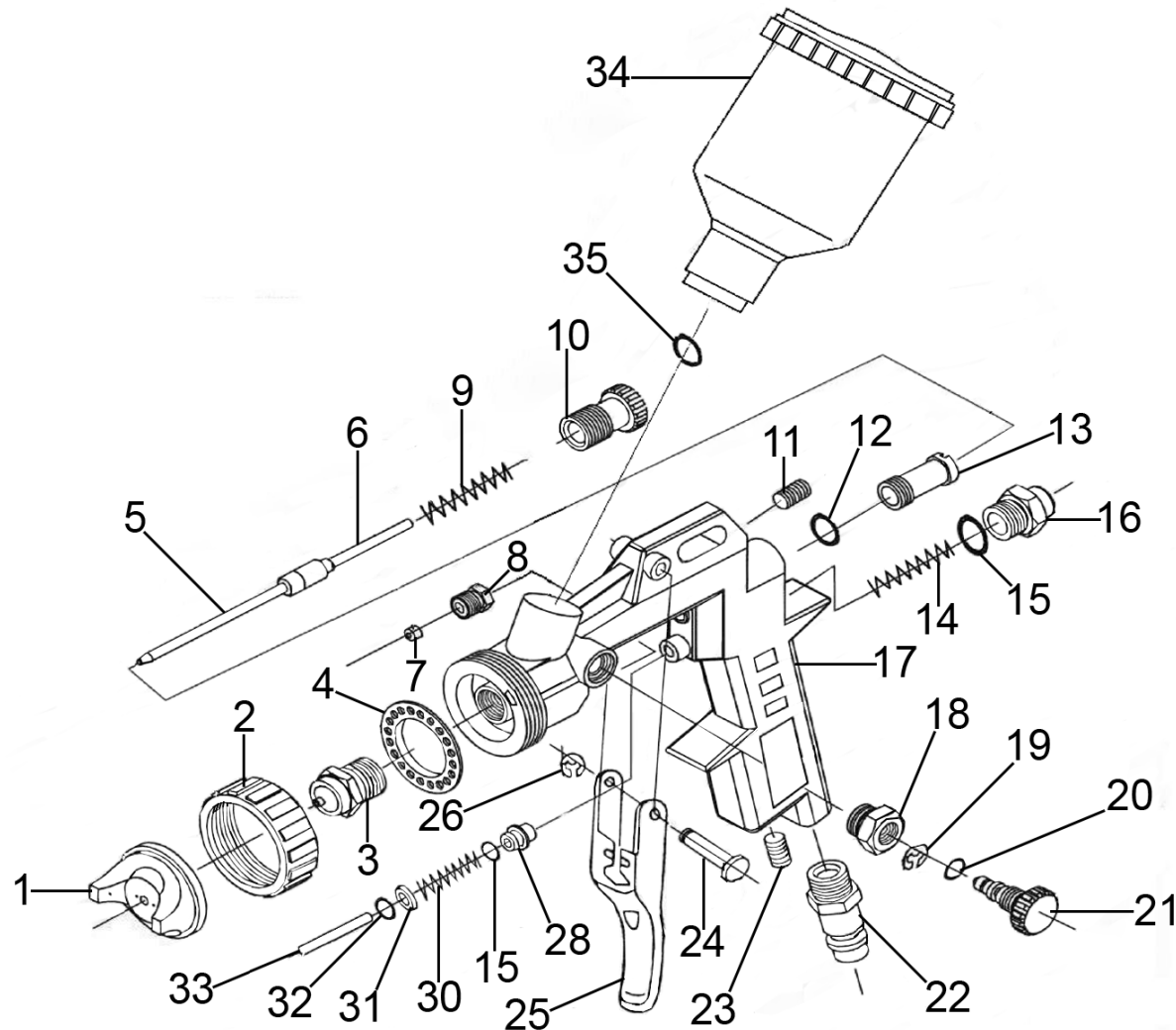


Parts Information:
Spray Gun Gravity Feed 2.2mm Set-Up
Model No: SSG501.V3



NOTE: It is our policy to continually improve products and as such we reserve the right to alter data, specifications and component parts without prior notice.

There may be alternative versions of this product, please contact us should you require this information.

IMPORTANT: No liability is accepted for incorrect use of product. Spare parts must be fitted by a competent person

WARRANTY: Guarantee is 12 months from purchase date, proof of which will be required for any claim.

Sealey Group, Kempson Way, Suffolk Business Park, Bury St Edmunds, Suffolk. IP32 7AR



01284 757500



sales@sealey.co.uk



www.sealey.co.uk



Parts Information:
Spray Gun Gravity Feed 2.2mm Set-Up
Model No: SSG501.V3

Item	Part No.	Description	Qty
1	SSG401.V2-01	Air Cap (1.5mm)	1
--	SSG401.V2-01A	Air Cap (1.2mm)	1
--	SSG401.V2-01B	Air Cap (1.8mm)	1
--	SSG401.V2-01C	Air Cap (2.0mm)	1
--	SSG401.V2-01D	Air Cap (2.2mm)	1
--	SSG401.V2-01E	Air Cap (2.5mm)	1
2	SSG401.V2-02	Air Cap Retaining Ring	1
3	SSG401.V2-03	Fluid Nozzle (1.5mm)	1
--	SSG401.V2-03A	Fluid Nozzle (1.2mm)	1
--	SSG401.V2-03B	Fluid Nozzle (1.8mm)	1
--	SSG401.V2-03C	Fluid Nozzle (2.0mm)	1
--	SSG401.V2-03D	Fluid Nozzle (2.2mm)	1
--	SSG401.V2-03E	Fluid Nozzle (2.5mm)	1
4	SSG401.V2-04	Gasket	1
5	SSG401.V2-05	Fluid Needle (1.5mm)	1
--	SSG401.V2-05A	Fluid Needle (1.2mm)	1
--	SSG401.V2-05B	Fluid Needle (1.8mm)	1
--	SSG401.V2-05C	Fluid Needle (2.0mm)	1
--	SSG401.V2-05D	Fluid Needle (2.2mm)	1
--	SSG401.V2-05E	Fluid Needle (2.5mm)	1
6	SSG401.V2-06	Spring Axis	1
7	SSG401.V2-07	Packing	1
8	SSG401.V2-08	Packing Seat	1
9	SSG401.V2-09	Fluid Needle Spring Ø 6.4mm	1
10	SSG401.V2-10	Knob, Fluid Adjustment Ø 14mm	1
11	GSM810.S	Grub Screw M8 x 10mm	1
12	SSG401.V2-12	O-Ring (8.61 x 6.07 x 1.27)	1
13	SSG401.V2-13	Guide, Fluid Adjustment	1

Item	Part No.	Description	Qty
14	SSG401.V2-14	Air Valve Spring Ø 6.7mm	1
15	SA802.23	O-Ring (9.63 x 6.07 x 1.78)	2
16	SSG401.V2-16	Packing Seat	1
17	SSG501.V3-17	Gun Body	1
18	SSG401.V2-18	Packing Seat	1
19	HVLP736.30	E- Clip 2.4mm	1
20	SA401.03	O-Ring (6.46 x 2.90 x 1.78)	1
21	SSG401.V2-21	Fluid Adjusting Screw	1
22	SSG401.V2-22	Air Joint	1
23	SSG401.V2-23	Screw	1
24	SSG401.V2-24	Trigger Stud	1
25	SSG401.V2-25	Trigger	1
26	SSG401.V2-26	E-Clip 4mm ID	1
28	SSG401.V2-33	Air Valve Rod Assembly	1
30	SSG401.V2-30	Packing Spring	1
31	SSG401.V2-31	Gasket	1
32	SA792.V3-67	O-Ring (6.13 x 2.57 x 1.78)	1
33	SSG401.V2-33	Air Valve Rod Assembly	1
34	SSG501.V3-34	Gravity Feed Cup	1
35	SSG501.V3-35	Plastic Seal Washer 13.8mm ID	1
--	SSG401.V2-27	Fluid Joint	1
--	SSG401V2-S1.2	Set-Up 1.2mm (Not Shown)	--
--	SSG401V2-S1.5	Set-Up 1.5mm (Not Shown)	--
--	SSG401V2-S1.8	Set-Up 1.8mm (Not Shown)	--
--	SSG401V2-S2.0	Set-Up 2.0mm (Not Shown)	--
--	SSG401V2-S2.2	Set-Up 2.2mm (Not Shown)	--
--	SSG401V2-S2.5	Set-Up 2.5mm (Not Shown)	--

NOTE: It is our policy to continually improve products and as such we reserve the right to alter data, specifications and component parts without prior notice. There may be alternative versions of this product, please contact us should you require this information.

IMPORTANT: No liability is accepted for incorrect use of product. Spare parts must be fitted by a competent person

WARRANTY: Guarantee is 12 months from purchase date, proof of which will be required for any claim.

Sealey Group, Kempson Way, Suffolk Business Park, Bury St Edmunds, Suffolk. IP32 7AR



01284 757500



sales@sealey.co.uk



www.sealey.co.uk