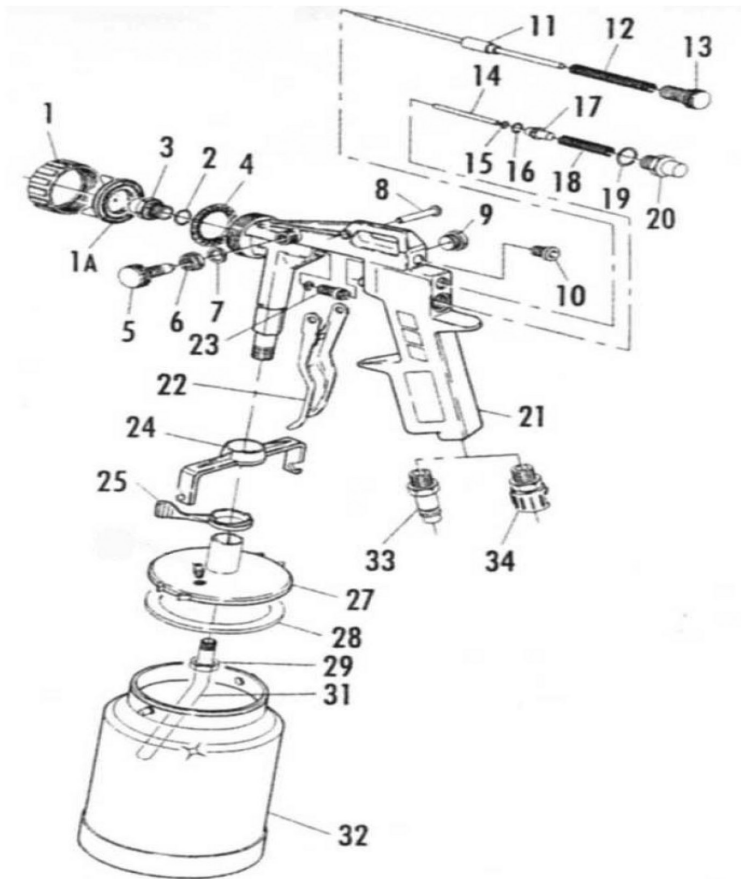


Parts Information: Spray Gun Suction Feed 1.5mm Set-Up Model No: SSG401



Item	Part No.	Description
1	SSG401/01	Retaining Ring, Air Cap
1A	SSG401/01A	Air Cap
2	SSG401/02	O-Ring
3	SSG401/03	Nozzle
4	SSG401/04	Seal Ring
5	SSG401/05	Screw, Regulator
6	SSG401/06	Nut
7	SSG401/07	Washer
8	SSG401/08	Rivet
9	SSG401/09	Screw
10	SSG401/10	Screw
11	SSG401/11	Needle
12	SSG401/12	Spring
13	SSG401/13	Regulator
14	SSG401/14	Piston Rod
15	SSG401/15	O-Ring
16	SSG401/16	O-Ring
17	SSG401/17	Valve
18	SSG401/18	Spring
19	SSG401/19	Washer

Item	Part No.	Description
20	SSG401/20	Screw
21	SSG401/21	Handle
22	SSG401/22	Trigger
23	SSG401/23	Plug
24	SSG401/24	Yoke
25	SSG401/25	Lid Lock
27	SSG401/27	Pot Lid
28	SSG401/28	Pot Gasket
29	SSG401/29	Nut
31	SSG401/31	Tube
32	SSG401/32	Pot
33	SSG401/33	Connector
34	SSG401/34	Coupling
--	SSG501-SET1.2	Set-Up 1.2mm (Not Shown)
--	SSG501-SET1.5	Set-Up 1.5mm (Not Shown)
--	SSG501-SET1.8	Set-Up 1.8mm (Not Shown)
--	SSG501-SET2.0	Set-Up 2.0mm (Not Shown)
--	SSG501-SET2.2	Set-Up 2.2mm (Not Shown)
--	SSG501-SET2.5	Set-Up 2.5mm (Not Shown)

NOTE: It is our policy to continually improve products and as such we reserve the right to alter data, specifications and component parts without prior notice. There may be alternative versions of this product, please contact us should you require this information.

IMPORTANT: No liability is accepted for incorrect use of product. Spare parts must be fitted by a competent person

WARRANTY: Guarantee is 12 months from purchase date, proof of which will be required for any claim.