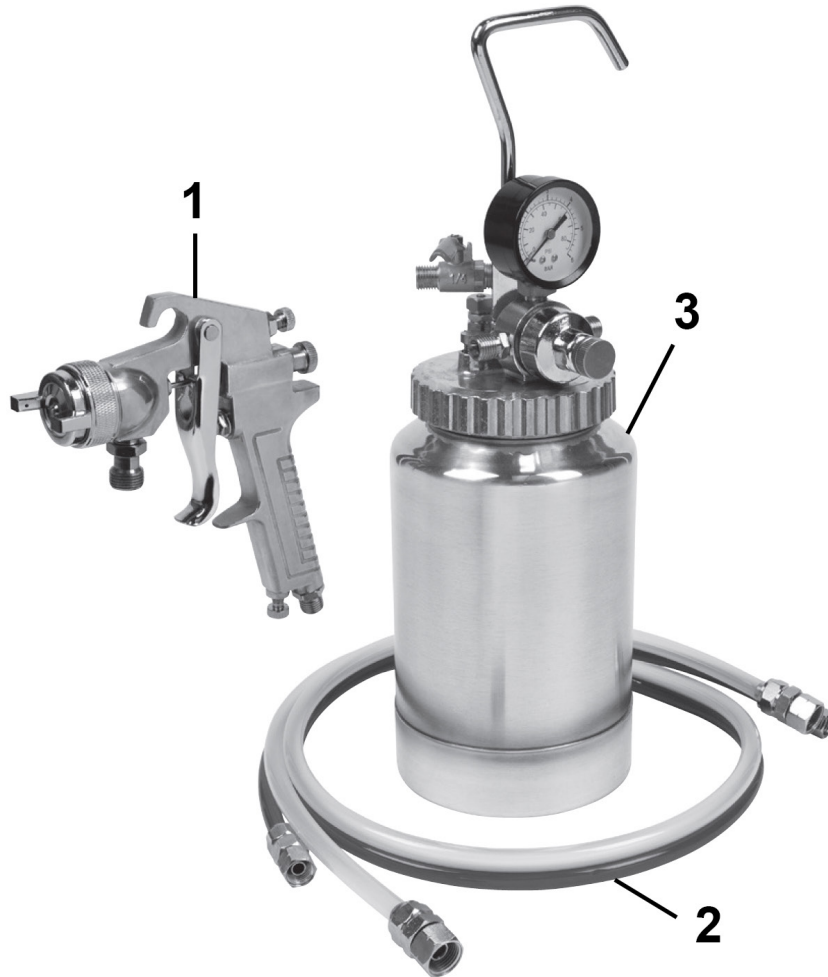




Parts Information:
Pressure Pot System with Spray Gun &
Hoses 1.8mm Set-Up
Model No: SSG1P.V3



Item	Part No.	Description
1	SSG1P/1	Spray Gun for SSG1P 1.8mm Set-Up
2	HVLP-79/P2	Hose Set 1.3m for HVLP-79/P & SSG1P

Item	Part No.	Description
3	SSG1P/3	Pressure Pot 2L for SSG1P

NOTE: It is our policy to continually improve products and as such we reserve the right to alter data, specifications and component parts without prior notice. There may be alternative versions of this product, please contact us should you require this information.

IMPORTANT: No liability is accepted for incorrect use of product. Spare parts must be fitted by a competent person

WARRANTY: Guarantee is 12 months from purchase date, proof of which will be required for any claim.

Sealey Group, Kempson Way, Suffolk Business Park, Bury St Edmunds, Suffolk. IP32 7AR



01284 757500



01284 703534

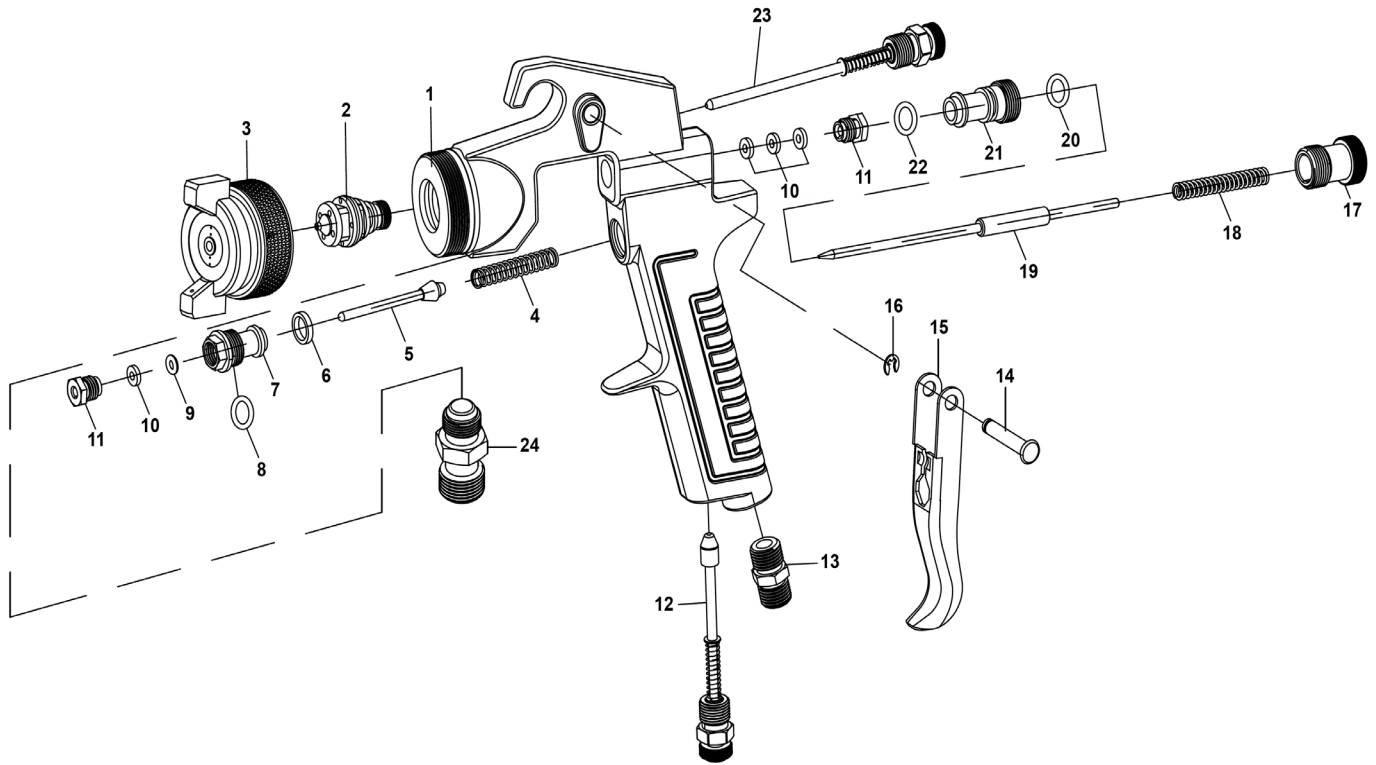


sales@sealey.co.uk



www.sealey.co.uk

Parts Information:
**Pressure Pot System with Spray Gun &
 Hoses 1.8mm Set-Up
 Model No: SSG1P.V3**



Item	Part No.	Description
1	SSG1P-1-V3-01	Gun Body
2	SSG1P-1-V3-02	Air Nozzle 1.8mm
3	SSG1P-1-V3-03	Air Nozzle Cap 1.8mm
4	SSG1P-1-V3-04	Air Valve Spring
5	SSG1P-1-V3-05	Air Valve Stem
6	SSG1P-1-V3-06	Sealing Gasket
7	SSG1P-1-V3-07	Air Valve Seat
8	SSG1P-1-V3-08	O-Ring (7.5 x 1.8mm)
9	SSG1P-1-V3-09	O-Ring (2.8 x 1.8mm)
10	SSG1P-1-V3-10	Air Valve Gasket
11	SSG1P-1-V3-11	Air Valve Screw
12	SSG1P-1-V3-12	Air Adjusting Valve Assembly

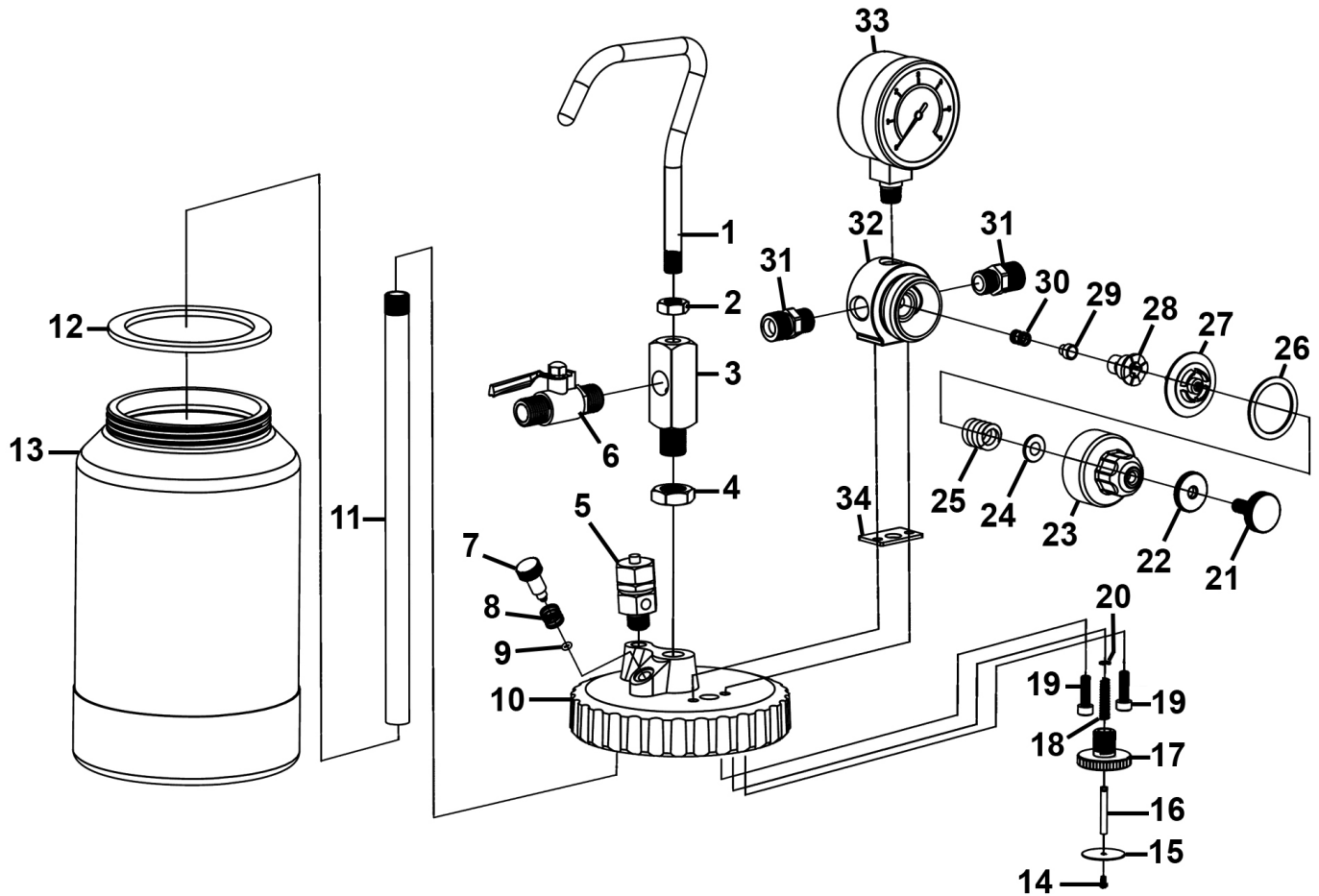
Item	Part No.	Description
13	SSG1P-1-V3-13	Air Connector
14	SSG1P-1-V3-14	Trigger Pin
15	SSG1P-1-V3-15	Trigger
16	SSG1P-1-V3-16	E-Ring
17	SSG1P-1-V3-17	Needle Adjustment Knob
18	SSG1P-1-V3-18	Needle Adjustment Spring
19	SSG1P-1-V3-19	Fluid Needle 1.8mm
20	SSG1P-1-V3-20	O-Ring (8 x 1.9mm)
21	SSG1P-1-V3-21	Needle Guide Seat
22	SSG1P-1-V3-22	O-Ring (6 x 2mm)
23	SSG1P-1-V3-23	Pattern Adjustment Assembly
24	SSG1P-1-V3-24	Fluid Connector

NOTE: It is our policy to continually improve products and as such we reserve the right to alter data, specifications and component parts without prior notice. There may be alternative versions of this product, please contact us should you require this information.

IMPORTANT: No liability is accepted for incorrect use of product. Spare parts must be fitted by a competent person

WARRANTY: Guarantee is 12 months from purchase date, proof of which will be required for any claim.

Parts Information: Pressure Pot System with Spray Gun & Hoses 1.8mm Set-Up Model No: SSG1P.V3



Item	Part No.	Description
1	SSG1P-3-V3-01	Handle
2	SN8.S	Steel Nut M8 Zinc
3	SSG1P-3-V3-03	Ball Valve Connector
4	SSG1P-3-V3-04	Hex Nut M12x1
5	SSG1P-3-V3-05	Safety Valve Assembly
6	SSG1P-3-V3-06	Ball Valve
7	SSG1P-3-V3-07	Pressure Release Knob
8	SSG1P-3-V3-08	Pressure Release Spring
9	SSG1P-3-V3-09	O-Ring (2 x 1.5mm)
10	SSG1P-3-V3-10	Pressure Pot Lid
11	SSG1P-3-V3-11	Suction/Fluid Tube
12	SSG1P-3-V3-12	Pressure Pot Lid Seal
13	SSG1P-3-V3-13	Pressure Pot
14	SSG1P-3-V3-14	Screw M2x4
15	SSG1P-3-V3-15	Stop Gasket
16	SSG1P-3-V3-16	Valve Stem (One-Way)
17	SSG1P-3-V3-17	Valve Body (One-Way)

Item	Part No.	Description
18	SSG1P-3-V3-18	Valve Return Spring (One-Way)
19	SCB412.S	Socket Cap Bolt M4 x 12mm
20	SSG1P-3-V3-20	E-Ring
21	SSG1P-3-V3-21	Airflow Adjustment Knob
22	SSG1P-3-V3-22	Lock Nut
23	SSG1P-3-V3-23	Airflow Adjustment Seat
24	SSG1P-3-V3-24	Airflow Adjustment Spring Seat
25	SSG1P-3-V3-25	Airflow Adjustment Spring
26	SSG1P-3-V3-26	Valve Gasket
27	SSG1P-3-V3-27	Valve Seat Assembly
28	SSG1P-3-V3-28	Valve Spool Seat
29	SSG1P-3-V3-29	Valve Spool
30	SSG1P-3-V3-30	Spool Reset Spring
31	SSG1P-3-V3-31	Adaptor/Connector
32	SSG1P-3-V3-32	Gauge/Valve Body
33	SSG1P-3-V3-33	Pressure Gauge
34	SSG1P-3-V3-34	Gasket for Gauge/Valve Body

NOTE: It is our policy to continually improve products and as such we reserve the right to alter data, specifications and component parts without prior notice. There may be alternative versions of this product, please contact us should you require this information.

IMPORTANT: No liability is accepted for incorrect use of product. Spare parts must be fitted by a competent person

WARRANTY: Guarantee is 12 months from purchase date, proof of which will be required for any claim.